



## SILVER ECONOMY SERIES

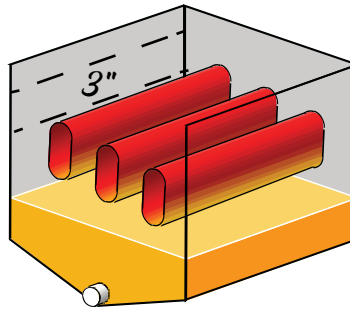
VARIATION FOR YOUR APPLICATION.



# FINDING THE RIGHT FIT

## 35AS

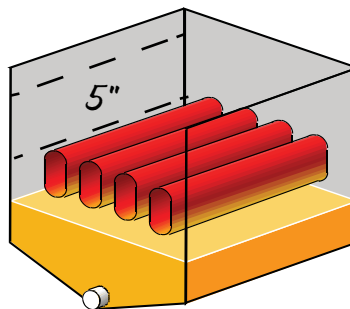
- 14" x 14" stainless tank
- 2" to 3.5" (5cm to 8cm) cook depth
- 35-40 lbs oil capacity (19-21 liters)
- Three tube/burner design with 4" burner and 6" tube
- 90K BTU total



Moderate volume general purpose frying - lower BTU and shallow cook depth.

## 40AS

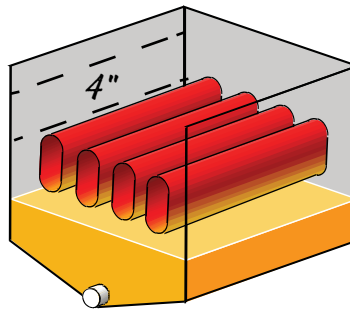
- 14" x 14" stainless tank
- 4" to 6" (10cm to 15cm) cook depth
- 40-45 lbs oil capacity (19-21 liters)
- Four tube/burner design with 4" burner and 4" tube
- 107K BTU total



Moderate to high volume general purpose frying - higher BTU and extra deep cook depth.

## 45AS

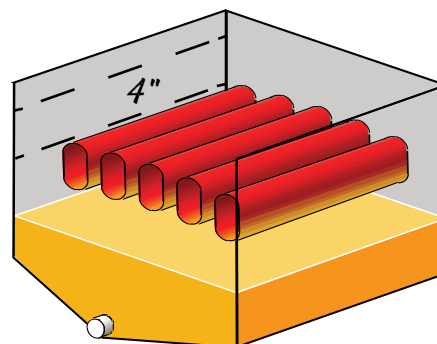
- 14" x 14" stainless tank
- 3" to 5" (8cm to 13cm) cook depth
- 40-45 lbs oil capacity (19-21 liters)
- Four tube/burner design with 6" burner and 6" tube
- 122K BTU total



High volume, fast recovery general purpose frying - higher BTU, bigger burners/tubes and good cook depth.

## 70AS

- 18" x 18" stainless tank
- 3" to 5" (8cm to 13cm) cook depth
- 65-80 lbs oil capacity (31-39 liters)
- Five tube/burner design with 4" burner and 4" tube
- 150K BTU total



High capacity all-purpose frying for various types of food - highest BTU and more volume with good cook depth.

# FRYER COMPARISON

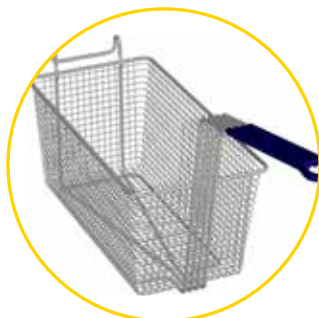
## ADDITIONAL FEATURES

- **Spark Ignitor** - (optional) makes lighting the pilot easier and safer
- **Side Splash**
- **Mesh Tube Screens**

- **Fish Grids**
- **Tank Covers**
- **Casters**
- **Channel (Joining) Strips**
- **Anets Approved Gas Hoses**



Full Baskets



Twin Baskets



Triple Baskets

All baskets available in regular or fine mesh.

Model#	35AS	40AS	45AS	70AS
Oil Capacity (lbs)	35-40	40-45	42-50	65-80
BTU Rating	90,000	107,000	122,000	150,000
Cook Depth (inches)	2.0-3.5	4 - 6	3-5	3.25 - 5.0
Burner Type	Cast Iron - 4" *	Cast Iron - 4"	Cast Iron - 6"	Cast Iron - 4"
# of Tubes	3	4	4	5
Tube Height	6"	4"	6"	4"
Millivolt Control	yes	yes	yes	yes
Tank Warranty	1 Year	1 Year	1 Year	1 Year

\* Depends on construction; Domestic construction uses 4" burner, CE construction uses 6" burner



## SILVER ECONOMY SERIES

VARIATION FOR YOUR APPLICATION.



[P] 1.603.225.6684 [F] 1.603.225.8472

Administrative Office: 553 Route 3A Bow, NH 03304

Mail: P. O. Box 501, Concord, NH 03302

Freight: 39 Sheep Davis Rd, Pembroke, NH 03275

[www.anets.com](http://www.anets.com)