



CONVEYOR OVEN

C O N V E Y O R

Perfect way to toast sandwiches, bread and bagels with precision in compact footprint...

- Quartz infrared heat
- Adjustable conveyor speed
- 12" wide conveyor belt
- Pull-out bottom crumb tray
- Full or partial power for perfect toasting
- Free-standing with adjustable feet
- Stainless steel construction
- Pilot lights
- Easy to clean

Conveyor Oven



Conveyor Toaster



VOYAGER

CT540

208/240V



FEATURES:

- Independent top and bottom heat activation
- Front load/unload or front load/rear unload configurations
- 3¹/₄"H entry x 12" wide
- Ideal for toasting all types of bread and bagels

ODYSSEY

CT3000

208/240V



FEATURES:

- Reversible/remote control panel
- Upper warming sheet
- Adjustable entry/exit opening from 1¹/₄" to 3¹/₂" high x 12" wide
- Half or full power setting
- Ideal for toasting and heating all types of sandwiches

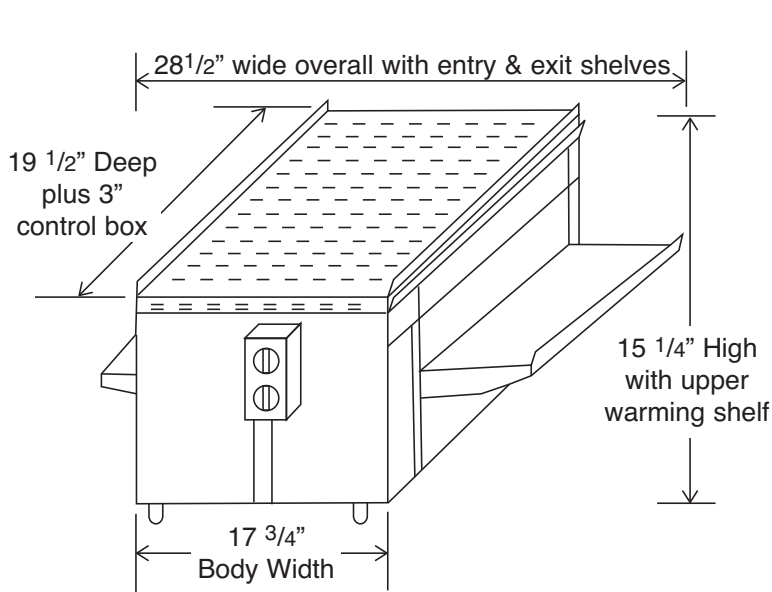


765 WESTMINSTER STREET PROVIDENCE, RI 02903
TEL: (401)273-3300 FAX: (401)273-3328 E-mail: sales@equipex.com
www.equipex.com

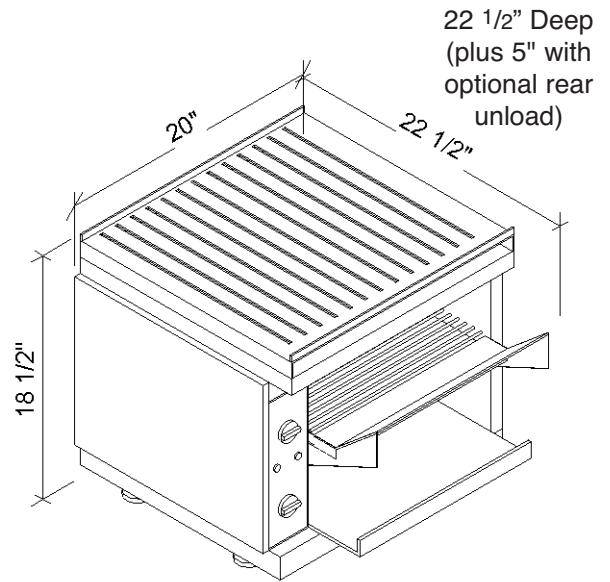


CONVEYOR OVEN AND TOASTER

Perfect way to toast sandwiches, bread and bagels with precision in a compact footprint...



CT3000



CT540

SPECIFICATIONS

INSTALLATION CLEARANCE: 2" EACH SIDE AND BACK

| MODEL | ELECTRICAL | DIMENSIONS W x D x H | WORK SURFACE | SHIPPING WEIGHT | NEMA PLUG |
|--------|------------------------------------|---|--|--------------------|--------------|
| CT3000 | 208/240V, 1PH 3.4KW, 15/17 Amps | 28 1/2"W x 19 1/2"D x 15 1/4"H (note: add 3" to depth for control box) | 12" wide conveyor x 1 1/4" to 3 1/2" high | 55lbs | 6-20P |
| CT540 | 208/240V, 1PH 3.0KW, 13/15 Amps | 18"W x 21"D x 14"H (note: add 13" to depth for rear unload) | 12" wide conveyor x 3 1/4" high | 55lbs | 6-20P |

GRILLING CAPACITY

| MODEL | SLICES/HOUR* | AVERAGE TIME |
|--------|--------------|---------------|
| CT3000 | 540 | 1 1/2" Minute |
| CT540 | 540 | 1 1/2" Minute |

* Estimated per hour; may vary with actual sizes and types of food products

WARRANTY: Limited one year parts and labor



765 WESTMINSTER STREET PROVIDENCE, RI 02903
TEL: (401)273-3300 FAX: (401)273-3328 E-mail: sales@equipex.com
www.equipex.com