



SA VENT CONCEPT

SMALL APPLIANCE VENTILATION SYSTEM

Finally – the freedom to locate small cooking appliances where you want them!

- The SA Vent is a countertop ventilation system for small appliances located **outside** the range of a kitchen ventilation hood.
- SA Vents go **anywhere** with access to standard 120V power.
- SA Vent **removes** smoke, grease-laden air, moisture and odors, improving the environment for kitchen staff and patrons.
- Special air capture hoods designed to handle odor, grease and smoke produced by different appliances.

The SA Vent line of countertop ventilation systems provides flexibility in foodservice equipment layout.

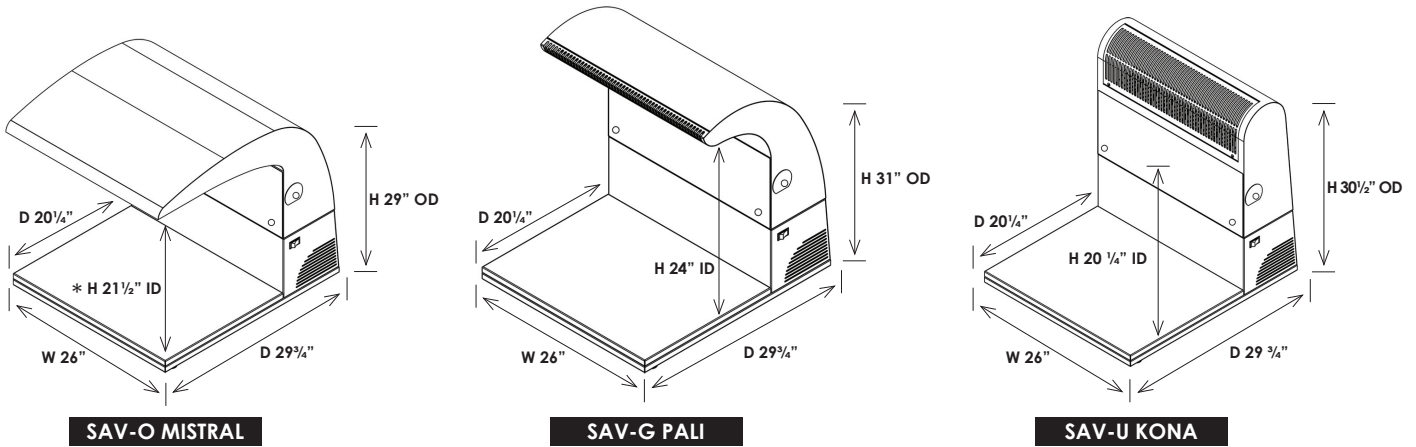


- Cleansed air recirculates through the base.
- Easy cleaning: **no tools** needed to access and remove filters.
- **Safety feature:** filters and front panel must be in place for unit to operate.
- No installation. Minimal assembly required.
- Applications: convection or bake ovens, panini grills, toasting equipment, pizza ovens, crepe makers, waffle bakers, induction cookers, steamers and similar Type 2 cooking equipment.

Patent # 8522770, 9335058
Patent Pending



100 NIANTIC AVENUE; SUITE 104 PROVIDENCE, RI 02907
TEL: (401)273-3300 FAX: (401) 273-3328 E-mail: sales@equipex.com
www.equipex.com



* Higher profile optional

SPECIFICATIONS

MODEL	DIMENSIONS (HWD)	CAPACITY	ELECTRICAL	NEMA PLUG	HVAC	SHIP WEIGHT
SAV-O Mistral* UL/CSA/NSF/ EPA202	29" x 26" x 29 ³ / ₄ " Base 26"W x 20 ¹ / ₄ "D	Holds up to 150 lbs & dimensions up to 26"W by 20"D (optional platform extensions available)	120V, 5.5 amps, 350 watts, single phase. 6 foot power cord. Cord exit located in right rear side of base.	5-15P	500 CFM	180 lbs Must be shipped common carrier.
SAV-G Pali* UL/CSA/NSF/ EPA202	31" x 26" x 29 ³ / ₄ " Base 26"W x 20 ¹ / ₄ "D					
SAV-U Kona UL/CSA/NSF	30 ¹ / ₂ " x 26" x 29 ³ / ₄ " Base 26"W x 20 ¹ / ₄ "D					

Clearances: 2" at right and left sides; 1" at rear – allow 8" for removal of grease cup on right.
Height of base with feet: 4 1/4"

CONSTRUCTION

- 304 Stainless Steel, #4 finish
- Filters removable from the front of the equipment:
 1. Angled baffle grease filter, cleanable and reusable
 2. Electrostatic material particulate filter to remove smaller particles in the air – disposable
 3. Activated charcoal filter to treat smoke and odors – disposable
- Removable grease collection container

Installation

No installation. Minimal assembly required. Unit must be placed on level surface. Unit furnished with adjustable feet.

Warranty

One year limited parts and labor (except filters)

Approvals

These products are approved to UL Safety, CSA and NSF Sanitation standards.

*Mistral and Pali models are certified to meet EPA 202 test method in accordance with NFPA 96.

Check local ordinances. Local codes will prevail.

Options

- Left Hand Configuration
- Front and Side Platform Extensions
- Height Extensions
- Pre-Piped Anusl System (UL300)

Patent # 8522770, 9335058

Patent Pending



100 NIANTIC AVENUE; SUITE 104 PROVIDENCE, RI 02907
TEL: (401)273-3300 FAX: (401) 273-3328 E-mail: sales@equipex.com
www.equipex.com