



# WAFFLE BAKER

## CONCEPT

### ELECTRIC WAFFLE BAKER

*Heavy duty waffle bakers create evenly baked, great tasting, crispy golden-brown waffle  
Watch your waffles raise your profits all day long*

- Fine grain cast iron plates for baking to perfection
- Heavy duty top plate assures even rising without clips, floating hinges or turning
- Special design of top and bottom plate outer rims minimizes batter overflow
- Waffle patterns: Brussels, Liege, Round, Cone
- Waffle-on-a-stick patterns: Silo, Cypress
- Powerful heating elements for fast preheat and recovery are thermostatically controlled up to 570°F
- Each heating zone is independently controlled with lighted on/off switch, pilot and temperature indicator lights
- Stainless steel base for lasting service
- Wraparound removable stainless steel drip tray for easy cleaning
- Ideal for breakfast, snacks and dessert or walk around foods



Brussels (shown)

## WAFFLES-ON-A-STICK

### CYPRESS



### SILO



## SIERRA

GES/1 - 120 V

GES - 208/240 V



Cone (shown)

Options: 5-min timer with bell signal



Liege (shown)

## TWIN PEAKS

GED

208/240 V



Round Belgian (shown)

Options:  
two (2) 5-min timers  
with bell signal

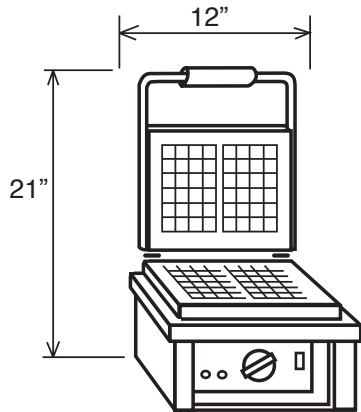


100 NIAN TIC AVENUE; SUITE 104 PROVIDENCE, RI 02907  
TEL: (401)273-3300 FAX: (401)273-3328 E-mail: sales@equipex.com  
www.equipex.com

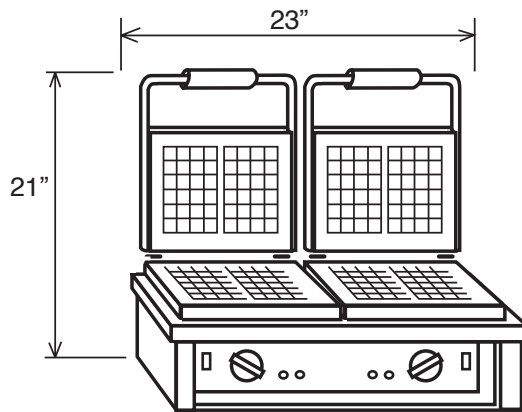




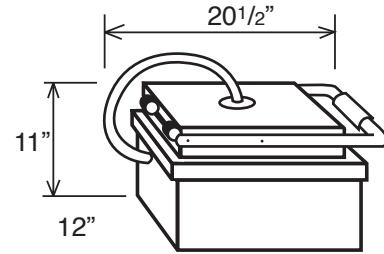
# ELECTRIC WAFFLE BAKERS



**GES (single)**



**GED (double)**



INSTALLATION CLEARANCE: 2" EACH SIDE

## PLATE PATTERNS AVAILABLE

(please, specify when ordering)

| GES (Brussels) | GES (Liege) | GES (Round) | GES (Cone) | GES (Silo) | GES (Cypress) |
|----------------|-------------|-------------|------------|------------|---------------|
|                |             |             |            |            |               |

## SPECIFICATIONS

| MODEL | DESCRIPTION | ELECTRICAL   | DIMENSIONS         | SHIPPING WEIGHT | NEMA PLUG        |
|-------|-------------|--|--------------------|-----------------|------------------|
| GES   | Single      | 120V, 1.75KW, 14 Amps<br>208/240V, 1PH, 1.6KW, 7/8Amps | 12"Wx20 1/2"Dx21"H | 50 lbs          | 5-15 P<br>6-15 P |
| GED   | Double      | 208/240V, 1PH, 3.3KW<br>12/16Amps                      | 23"Wx20 1/2"Dx21"H | 145 lbs         | 6-20 P           |

## BAKING CAPACITY (approximately 2-3 minute cycle)

| model \ type | Brussels             | Liege            | Round                | Cone          | Silo      | Cypress          |
|--------------|----------------------|------------------|----------------------|---------------|-----------|------------------|
| Waffle size  | 7 1/2"x4 1/4"x1 1/4" | 6 1/4"x4"x1 1/4" | 7" diameter x 1 1/4" | 9 3/4"x9 3/4" | 1 1/2"x6" | 8 3/4"x2 1/4"x1" |
| SINGLE       | 2                    | 2                | 1                    | 1             | 4         | 4                |
| DOUBLE       | 4                    | 4                | 2                    | 2             | 8         | 8                |

\*All equipment must be plugged into a dedicated circuit of the proper ratings.

**WARRANTY: Limited one-year parts and labor**



100 NIANTIC AVENUE; SUITE 104 PROVIDENCE, RI 02907  
 TEL: (401)273-3300 FAX: (401)273-3328 E-mail: sales@equipex.com  
 www.equipex.com