



The clean solution



M-iClean US

HOT WATER SANITIZING UNDERCOUNTER GLASSWASHER

Special Features:

- **Illuminated door handle** - Provides visual cues to the operator on the machine operating status. The color of the illumination will show the operating state of the machine (ready for operation, washing, or displaying an important message)
- **Glass touchscreen display** - Provides a range of information in plain text, including wash and rinse tank temperatures, selection of different cycle times, a graphical progress bar, operating state, and service information
- **M-iClean Filter** - Food soil is continually strained from the wash water by the two-stage M-iClean Filter. Captured soil is removed at the end of each cycle., improving washing results and minimizing both detergent use and manual cleaning
- **Blue Touch color coding** - Components that require manual cleaning are colored blue for intuitive operation and easier staff training
- **Auto Safe** - The internal booster heater is automatically regulated to ensure proper sanitizing temperatures, regardless of the incoming water temperature
- **Soft Start** - The wash water is pumped at a reduced pressure for the first few seconds of the wash cycle, protecting the ware from being moved by a sudden burst of pressure
- **Pumped Final Rinse** - An internal rinse pump ensures that the final rinse pressure is constant, for efficient operation and consistent results
- **Leak Detection System** - Stops machine operation if an internal leak is detected

Standard Features:

- **Designed for use with 15-3/4" (400mm) dish and glass racks**
- Capacity **37** racks per hour
- Water consumption **0.55** gallons (2.08 liters) per rack
- Double-wall construction improves energy efficiency and provides a cooler exterior
- Variable programmed time cycles - 95, 150 and 210 seconds
- Built-in liquid detergent and rinse aid pumps
- Detergent empty indicator
- Easily-accessed pump priming and delimiting modes
- Machine shutdown automatically rinses the wash chamber with hot, fresh water to ease cleaning, then drains the machine
- Stainless steel non-clogging combination wash/rinse arms provide simpler disassembly for cleaning
- Sloped ceiling is safer for the user and minimizes dripping of soiled water onto sanitized ware
- 3/4 Hp (0.56 kW) wash pump
- 304 and 316Ti stainless steel construction for corrosion resistance
- Type A air gap system eliminates water leaks and maintenance associated with vacuum breaker
- Pumped drain for both floor and wall drain applications

Options:

- Inline slide base - adds 1" (25mm) to height
- Framed base with individual legs - adds 6" (152mm) to height
- Flush-paneled stainless steel base - adds 4-3/4" (120mm) to height
- NEMA plug kit (installed by others - incl. receptacle and plate). 208-230/60/1 = NEMA 6-50P; 208-230/60/3 = NEMA 15-40P
- Drain water tempering kit (installed by others)

Technical Specifications:

Maximum Capacity 37 racks/hour

Minimum Cycle Time (Seconds):

Wash Cycle	80.6
Dwell / Drain Time	9.0
Rinse Cycle	5.4
Total Cycle	95.0

Water Requirements:

Incoming Water Temperature (Optimum)	140°F (60°C)
Recommended Water Hardness	1-3 grains per U.S. gal.
Water Consumption per Rack	0.55 gals. (2.08 liters)
Water Consumption per Hour (max.)	20.35 gals. (77.03 liters)
Flow Pressure	8.7-72.5 psi (0.6-5.0 bars)
Incoming Waterline	3/4" garden hose
Drain line size	7/8" ID, 1-1/8" OD flexible hose
Maximum drain flow rate	5.3 gals. (20.0 liters) per minute

Required Operating Temperatures:

Wash (Minimum)	150°F (66°C)
Rinse (Minimum)	180°F (82°C)

Tank Capacities:

Wash Tank	2.0 gals. (7.6 liters)
Booster Heater	1.8 gals. (7.0 liters)

Electrical Requirements:

Wash Tank Heat	2.04 kW @ 208V, 2.5 kW @ 230V
Booster Heater	3.68 kW @ 208V, 4.5 kW @ 230V
Wash Pump	0.74 hp (0.55 kW)
Final Rinse Pump	0.27 hp (0.20 kW)
Drain Pump	0.09 hp (0.07 kW)

Electrical supply	Peak load ampacity	Min. supply circuit ampacity	Max. breaker/disconnect
208-230V/60Hz/1 Ph	32.7A @ 208V	50A	50A
	35.6A @ 230V	50A	50A
208-230V/60Hz/3Ph	25.2A @ 208V	40A	40A
	27.4A @ 230V	40A	40A

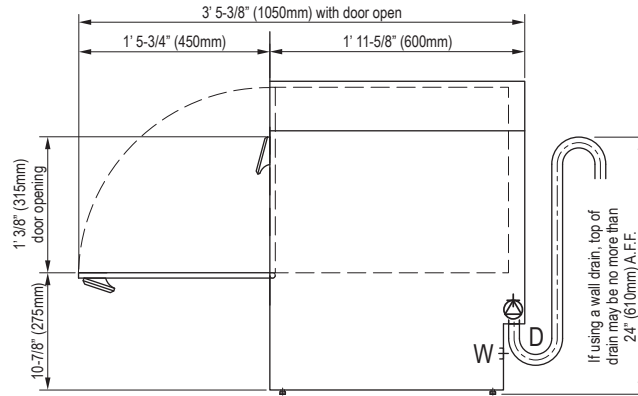
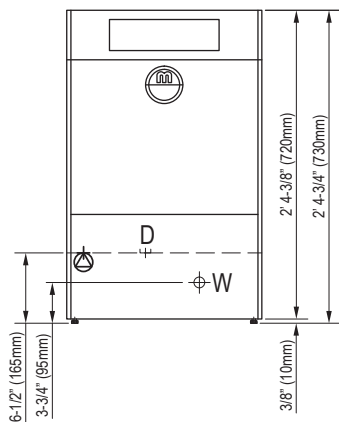
Dimensions:

Overall (W x D x H)	18-1/8" x 23-5/8" x 28-3/4" (460 x 600 x 730mm)
Inside Clearance Height	12-3/8" (315mm)
Wall Clearance	Rear 1" (25mm) min.

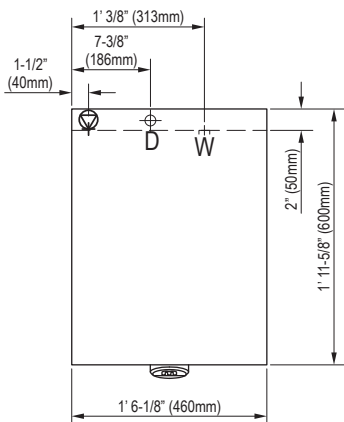
Machine / Shipping Details:

Shipping Weight	154 lbs. (70 kg)
Shipping Size (W x D x H)	27-5/8" x 27-5/8" x 36-5/8" (700 x 700 x 930mm)

Dimensions



All dimensions from floor +/- 1/2" (12mm) due to adjustable feet.



Electrical connection

SO cord, 7' 2-5/8" (2.2m) long, provided at lower rear of machine, to be routed to local circuit breaker/disconnect by electrical contractor. If use of SO cord is not permitted, it may be removed by electrical contractor for direct electrical connection (terminal block is located behind rear panel). Adequate slack in the wiring should be provided to allow the machine to be moved for servicing.



Fresh water connection

Requires 3/4" garden hose supply connection. Supplied flexible stainless steel hose is 6' 6-3/4" (2m) long, and includes Y-strainer with 3/4" female garden hose connection.



Drain connection

Requires indirect connection to 1-1/2" (38mm) drain pipe (wall or floor). Supplied hose is 5' 3" (1.6m) long and may be cut to appropriate length at time of installation to allow machine to be repositioned for servicing.

Specification

M-iClean US Item Number _____

Unit will be an NSF and cETL-listed MEIKO US hot water sanitizing undercounter glasswasher, intended for use with 15-3/4" (400mm) dishracks.

Operating voltage will be:

_____ 208-230V / 60Hz / 1Ph _____ 208-230V / 60Hz / 3Ph

Unit will have three user-selectable cycles (of 95, 150 and 210 seconds) and will utilize 0.55 gallons (2.08 liters) of fresh rinse water per cycle.

Unit will include an illuminated door handle to provide visual feedback to the operator on machine status. The color of the illumination will show the operating state of the machine (ready for operation, washing, or displaying an important message).

Unit will feature a glass touch screen control panel and display. Display will provide customized graphical and text information based on the machine operating mode, including temperatures, machine status, service diagnostics and machine logs. Display will be capable of displaying information in multiple selectable languages, to include English, French, Spanish and German.

Unit will have integral M-iClean Filter system to automatically filter and remove soil from the wash tank during the washing process.

Note: All specifications are subject to change without notice based on MEIKO's dedicated product improvement program. This glasswasher is compliant with the Reduction of Lead in Drinking Water Act (2011) amendment to the Safe Drinking Water Act (SDWA).

Final rinse water will be delivered via an integrated final rinse pump to ensure consistent results and water consumption, regardless of variations in water supply pressure.

Unit will automatically extend wash cycle if required to permit final rinse water to heat to a minimum sanitizing 180°F (82°C), regardless of incoming water temperature.

Wash pump will permit differing water pressures for each selectable cycle to accommodate varying amounts of soiling.

Unit will incorporate a soft start feature, building wash pressure slowly, to reduce risk of chipped or broken ware.

Unit will incorporate features to stop operation and turn off fill valve if an internal leak is detected.

Unit will include built-in liquid detergent and rinse aid pumps.

Unit will include a detergent sensor with a message in plain text on the machine display indicating if the detergent is empty.

Unit will include user-selectable delimiting and pump priming modes.

Unit will feature double-wall, insulated stainless steel construction on all exterior panels to retain heat inside the machine, conserve energy and provide a cool-to-the-touch exterior.

Unit will include Blue Touch color-coding of components that require frequent manual cleaning for simpler staff training.

Unit will include one coated wire glass rack and one combination flat rack with removable plate insert peg adapters.

