

# NBR

QUALITY FOOD SERVICE EQUIPMENT



**New Plumbing  
Accessories, Faucets,  
Shelving, and More!**

**FULLY UPDATED TO  
INCLUDE OUR NEWEST  
PRODUCT LINES AS WELL  
AS UPGRADED EXISTING  
MODELS!!!**

## 2024 PRODUCT GUIDE

(609) 642 - 8389 \ [WWW.NBREQUIPMENT.COM](http://WWW.NBREQUIPMENT.COM) \ 10 ABEEL ROAD, CRANBURY, NJ 08512

# TABLE OF CONTENTS

## **Dish Tables**

*Pages 4-16*



*Clean  
Soiled  
Undercounter  
Corner with 3 Bowls  
Straight with 3 Bowls  
Dishtable Undershef **New!***

## **Dish Room Add-Ons**

*Pages 17-21*



*Pre-Rinse Baskets  
Sorting Shelves  
Mobile Soak Sinks  
Free-Standing Service Sinks*

## **Mop Sinks**

*Pages 22-25*



*Floor Mount  
Flush Floor Mount  
Mop Sink Cabinets*

## **Troughs**

*Page 26*

*Floor  
Beverage*

## **Sinks - NSF**

*Pages 27-65*



*One Bowl  
Two Bowls  
Three Bowls  
Four Bowls  
Corner  
Hand  
Mobile  
Multipurpose*

## **Sink Bowls - NSF**

*Pages 66-71*

*Drop-In  
Welded*

## **Sinks - **NOT** NSF**

*Pages 72-75*

*One Bowl  
Two Bowls  
Three Bowls*

## **Plumbing & Sink Accessories**

*Pages 76-83*



*Bowl Covers  
Removable Splash  
**New!**  
Faucets  
**New!**  
Twist Handle Drain Bracket*



## Worktables

Pages 84-113



Flat Top  
1-1/2" Turn Up  
5" Backsplash  
Cross-Braced  
Height Adjustable  
with Sink Bowls  
Enclosed Base  
Filler Tables

## Stands

Pages 114-118

## Cabinets

Pages 119-123

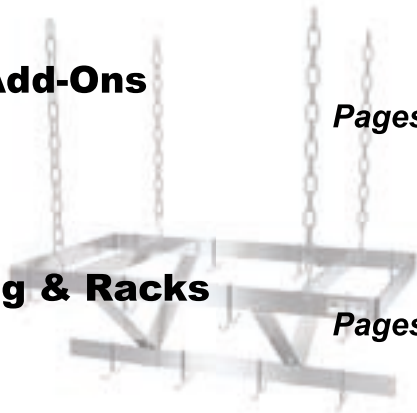


Equipment  
Machine  
Mixer

Corner  
Dish  
Wall

## Table Add-Ons

Pages 124-127



Casters  
Cross-Bracing  
Drawers  
Parts

## Shelving & Racks

Pages 128-141

Refrigeration Mounted  
Table Mounted  
Microwave  
Wall  
Pot Racks  
Wire Shelving

**New!**

## Underbar

Pages 142-170



Sinks  
Ice Bins  
Glass Cabinets  
Liquor Display  
Blender Stations  
Mixology Units  
Drainboards  
Bottle Wells  
Speed Rails

## Terms & Conditions

Page 171

## Model Number Glossary

Pages 172-176

*In NBR's pursuit to provide our customers with the latest in product innovations, the information contained within may not be totally current. Neither can NBR be responsible for any printing or typographical errors. If you are in doubt, please feel free to check out our website or call customer service at (609) 642-8389 ext. 109.*

# WELCOME TO NBR!

Headquartered in Central New Jersey, NBR Equipment is your trusted and reliable source for quality commercial foodservice equipment.

## WHY CHOOSE US?

NBR Equipment is a booming foodservice equipment distribution company. Our employees form personal relationships with our sales representatives and customers, making the ordering process efficient and easy. We work directly with our manufacturer to provide a vast product base and various options to fit any of your business' needs. The products we offer are stainless steel, NSF-certified, unique in design, and multipurpose in functionality.

We specialize in stainless steel restaurant and bar equipment. Our product base is expanding all the time, adapting to the ever-changing market and customers' needs, so look out for NEW stickers at the top of new product pages.

At NBR Equipment, fostering meaningful customer relationships is at the heart of our mission. Our aim is to give industry leading support for our customers and vendors, offer competitive prices, and provide top quality products with quick delivery.

Our warehouse stays ASAP (As Stocked As Possible) to keep you equipped and your projects moving forward smoothly. If you have any questions regarding stock status of an item you're looking for, give us a call!

## QUALITY FOODSERVICE EQUIPMENT

### QUESTIONS?

Customer Service Contacts:  
**(609) 642 8389 ext. 109**  
**csr@nbrequipment.com**

Follow us on Social Media to stay up to date on our latest products and all things foodservice!

Just search for ***NBR Equipment***



**(609) 642 - 8389 | SALES@NBREQUIPMENT.COM | WWW.NBREQUIPMENT.COM**

**NBR EQUIPMENT, 10 ABEEL ROAD, CRANBURY, NJ 08512**

# PREMIUM CLEAN DISH TABLE (RIGHT TO LEFT OPERATION)

DISH TABLES - CLEAN



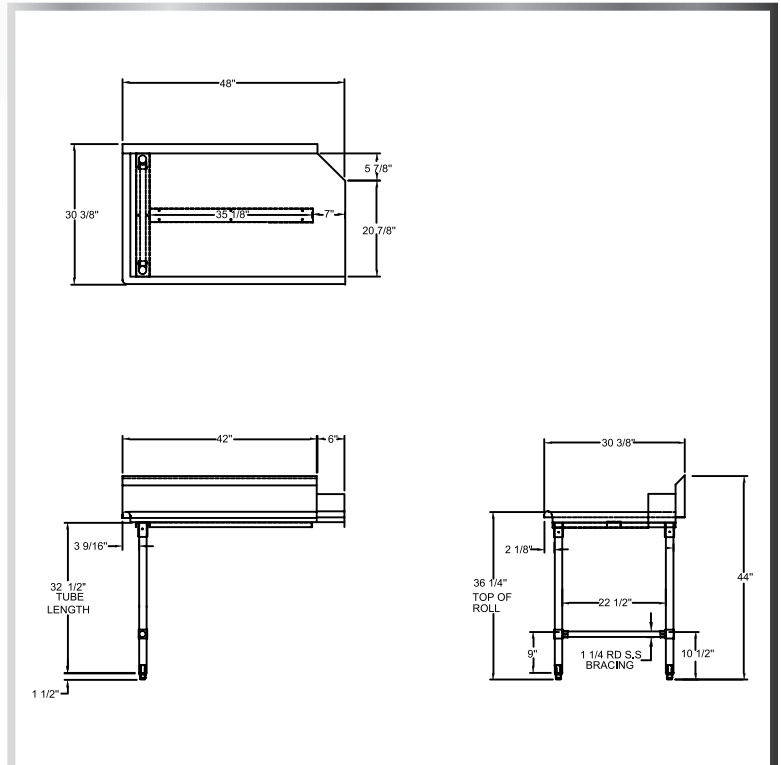
**\*See Page 16 For The  
NEW NBR Dish Table  
Undershelf (DTU)\***

## MATERIALS

- 16 Gauge 304 Stainless Steel Top
- Stainless Steel Legs and Bullet Feet

## FEATURES

- Straight Design
- 10" Backsplash with 2" Return to Wall At 45°
  - Rolled Front and Side Edges
- Adjustable Bracing and Bullet Feet



MODEL NUMBER	LENGTH	WIDTH
CDT-24L-16	24"	30-3/8"
CDT-26L-16	26"	30-3/8"
CDT-36L-16	36"	30-3/8"
CDT-48L-16	48"	30-3/8"
CDT-60L-16	60"	30-3/8"
CDT-72L-16	72"	30-3/8"
CDT-96L-16	96"	30-3/8"

(609) 642 - 8389 | SALES@NBREQUIPMENT.COM | WWW.NBREQUIPMENT.COM

NBR EQUIPMENT, 10 ABEEL ROAD, CRANBURY, NJ 08512



# PREMIUM CLEAN DISH TABLE (LEFT TO RIGHT OPERATION)



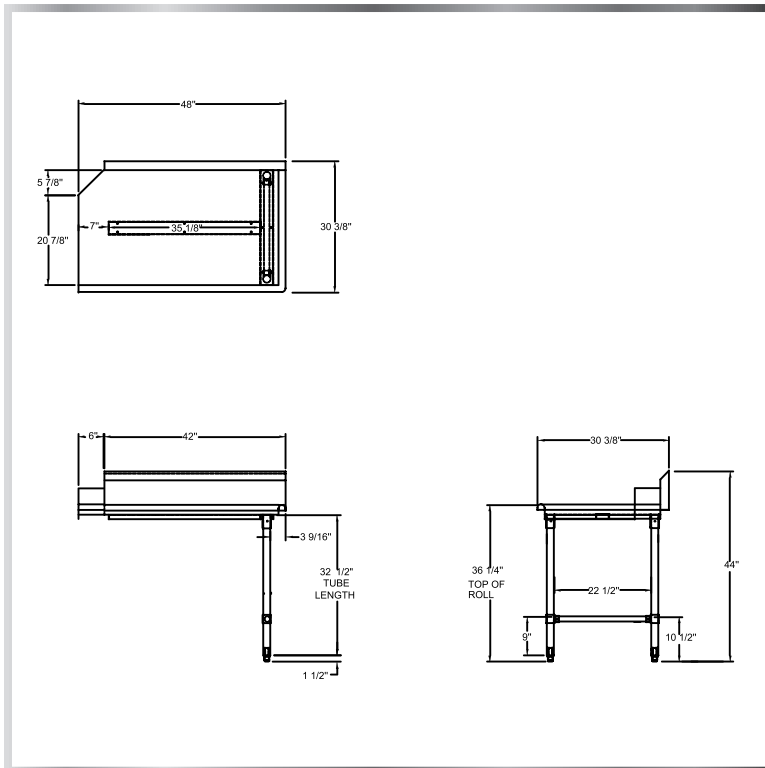
DISH TABLES - CLEAN

## MATERIALS

- 16 Gauge 304 Stainless Steel Top
- Stainless Steel Legs and Bullet Feet



**\*See Page 16 For The  
NEW NBR Dishtable  
Undershelf (DTU)\***



## FEATURES

- Straight Design
- 10" Backsplash with 2" Return to Wall At 45°
- Rolled Front and Side Edges
- Adjustable Bracing and Bullet Feet

MODEL NUMBER	LENGTH	WIDTH
CDT-24R-16	24"	30-3/8"
CDT-26R-16	26"	30-3/8"
CDT-36R-16	36"	30-3/8"
CDT-48R-16	48"	30-3/8"
CDT-60R-16	60"	30-3/8"
CDT-72R-16	72"	30-3/8"
CDT-96R-16	96"	30-3/8"

(609) 642 - 8389 | SALES@NBREQUIPMENT.COM | WWW.NBREQUIPMENT.COM

NBR EQUIPMENT, 10 ABEEL ROAD, CRANBURY, NJ 08512

# ECONOMY CLEAN DISH TABLE (RIGHT TO LEFT OPERATION)

DISH TABLES - CLEAN



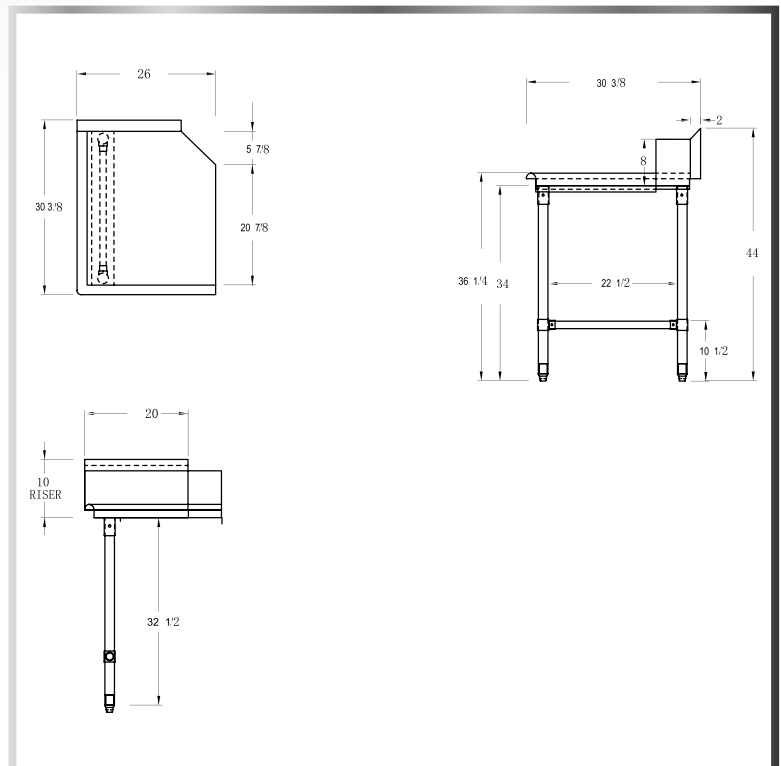
**\*See Page 16 For The  
NEW NBR Dish Table  
Undershelf (DTU)\***

## MATERIALS

- 18 Gauge 304 Stainless Steel Top
- Galvanized Legs and Gussets
- Plastic Bullet Feet

## FEATURES

- Straight Design
- 10" Backsplash with 2" Return to Wall At 45°
  - Rolled Front and Side Edges
- Adjustable Bracing and Bullet Feet



MODEL NUMBER	LENGTH	WIDTH
CDT-26L	26"	30-3/8"
CDT-36L	36"	30-3/8"
CDT-48L	48"	30-3/8"
CDT-60L	60"	30-3/8"
CDT-72L	72"	30-3/8"

(609) 642 - 8389 | SALES@NBREQUIPMENT.COM | WWW.NBREQUIPMENT.COM

NBR EQUIPMENT, 10 ABEEL ROAD, CRANBURY, NJ 08512

# ECONOMY CLEAN DISH TABLE (LEFT TO RIGHT OPERATION)



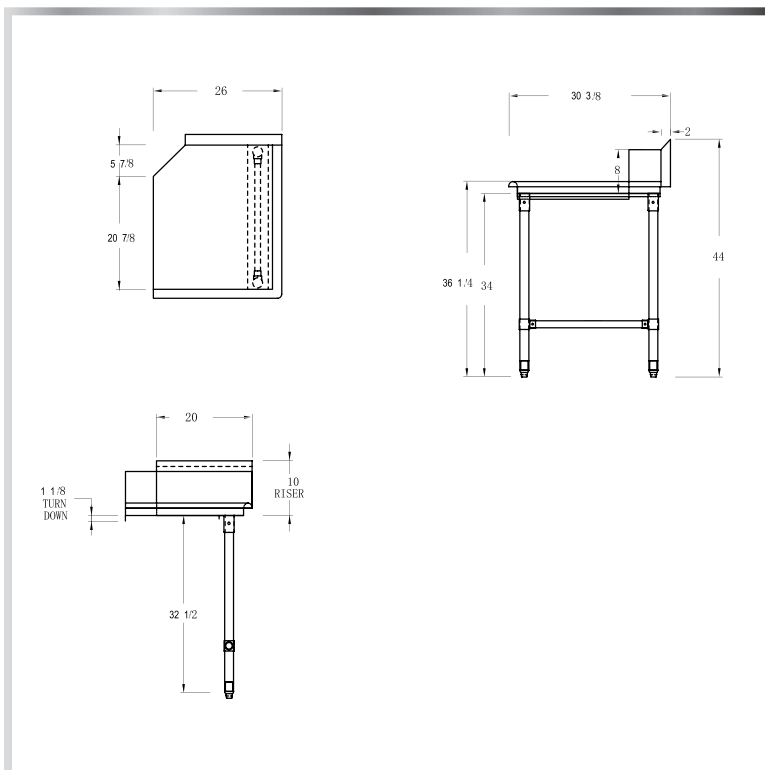
DISH TABLES - CLEAN

## MATERIALS

- 18 Gauge 304 Stainless Steel Top
  - Galvanized Legs and Gussets
  - Plastic Bullet Feet



**\*See Page 16 For The  
NEW NBR Dishtable  
Undershelf (DTU)\***



## FEATURES

- Straight Design
- 10" Backsplash with 2" Return to Wall At 45°
- Rolled Front and Side Edges
- Adjustable Bracing and Bullet Feet

MODEL NUMBER	LENGTH	WIDTH
CDT-26R	26"	30-3/8"
CDT-36R	36"	30-3/8"
CDT-48R	48"	30-3/8"
CDT-60R	60"	30-3/8"
CDT-72R	72"	30-3/8"

(609) 642 - 8389 | SALES@NBREQUIPMENT.COM | WWW.NBREQUIPMENT.COM

NBR EQUIPMENT, 10 ABEEL ROAD, CRANBURY, NJ 08512



# PREMIUM SOILED DISH TABLE (LEFT TO RIGHT OPERATION)

## DISH TABLES - SOILED



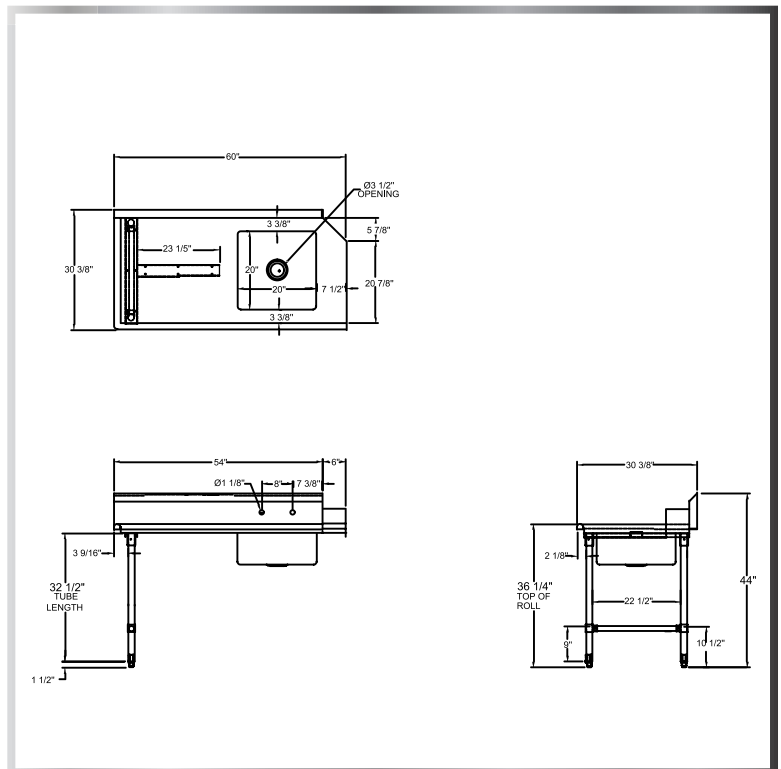
**Shown With  
Optional Dishtable  
Undershelf (DTU)...**  
**Refer to Page 16**

## MATERIALS

- 16 Gauge 304 Stainless Steel Top
- Stainless Steel Legs and Bullet Feet

## FEATURES

- Straight Design
- 10" Backsplash with 2" Return to Wall At 45°
- 8" On-Center Wall-Mounted Faucet Holes
  - Rolled Front and Side Edges
- One Deep Pre-Rinse Sink on Right Side
  - Adjustable Bracing and Bullet Feet
  - Drain Basket Included



Include a Faucet, Waste Drain, and More  
With Your Order!  
(See Pages 77-82)

MODEL NUMBER	BOWL SIZE L X W X H	LENGTH	WIDTH
SDT-26L-16	20" x 20" x 8"	26"	30-3/8"
SDT-36L-16	20" x 20" x 8"	36"	30-3/8"
SDT-48L-16	20" x 20" x 8"	48"	30-3/8"
SDT-60L-16	20" x 20" x 8"	60"	30-3/8"
SDT-72L-16	20" x 20" x 8"	72"	30-3/8"

(609) 642 - 8389 | SALES@NBREQUIPMENT.COM | WWW.NBREQUIPMENT.COM

NBR EQUIPMENT, 10 ABEEL ROAD, CRANBURY, NJ 08512

# PREMIUM SOILED DISH TABLE (RIGHT TO LEFT OPERATION)



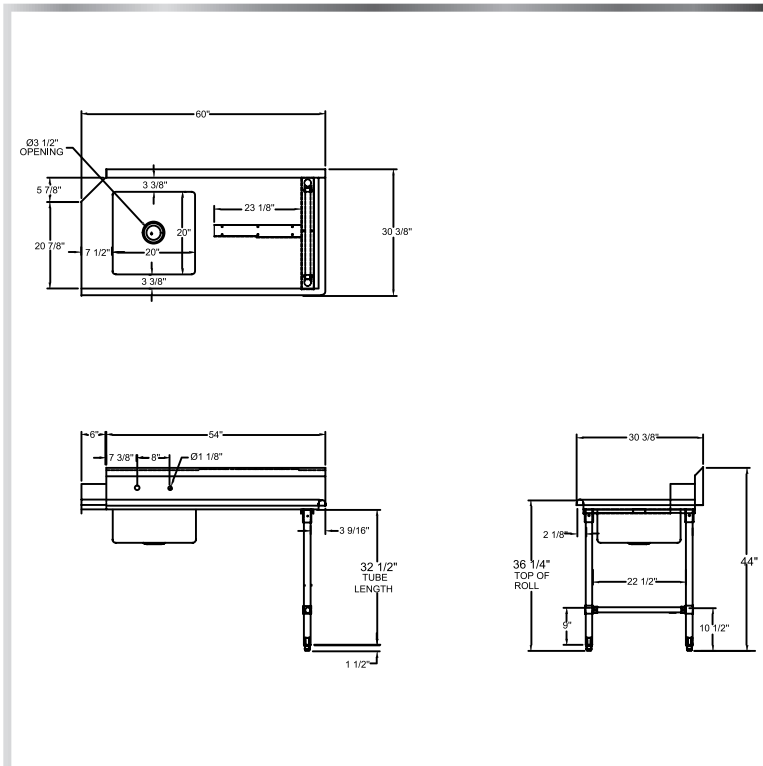
DISH TABLES - SOILED

## MATERIALS

- 16 Gauge 304 Stainless Steel Top
- Stainless Steel Legs and Bullet Feet



**Shown With**  
**Optional Dishtable**  
**Undershelf (DTU)...**  
**Refer to Page 16**



## FEATURES

- Straight Design
- 10" Backsplash with 2" Return to Wall At 45°
- 8" On-Center Wall-Mounted Faucet Holes
- Rolled Front and Side Edges
- One Deep Pre-Rinse Sink on Left Side
- Adjustable Bracing and Bullet Feet
- Drain Basket Included

Include a Faucet, Waste Drain, and More With Your Order!  
(See Pages 77-82)

MODEL NUMBER	BOWL SIZE L X W X H	LENGTH	WIDTH
SDT-26R-16	20" x 20" x 8"	26"	30-3/8"
SDT-36R-16	20" x 20" x 8"	36"	30-3/8"
SDT-48R-16	20" x 20" x 8"	48"	30-3/8"
SDT-60R-16	20" x 20" x 8"	60"	30-3/8"
SDT-72R-16	20" x 20" x 8"	72"	30-3/8"

(609) 642 - 8389 | SALES@NBREQUIPMENT.COM | WWW.NBREQUIPMENT.COM

NBR EQUIPMENT, 10 ABEEL ROAD, CRANBURY, NJ 08512

# ECONOMY SOILED DISH TABLE (LEFT TO RIGHT OPERATION)

## DISH TABLES - SOILED



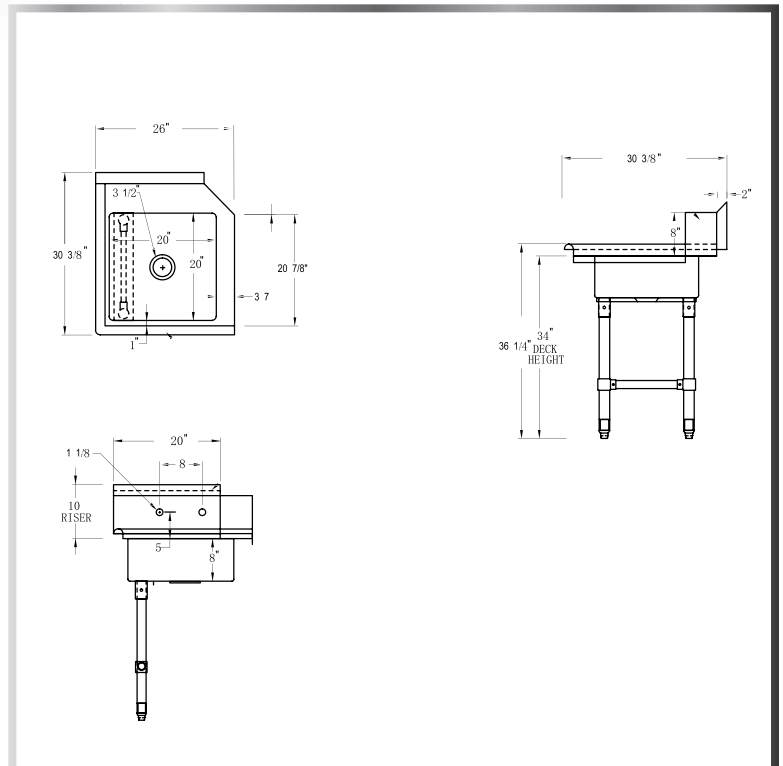
**\*See Page 16 For The  
NEW NBR Dishtable  
Undershelf (DTU)\***

## MATERIALS

- 18 Gauge 304 Stainless Steel Top
- Galvanized Steel Legs and Gussets
- Plastic Bullet Feet

## FEATURES

- Straight Design
  - 10" Backsplash with 2" Return to Wall At 45°
- 8" On-Center Wall-Mounted Faucet Holes
  - Rolled Front and Side Edges
- One Deep Pre-Rinse Sink on Right Side
  - Adjustable Bracing and Bullet Feet
  - Drain Basket Included



Include a Faucet, Waste Drain, and More  
With Your Order!  
(See Pages 77-82)

MODEL NUMBER	BOWL SIZE L X W X H	LENGTH	WIDTH
SDT-26L	20" x 20" x 8"	26"	30- <sup>3</sup> / <sub>8</sub> "
SDT-36L	20" x 20" x 8"	36"	30- <sup>3</sup> / <sub>8</sub> "
SDT-48L	20" x 20" x 8"	48"	30- <sup>3</sup> / <sub>8</sub> "
SDT-60L	20" x 20" x 8"	60"	30- <sup>3</sup> / <sub>8</sub> "
SDT-72L	20" x 20" x 8"	72"	30- <sup>3</sup> / <sub>8</sub> "

(609) 642 - 8389 | SALES@NBREQUIPMENT.COM | WWW.NBREQUIPMENT.COM

NBR EQUIPMENT, 10 ABEEL ROAD, CRANBURY, NJ 08512



# ECONOMY SOILED DISH TABLE (RIGHT TO LEFT OPERATION)



## DISH TABLES - SOILED

### MATERIALS

- 18 Gauge 304 Stainless Steel Top
- Galvanized Steel Legs and Gussets
  - Plastic Bullet Feet

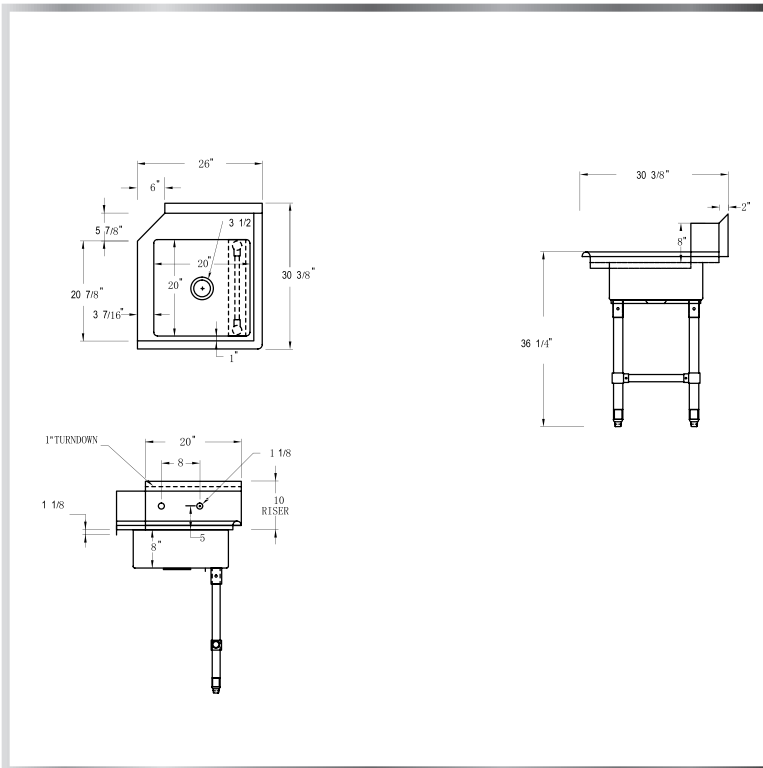


**\*See Page 16 For The  
NEW NBR Dishtable  
Undershelf (DTU)\***

### FEATURES

- Straight Design
- 10" Backsplash with 2" Return to Wall At 45°
- 8" On-Center Wall-Mounted Faucet Holes
- Rolled Front and Side Edges
- One Deep Pre-Rinse Sink on Left Side
- Adjustable Bracing and Bullet Feet
- Drain Basket Included

Include a Faucet, Waste Drain, and More  
With Your Order!  
(See Pages 77-82)



MODEL NUMBER	BOWL SIZE L X W X H	LENGTH	WIDTH
SDT-26R	20" x 20" x 8"	26"	30-3/8"
SDT-36R	20" x 20" x 8"	36"	30-3/8"
SDT-48R	20" x 20" x 8"	48"	30-3/8"
SDT-60R	20" x 20" x 8"	60"	30-3/8"
SDT-72R	20" x 20" x 8"	72"	30-3/8"

(609) 642 - 8389 | SALES@NBREQUIPMENT.COM | WWW.NBREQUIPMENT.COM

NBR EQUIPMENT, 10 ABEEL ROAD, CRANBURY, NJ 08512

# UNDERCOUNTER SOILED DISH TABLE (LEFT TO RIGHT OPERATION)

DISH TABLES - UNDERCOUNTER

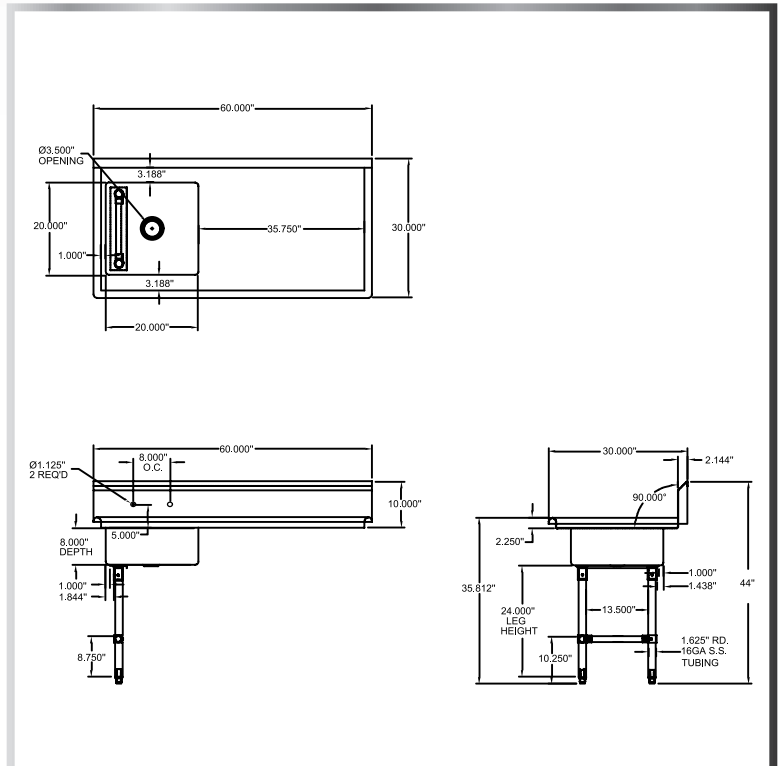


## MATERIALS

- 18 Gauge 304 Stainless Steel Top
- Galvanized Legs and Bracing
- Plastic Bullet Feet

## FEATURES

- Straight Design
- 10" Backsplash with 1" Return to Wall At 45°
- 3/4" Turned Down Rear Lip
- 8" On-Center Wall-Mounted Faucet Holes
- Drain Basket Included



Include a Faucet, Waste Drain, and More  
With Your Order!  
(See Pages 77-82)

MODEL NUMBER	BOWL SIZE L X W X H	LENGTH	WIDTH
UDT-50L	20" x 20" x 8"	50"	30"
UDT-60L	20" x 20" x 8"	60"	30"

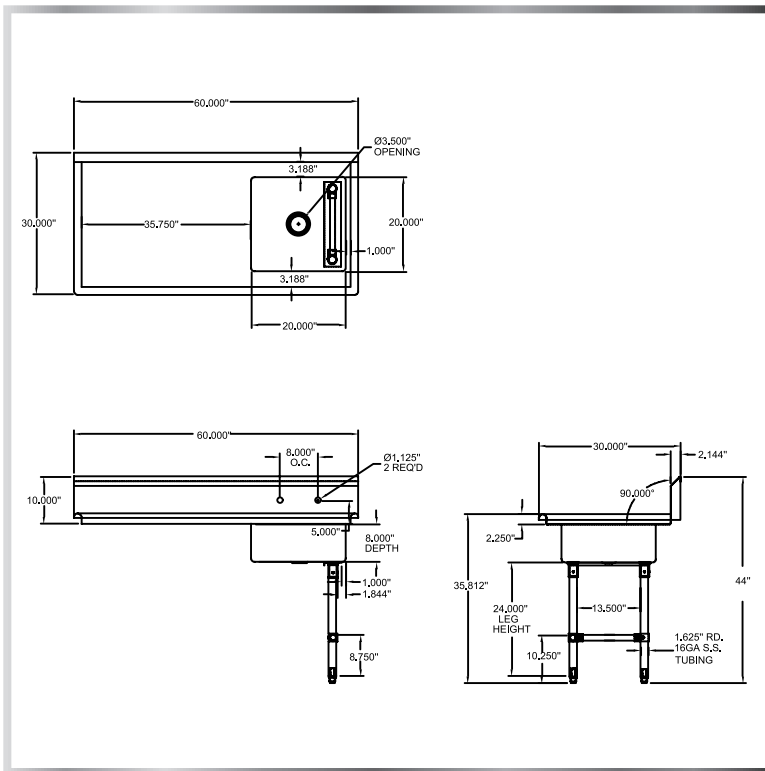
# UNDERCOUNTER SOILED DISH TABLES (RIGHT TO LEFT OPERATION)

DISH TABLES - UNDERCOUNTER



## MATERIALS

- 18 Gauge 304 Stainless Steel Top
  - Galvanized Legs and Bracing
  - Plastic Bullet Feet



## FEATURES

- Straight Design
- 10" Backsplash with 2" Return to Wall At 45°
- 3/4" Turned Down Rear Lip
- 8" On-Center Wall-Mounted Faucet Holes
- Drain Basket Included

Include a Faucet, Waste Drain, and More  
With Your Order!  
(See Pages 77-82)

MODEL NUMBER	BOWL SIZE L X W X H	LENGTH	WIDTH
UDT-50R	20" x 20" x 8"	50"	30"
UDT-60R	20" x 20" x 8"	60"	30"

(609) 642 - 8389 | SALES@NBREQUIPMENT.COM | WWW.NBREQUIPMENT.COM

NBR EQUIPMENT, 10 ABEEL ROAD, CRANBURY, NJ 08512



# 3-BOWL 2-DRAINBOARD CORNER DISH TABLE

DISH TABLES - 3 BOWL CORNER

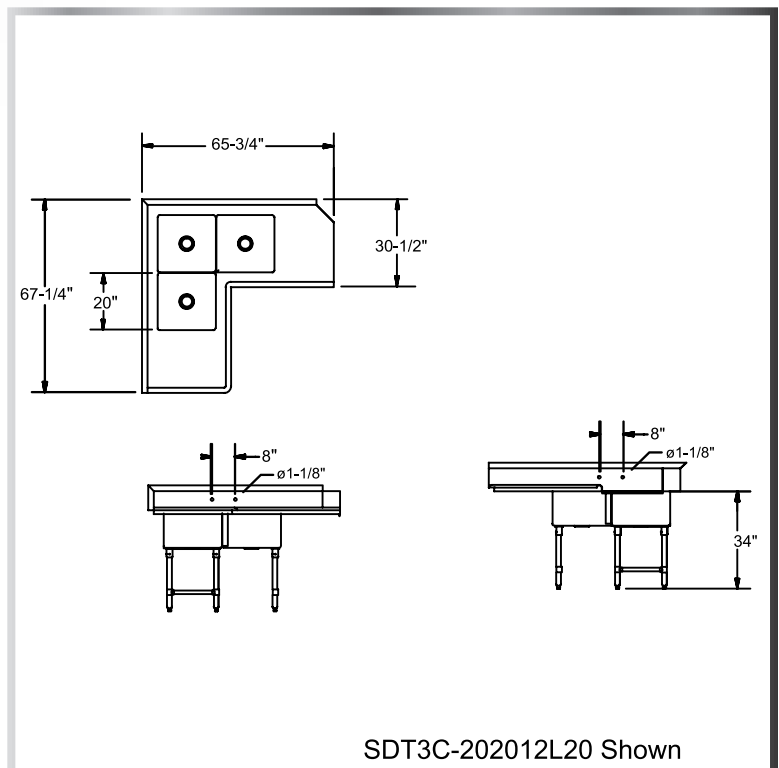


## MATERIALS

- 18 Gauge 304 Stainless Steel Top
- Galvanized Legs, Gussets, and Bracing
- Plastic Bullet Feet

## FEATURES

- Designed to Fit Into Dish Machine
- 9" Backsplash with 2" Return to Wall
  - Two Sets of 8" On-Center Wall-Mounted Faucet Holes
- 3-1/2" Die-Stamped Drain Opening
  - Two 20" Drainboards
  - Adjustable Bullet Feet
  - Drain Basket Included



Include a Faucet, Waste Drain, and More With Your Order!  
(See Pages 76-82)

MODEL NUMBER	BOWL SIZE L X W X H	LENGTH	WIDTH	DRAINBOARD SIZE
SDT3C-202012L20	20" x 20" x 12"	65-3/4"	30-1/2"	20"
SDT3C-202012R20	20" x 20" x 12"	65-3/4"	30-1/2"	20"

# 3-BOWL SOILED DISH TABLE

## DISH TABLES - 3 BOWLS



### MATERIALS

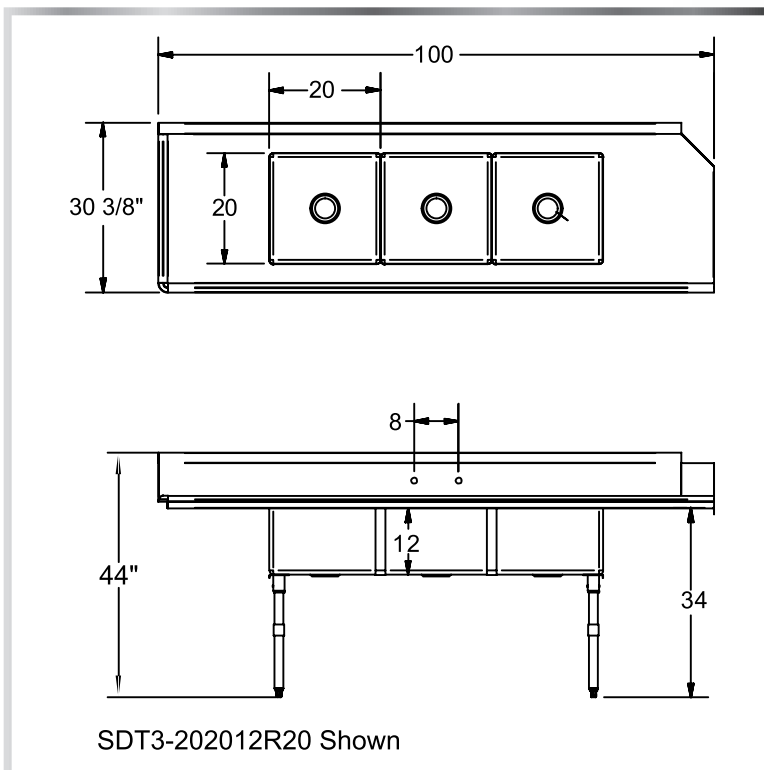
- 18 Gauge 304 Stainless Steel Top
- Galvanized Legs, Gussets, and Bracing
  - Plastic Bullet Feet



### FEATURES

- Designed to Fit Into Dish Machine (Left or Right Side)
- 10" Backsplash with 2" Return to Wall At 45°
- One Set of 8" On-Center Wall-Mounted Faucet Holes
- 3-½" Die-Stamped Drain Openings With Drain Baskets Included
- Two 20" Drainboards (1 on Each Side)
- Adjustable Bullet Feet

Include a Faucet, Waste Drain, and More With Your Order!  
(See Pages 76-82)



MODEL NUMBER	BOWL SIZE L X W X H	LENGTH	WIDTH	DRAINBOARD SIZE
SDT3-202012L20	20" x 20" x 12"	100"	30- <sup>3</sup> / <sub>8</sub> "	20"
SDT3-202012R20	20" x 20" x 12"	100"	30- <sup>3</sup> / <sub>8</sub> "	20"

(609) 642 - 8389 | SALES@NBREQUIPMENT.COM | WWW.NBREQUIPMENT.COM

NBR EQUIPMENT, 10 ABEEL ROAD, CRANBURY, NJ 08512

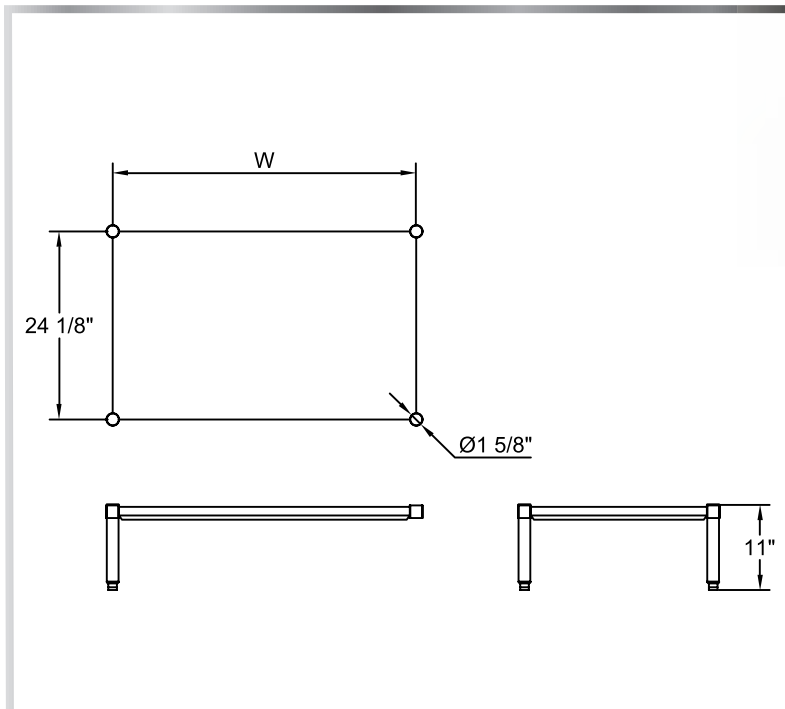
# DISHTABLE UNDERSHELF

## DISH TABLES - UNDERSHELF



### MATERIALS

- 18 Gauge 304 Stainless Steel Shelf
- Stainless Steel Legs and Bullet Feet



### FEATURES

- 2pcs 11\"L Stainless Steel Legs
- Adjustable Bullet Feet
- Compatible with any Straight Design Dishtables

MODEL NUMBER	WIDTH	DEPTH
DTU-S24	17-5/8"	24-1/8"
DTU-S30	23-5/8"	24-1/8"
DTU-S36	29-5/8"	24-1/8"
DTU-S48	41-5/8"	24-1/8"
DTU-S60	53-5/8"	24-1/8"
DTU-S72	65-5/8"	24-1/8"

(609) 642 - 8389 | SALES@NBREQUIPMENT.COM | WWW.NBREQUIPMENT.COM

NBR EQUIPMENT, 10 ABEEL ROAD, CRANBURY, NJ 08512

# PRE-RINSE BASKET & TRAY SLIDES

DISH ROOM - ACCESSORIES



## PRE-RINSE BASKET

### MATERIALS

- 16 Gauge 304 Stainless Steel; Fabricated

### FEATURES

- 5" Deep Pre-Rinse Bowl

MODEL NUMBER	BOWL SIZE L X W
PB-1824	17-1/2" x 23-1/2"
PB-2020	19-1/2" x 19-1/2"
PB-2030	19-1/2" x 29-1/2"
PB-2424	23-1/2" x 23-1/2"



## DISHTABLE RACK SLIDE

### MATERIALS

- 304 Stainless Steel Bar; Fabricated

### FEATURES

- Fits In 20" X 20" Pre-Rinse Sink

MODEL NUMBER	BOWL SIZE L X W
SLB-2020	19-3/4" x 21"

(609) 642 - 8389 | SALES@NBREQUIPMENT.COM | WWW.NBREQUIPMENT.COM  
NBR EQUIPMENT, 10 ABEEL ROAD, CRANBURY, NJ 08512

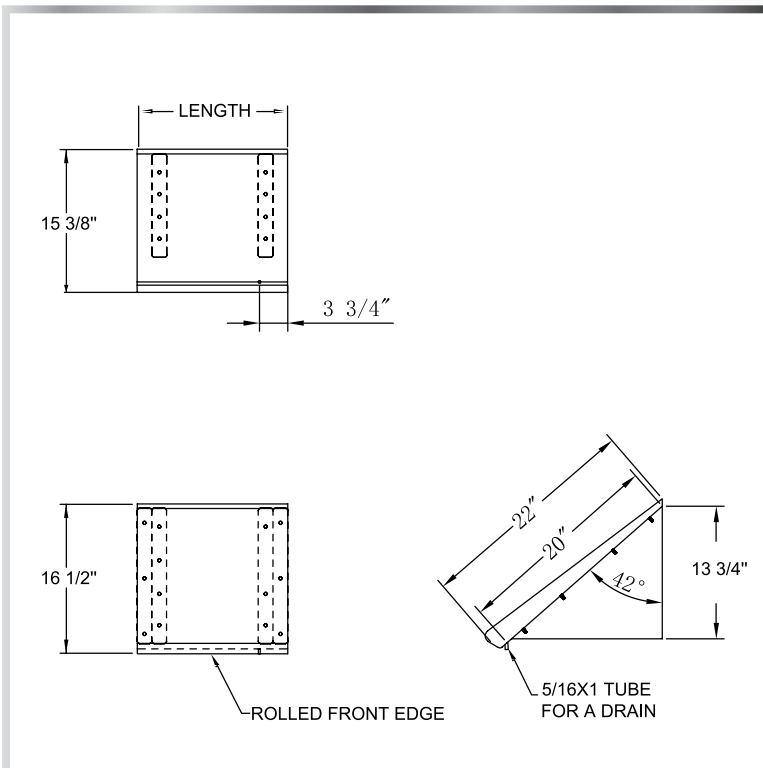
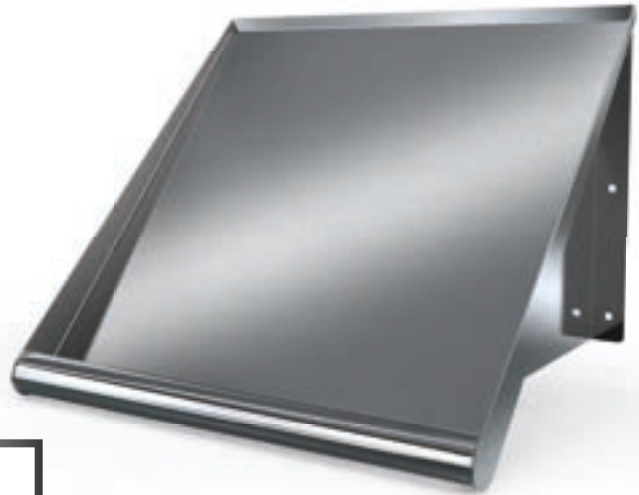
# SOLID SORTING SHELF

## DISH ROOM - ACCESSORIES



### MATERIALS

- 18 Gauge 304 Stainless Steel



### FEATURES

- Solid Wall Mounted Shelf
- Rolled Front Edges
- Includes Brackets
- Drain Tube in Right Corner

MODEL NUMBER	LENGTH	WIDTH
SSR-21	21"	22"
SSR-42	42"	22"
SSR-63	63"	22"

# TUBULAR SORTING SHELF

DISH ROOM - ACCESSORIES

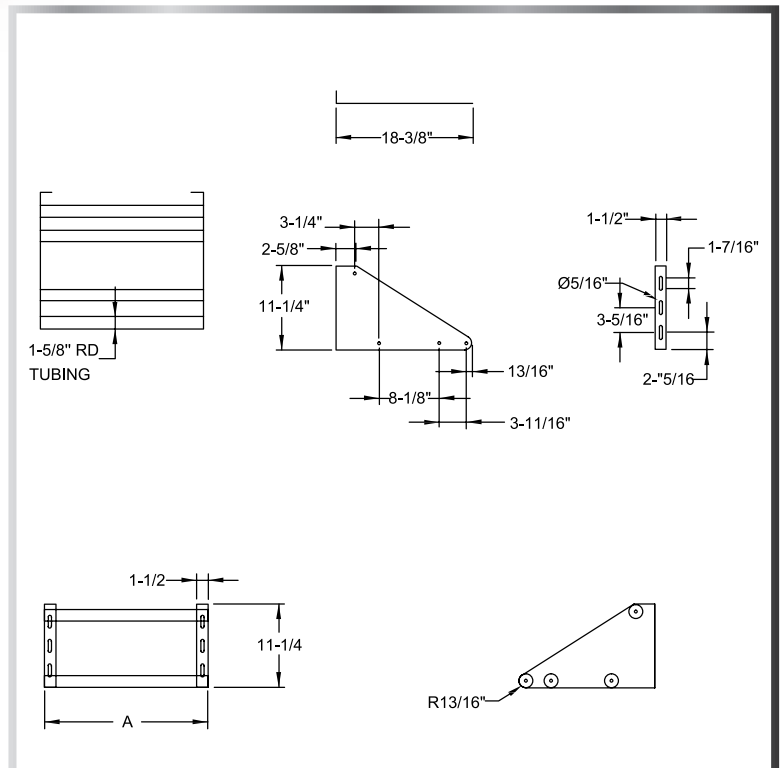


## MATERIALS

- 16 Gauge 304 Stainless Steel

## FEATURES

- Slanted Wall Mounted Shelf
  - Includes Brackets
  - Four 1-5/8" Round Tubes



MODEL NUMBER	LENGTH	WIDTH
TSS-22	22"	18-3/8"
TSS-42	42"	18-3/8"
TSS-63	63"	18-3/8"

(609) 642 - 8389 | SALES@NBREQUIPMENT.COM | WWW.NBREQUIPMENT.COM  
 NBR EQUIPMENT, 10 ABEEL ROAD, CRANBURY, NJ 08512



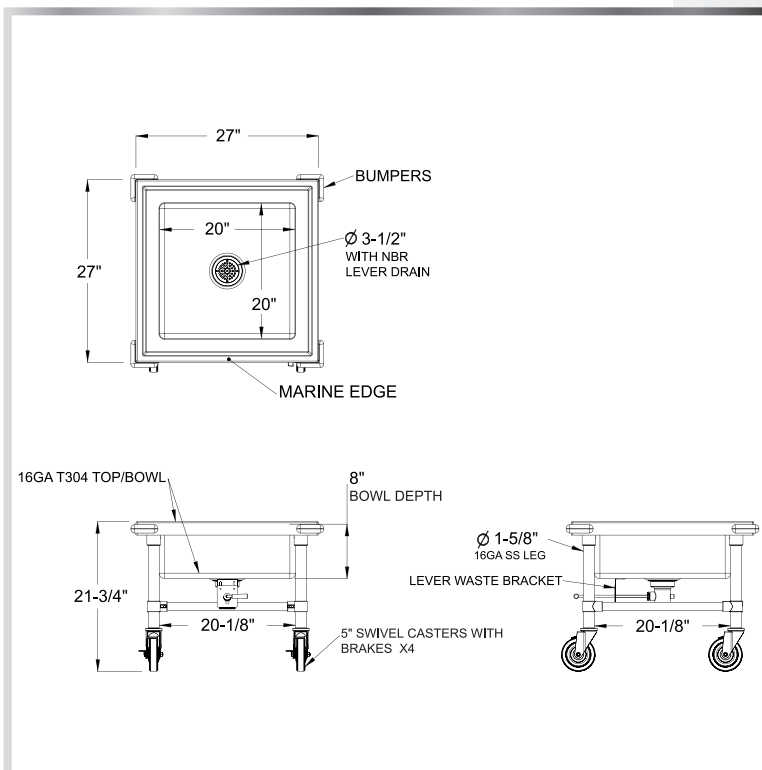
# MOBILE SOAK SINK

DISH ROOM - MOBILE



## MATERIALS

- 16 Gauge 304 Stainless Steel; Fabricated
- Stainless Steel Cross-Bracing, Legs, and 5" Swivel Casters With Brake



## FEATURES

- Marine Edges
- Gray Bumpers
- Twist Lever Waste Drain Included
- Includes Swivel Casters With Brakes

**MODEL NUMBER**

**SKS-2020**

**SOAK SINK SIZE**

**20" x 20" x 8"**

(609) 642 - 8389 | SALES@NBREQUIPMENT.COM | WWW.NBREQUIPMENT.COM

NBR EQUIPMENT, 10 ABEEL ROAD, CRANBURY, NJ 08512

# FREE-STANDING SERVICE SINK

DISH ROOM - FREE STANDING



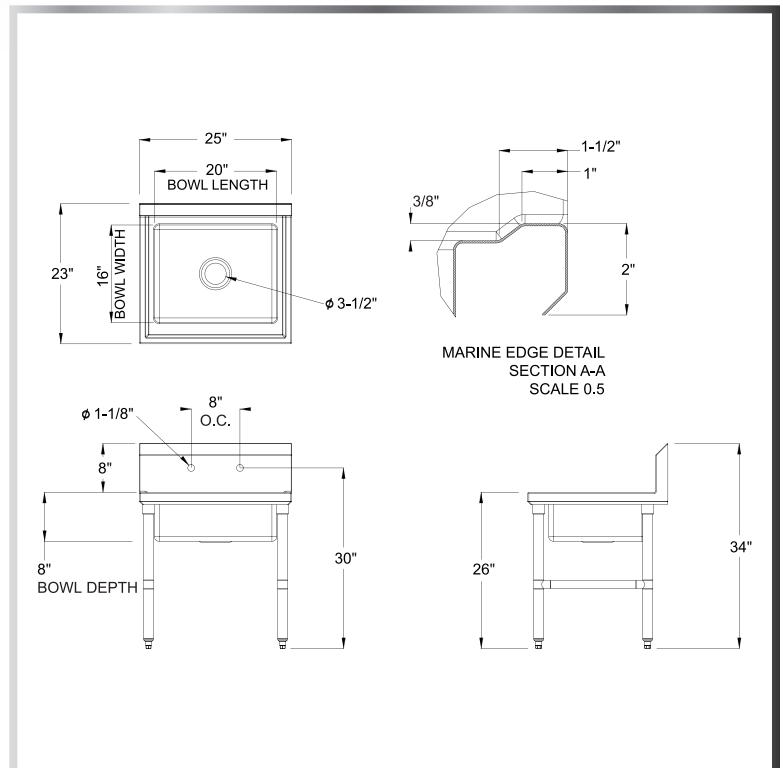
## MATERIALS

- 18 Gauge 304 Stainless Steel; Fabricated
- Stainless Steel Legs, Cross-Bracing, and Bullet Feet

## FEATURES

- 8" Deep Fabricated Sink Bowl
- 3-1/2" Drain Basket Included
- 8" On-Center Wall-Mounted Faucet Holes

Include a Faucet, Waste Drain, and More With Your Order!  
(See Pages 76-82)



**MODEL NUMBER**

**SVS-2016**

**SOAK SINK SIZE**

**20" x 16" x 8"**

(609) 642 - 8389 | SALES@NBREQUIPMENT.COM | WWW.NBREQUIPMENT.COM

NBR EQUIPMENT, 10 ABEEL ROAD, CRANBURY, NJ 08512

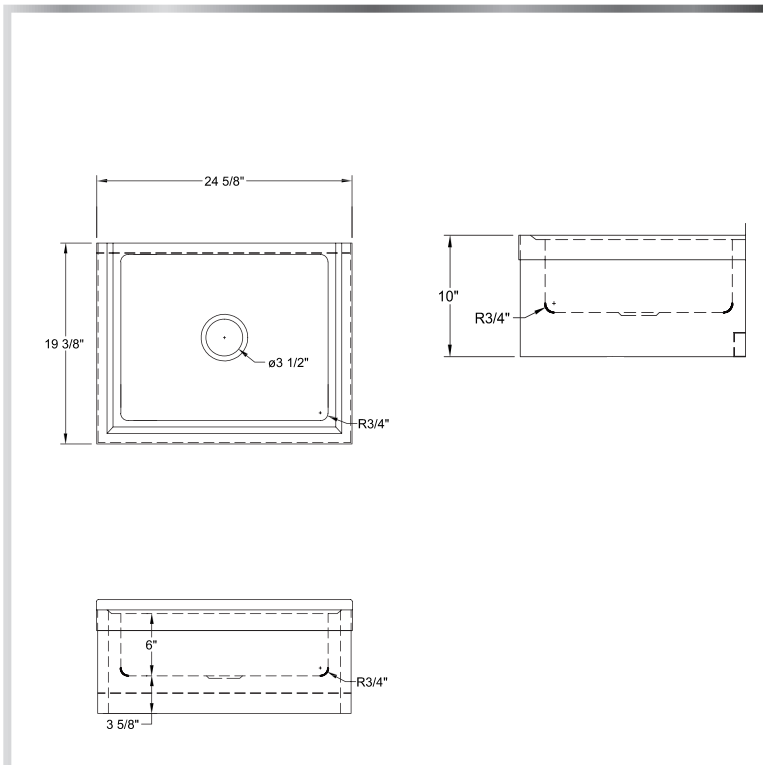
# FLOOR-MOUNT MOP SINK

## MOP SINKS - FLOOR MOUNT



### MATERIALS

- 16 Gauge 304 Stainless Steel Bowl



### FEATURES

- Marine Edges
- 3-1/2" Heavy Duty Brass Drain Basket Included
- Skirted Sides

Include a Service Faucet (P2SV) as Seen on Page 77

MODEL NUMBER	BOWL SIZE L X W X H	LENGTH	WIDTH
MOP-162006	20" x 16" x 6"	24-5/8"	19-3/8"
MOP-162012	20" x 16" x 12"	24-5/8"	19-3/8"
MOP-242406	24" x 24" x 6"	28-5/8"	27-3/8"
MOP-242412	24" x 24" x 12"	28-5/8"	27-3/8"
MOP-282012	28" x 20" x 12"	32-5/8"	23-3/8"

# FLUSH FLOOR-MOUNT MOP SINK

## MOP SINKS - FLUSH FLOOR MOUNT

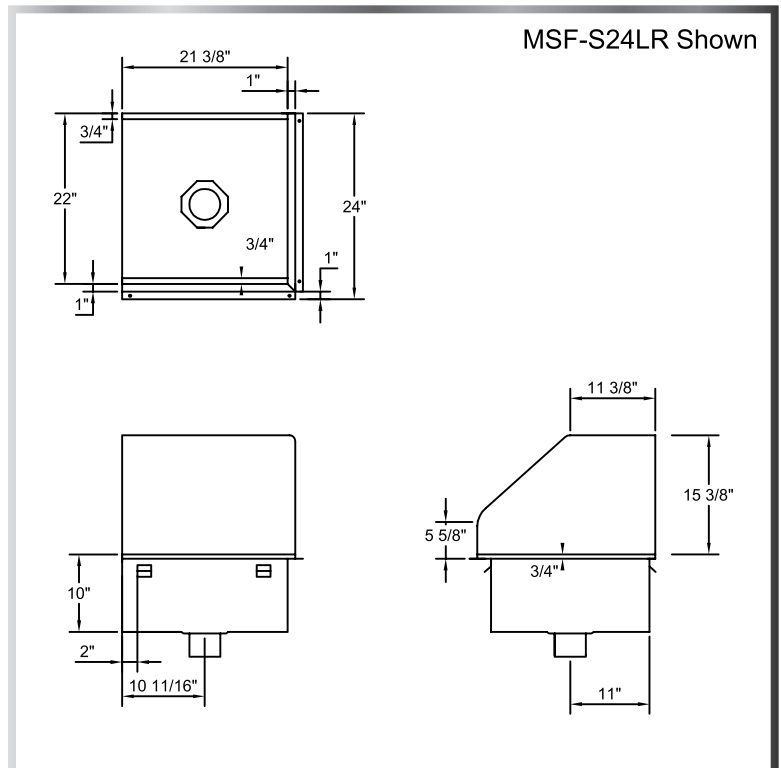


## MATERIALS

- 16 Gauge 304 Stainless Steel Bowl

## FEATURES

- Recessed Into Floor
- Removable Stainless Steel Subway Grating and Strainer Basket
- Allows Mop Buckets To Roll Over Sink At Floor Level
- 16-1/2" Backsplashes; Available With Left Splash (L), Right Splash (R), Or Both (LR)
- 4" Outer Dimension (O.D.) Waste Pipe 3" Tall



Include a Service Faucet (P2SV) as Seen on Page 77

MODEL NUMBER	BOWL SIZE L X W X H	LENGTH	WIDTH
MSF-S24L	23-3/8" x 24" x 10"	23-3/8"	24"
MSF-S24R	23-3/8" x 24" x 10"	23-3/8"	24"
MSF-S24LR	21-3/8" x 24" x 10"	21-3/8"	24"

(609) 642 - 8389 | SALES@NBREQUIPMENT.COM | WWW.NBREQUIPMENT.COM

NBR EQUIPMENT, 10 ABEEL ROAD, CRANBURY, NJ 08512

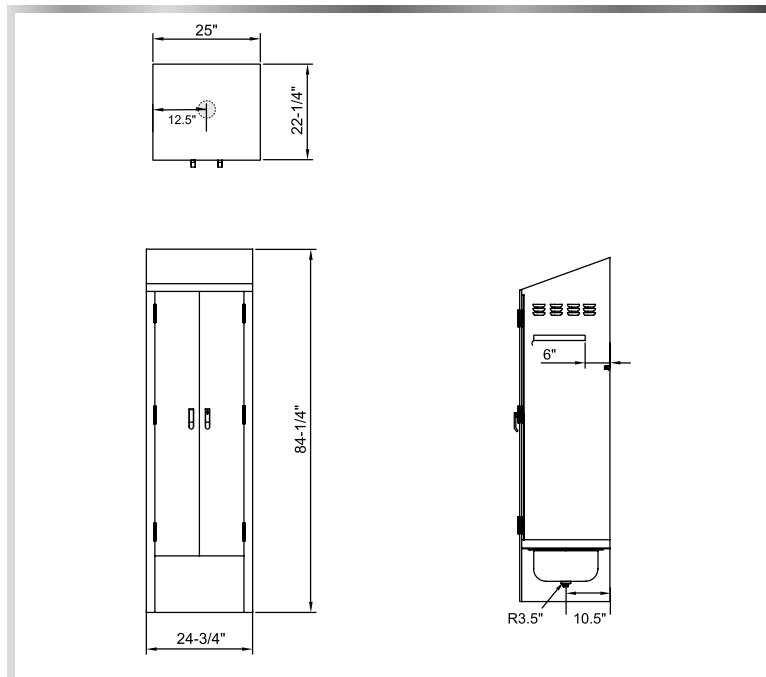
# SINGLE STORAGE MOP SINK CABINET



## MOP SINKS - CABINET

### MATERIALS

- 18 Gauge 430 Series Stainless Steel Body
  - 16 Gauge 304 Stainless Steel Mop Sink
- 20 Gauge 430 Series Stainless Steel Doors



### FEATURES

- Holds Two Mops
- One Fixed Overhead Shelf
- 20" x 16" x 8" Mop Sink
- Two Hinged Doors With Transverse Rod Handles and Keyed Locks
- Single Storage Closet With Slanted Top
- Drain Basket Included

Include a Service Faucet (P2SV) as Seen on Page 77

MODEL NUMBER	BOWL SIZE L X W X H	LENGTH	WIDTH
MSC-2522	20" x 16" x 8"	25"	22-1/4"

# DOUBLE STORAGE MOP SINK CABINET

## MOP SINKS - CABINET

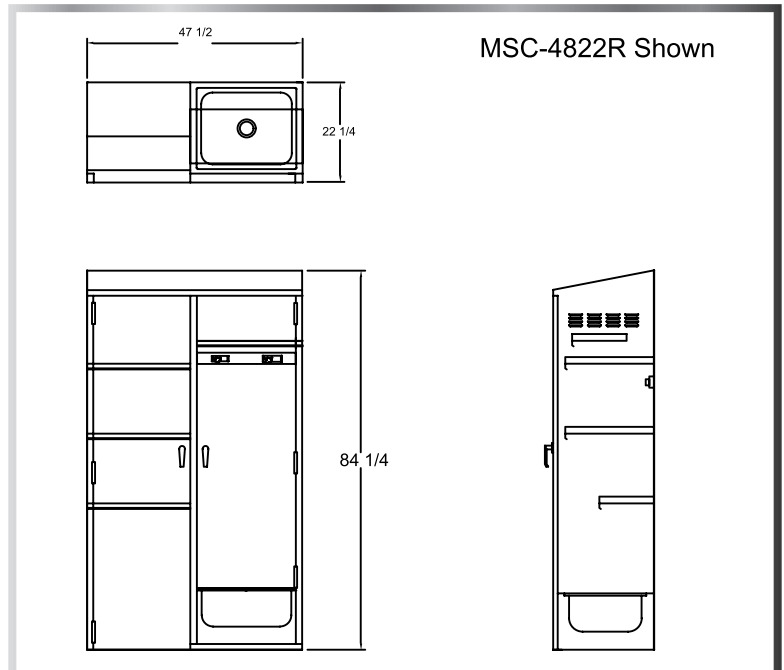


## MATERIALS

- 18 Gauge 430 Series Stainless Steel Body
- 16 Gauge 304 Stainless Steel Mop Sink
- 20 Gauge 430 Series Stainless Steel Doors

## FEATURES

- Holds Two Mops
- One Fixed Overhead Shelf Above Mop Sink
- Three Fixed Shelves in Cabinet Storage Side
  - 20" x 16" x 8" Mop Sink
- Two Hinged Doors With Transverse Rod Handles and Keyed Locks
  - Double Storage Closet With Slanted Top
  - Drain Basket Included



Include a Service Faucet (P2SV) as Seen on Page 77

MODEL NUMBER	BOWL SIZE L X W X H	LENGTH	WIDTH
MSC-4822L	20" x 16" x 8"	47-1/2"	22-1/4"
MSC-4822R	20" x 16" x 8"	47-1/2"	22-1/4"



# TROUGHS

## TROUGHS



### FEATURES

- Subway Style Grating
- 3-1/2" Deep Welded Pan With Built-In Pitch
- Accommodates Up to 4" in Diameter Pipe
- Includes Removable Perforated Strainer

### MATERIALS

- 14 Gauge 304 Stainless Steel; Fabricated
  - Stainless Steel Grating and Strainer



MODEL NUMBER	LENGTH	WIDTH
FT-G1224	24"	12"
FT-G1236	36"	12"
FT-G1248	48"	12"
FT-G1260	60"	12"
FT-G1824	24"	18"
FT-G1836	36"	18"
FT-G1848	48"	18"
FT-G1860	60"	18"



MODEL NUMBER	TP-12*	TB-18*
SIZE	12"L x 6-7/16"W	18"L x 4"D x 4"W
DESCRIPTION	Urn Trough with Removable Drip Plate	Trough and Basket
MATERIAL	16 GA 300 Stainless Steel	14 GA 304 Stainless Steel

**\* AVAILABLE IN BIGGER SIZES:**

**TP-18: 18"L**      **TP-36: 36"L**      **TP-60: 60"L**      **TB-24: 24"L X 4"W**  
**TP-24: 24"L**      **TP-48: 48"L**      **TP-72: 72"L**      **TB-26: 26"L X 4"W**

(609) 642 - 8389 | SALES@NBREQUIPMENT.COM | WWW.NBREQUIPMENT.COM

NBR EQUIPMENT, 10 ABEEL ROAD, CRANBURY, NJ 08512

# PREMIUM 1-BOWL SINK

## SINKS - 1 BOWL



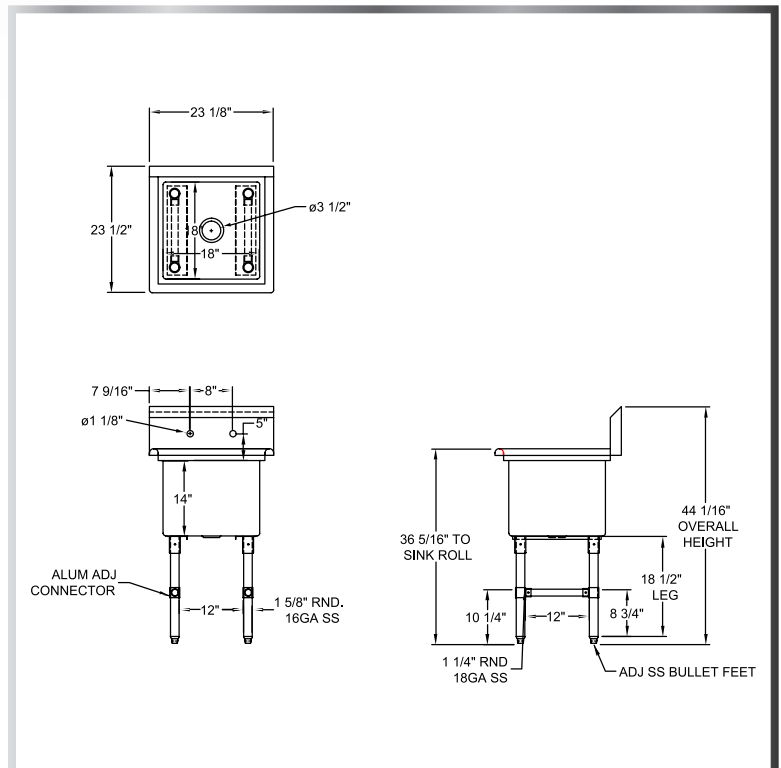
## MATERIALS

- 16 Gauge 304 Stainless Steel; Fabricated
- Stainless Steel Legs, Gussets, Cross-Bracing, and Bullet Feet

## FEATURES

- 10"H Backsplash with 2" Return to Wall
- 8" On-Center Wall-Mounted Faucet Holes
- 3-1/2" Die-Stamped Drain Opening With Drain Basket Included
- Cross-Bracing for Reinforced Support
  - Adjustable Bullet Feet

Include a Faucet, Waste Drain, and More With Your Order!  
(See Pages 76-82)



MODEL NUMBER	BOWL SIZE L X W X H	LENGTH	WIDTH
1SS-162014	16" x 20" x 14"	21-1/8"	25-1/2"
1SS-181814	18" x 18" x 14"	23-1/8"	23-1/2"
1SS-182414	18" x 24" x 14"	23-1/8"	29-1/2"
1SS-242414	24" x 24" x 14"	29-1/8"	29-1/2"

(609) 642 - 8389 | SALES@NBREQUIPMENT.COM | WWW.NBREQUIPMENT.COM

NBR EQUIPMENT, 10 ABEEL ROAD, CRANBURY, NJ 08512

# PREMIUM 1-BOWL 1-DRAINBOARD SINK (LEFT)



SINKS - 1 BOWL

## MATERIALS

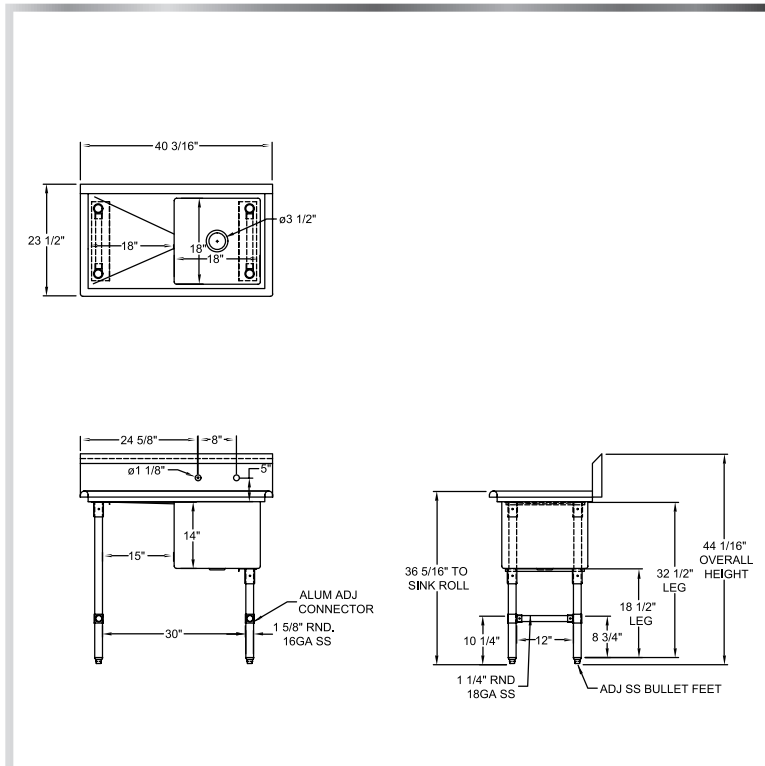
- 16 Gauge 304 Stainless Steel; Fabricated
- Stainless Steel Legs, Gussets, Cross-Bracing, and Bullet Feet



## FEATURES

- 10"H Backsplash with 2" Return to Wall
- 8" On-Center Wall-Mounted Faucet Holes
- 3-1/2" Die-Stamped Drain Opening With Drain Basket Included
- One Drainboard (Left Side)
- Cross-Bracing for Reinforced Support
- Adjustable Bullet Feet

Include a Faucet, Waste Drain, and More With Your Order!  
(See Pages 76-82)



MODEL NUMBER	BOWL SIZE L X W X H	LENGTH	WIDTH	DRAINBOARD SIZE
1SS-162014L18	16" x 20" x 14"	38-3/16"	25-1/2"	18"
1SS-181814L18	18" x 18" x 14"	40-3/16"	23-1/2"	18"
1SS-182414L18	18" x 24" x 14"	40-3/16"	29-1/2"	18"
1SS-182414L24	18" x 24" x 14"	46-3/16"	29-1/2"	24"
1SS-242414L24	24" x 24" x 14"	52-3/16"	29-1/2"	24"

(609) 642 - 8389 | SALES@NBREQUIPMENT.COM | WWW.NBREQUIPMENT.COM

NBR EQUIPMENT, 10 ABEEL ROAD, CRANBURY, NJ 08512

# PREMIUM 1-BOWL 1-DRAINBOARD SINK (RIGHT)

SINKS - 1 BOWL

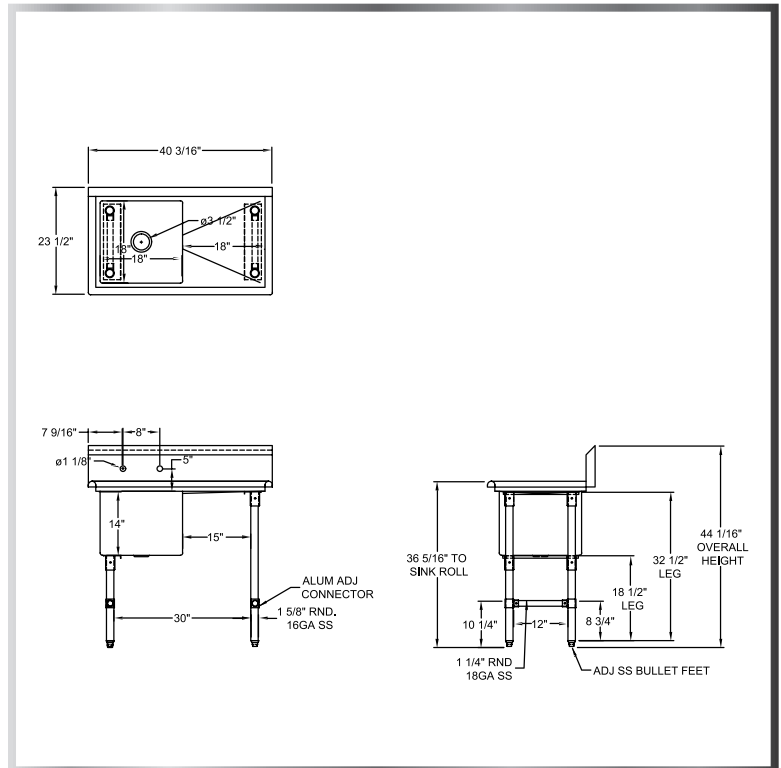


## MATERIALS

- 16 Gauge 304 Stainless Steel; Fabricated
- Stainless Steel Legs, Gussets, Cross-Bracing, and Bullet Feet

## FEATURES

- 10"H Backsplash with 2" Return to Wall
- 8" On-Center Wall-Mounted Faucet Holes
- 3-1/2" Die-Stamped Drain Opening With Drain Basket Included
- One Drainboard (Right Side)
- Cross-Bracing for Reinforced Support
- Adjustable Bullet Feet



Include a Faucet, Waste Drain, and More  
With Your Order!  
(See Pages 76-82)

MODEL NUMBER	BOWL SIZE L X W X H	LENGTH	WIDTH	DRAINBOARD SIZE
1SS-162014R18	16" x 20" x 14"	38- <sup>3</sup> / <sub>16</sub> "	25- <sup>1</sup> / <sub>2</sub> "	18"
1SS-181814R18	18" x 18" x 14"	40- <sup>3</sup> / <sub>16</sub> "	23- <sup>1</sup> / <sub>2</sub> "	18"
1SS-182414R18	18" x 24" x 14"	40- <sup>3</sup> / <sub>16</sub> "	29- <sup>1</sup> / <sub>2</sub> "	18"
1SS-182414R24	18" x 24" x 14"	46- <sup>3</sup> / <sub>16</sub> "	29- <sup>1</sup> / <sub>2</sub> "	24"
1SS-242414R24	24" x 24" x 14"	52- <sup>3</sup> / <sub>16</sub> "	29- <sup>1</sup> / <sub>2</sub> "	24"

(609) 642 - 8389 | SALES@NBREQUIPMENT.COM | WWW.NBREQUIPMENT.COM

NBR EQUIPMENT, 10 ABEEL ROAD, CRANBURY, NJ 08512

# PREMIUM 1-BOWL 2-DRAINBOARD SINK



## SINKS - 1 BOWL



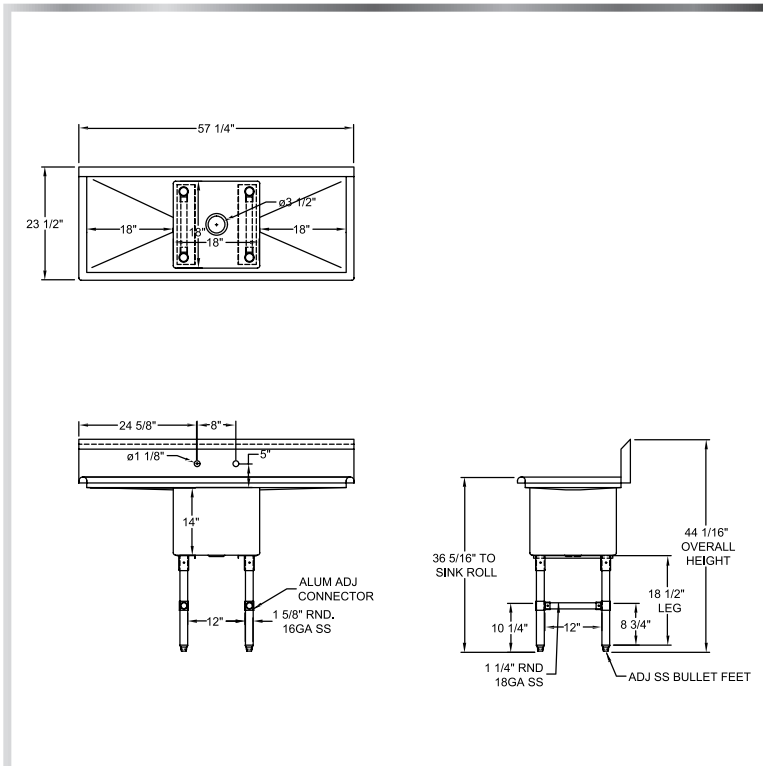
## MATERIALS

- 16 Gauge 304 Stainless Steel; Fabricated
- Stainless Steel Legs, Gussets, Cross-Bracing, and Bullet Feet

## FEATURES

- 10"H Backsplash with 2" Return to Wall
- 8" On-Center Wall-Mounted Faucet Holes
- 3-1/2" Die-Stamped Drain Opening With Drain Basket Included
- Two Drainboards (1 on Each Side)
- Cross-Bracing for Reinforced Support
- Adjustable Bullet Feet

Include a Faucet, Waste Drain, and More  
With Your Order!  
(See Pages 76-82)



MODEL NUMBER	BOWL SIZE L X W X H	LENGTH	WIDTH	DRAINBOARD SIZE
1SS-162014LR18	16" x 20" x 14"	55-1/4"	25-1/2"	18"
1SS-181814LR18	18" x 18" x 14"	57-1/4"	23-1/2"	18"
1SS-182414LR18	18" x 24" x 14"	57-1/4"	29-1/2"	18"
1SS-182414LR24	18" x 24" x 14"	69-1/4"	29-1/2"	24"
1SS-242414LR24	24" x 24" x 14"	75-1/4"	29-1/2"	24"

(609) 642 - 8389 | SALES@NBREQUIPMENT.COM | WWW.NBREQUIPMENT.COM

NBR EQUIPMENT, 10 ABEEL ROAD, CRANBURY, NJ 08512

# ECONOMY 1-BOWL SINK

## SINKS - 1 BOWL

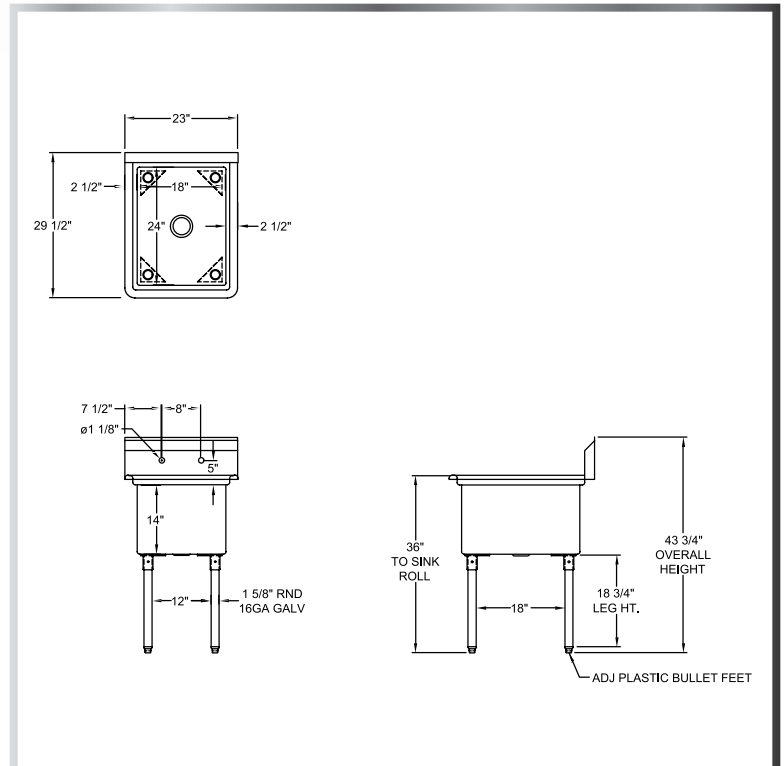


## MATERIALS

- 18 Gauge 304 Stainless Steel; Fabricated
- Galvanized Legs and Gussets
- Plastic Bullet Feet

## FEATURES

- 10"H Backsplash with 2" Return to Wall
- 8" On-Center Wall-Mounted Faucet Holes
- 3-1/2" Die-Stamped Drain Opening With Drain Basket Included
- Adjustable Bullet Feet



Include a Faucet, Waste Drain, and More With Your Order!  
(See Pages 76-82)

MODEL NUMBER	BOWL SIZE L X W X H	LENGTH	WIDTH
1SG-162012	16" x 20" x 12"	21"	25-1/2"
1SG-181812	18" x 18" x 12"	23"	23-1/2"
1SG-182414	18" x 24" x 14"	23"	29-1/2"
1SG-202012	20" x 20" x 12"	25"	25-1/2"
1SG-242414	24" x 24" x 14"	29"	29-1/2"

(609) 642 - 8389 | SALES@NBREQUIPMENT.COM | WWW.NBREQUIPMENT.COM

NBR EQUIPMENT, 10 ABEEL ROAD, CRANBURY, NJ 08512



# ECONOMY 1-BOWL 1-DRAINBOARD SINK (LEFT)



## SINKS - 1 BOWL

### MATERIALS

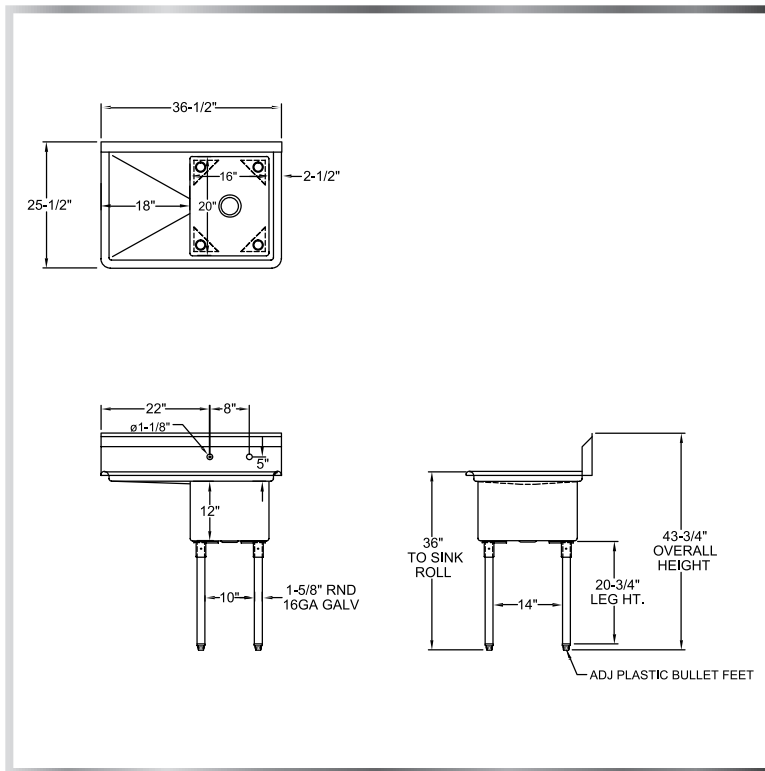
- 18 Gauge 304 Stainless Steel; Fabricated
  - Galvanized Legs and Gussets
  - Plastic Bullet Feet



### FEATURES

- 10"H Backsplash with 2" Return to Wall
- 8" On-Center Wall-Mounted Faucet Holes
- 3-1/2" Die-Stamped Drain Opening With Drain Basket Included
- One Drainboard (Left Side)
- Adjustable Bullet Feet

Include a Faucet, Waste Drain, and More  
With Your Order!  
(See Pages 76-82)



MODEL NUMBER	BOWL SIZE L X W X H	LENGTH	WIDTH	DRAINBOARD SIZE
1SG-162012L18	16" x 20" x 12"	36-1/2"	25-1/2"	18"
1SG-181812L18	18" x 18" x 12"	38-1/2"	23-1/2"	18"
1SG-182414L24	18" x 24" x 14"	44-1/2"	29-1/2"	24"
1SG-242414L24	24" x 24" x 14"	50-1/2"	29-1/2"	24"

# ECONOMY 1-BOWL 1-DRAINBOARD SINK (RIGHT)

SINKS - 1 BOWL

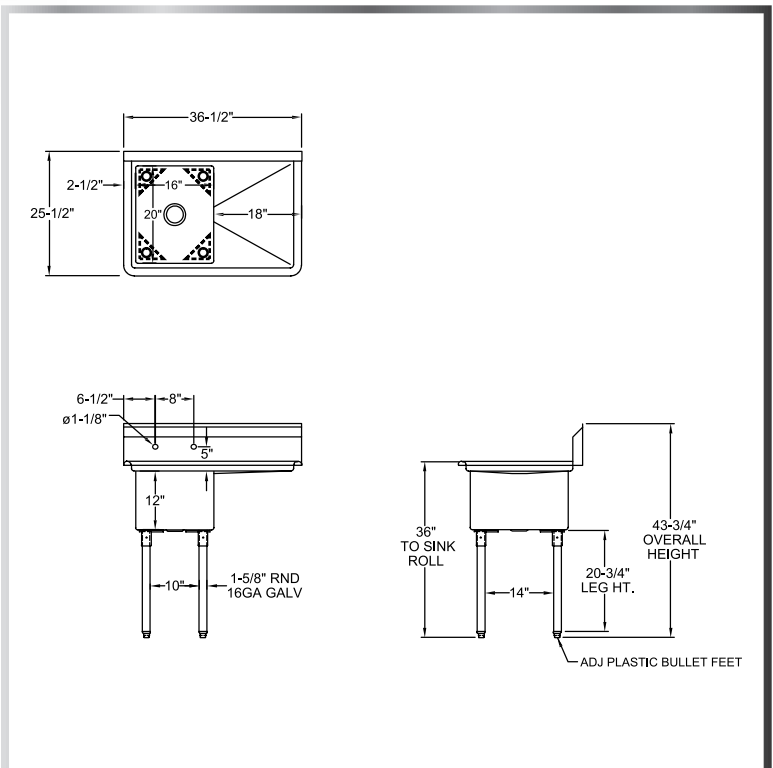


## MATERIALS

- 18 Gauge 304 Stainless Steel; Fabricated
- Galvanized Legs and Gussets
- Plastic Bullet Feet

## FEATURES

- 10"H Backsplash with 2" Return to Wall
- 8" On-Center Wall-Mounted Faucet Holes
  - 3-1/2" Die-Stamped Drain Opening With Drain Basket Included
  - One Drainboard (Right Side)
    - Adjustable Bullet Feet



Include a Faucet, Waste Drain, and More  
With Your Order!  
(See Pages 76-82)

MODEL NUMBER	BOWL SIZE L X W X H	LENGTH	WIDTH	DRAINBOARD SIZE
1SG-162012R18	16" x 20" x 12"	36-1/2"	25-1/2"	18"
1SG-181812R18	18" x 18" x 12"	38-1/2"	23-1/2"	18"
1SG-182414R24	18" x 24" x 14"	44-1/2"	29-1/2"	24"
1SG-242414R24	24" x 24" x 14"	50-1/2"	29-1/2"	24"

(609) 642 - 8389 | SALES@NBREQUIPMENT.COM | WWW.NBREQUIPMENT.COM

NBR EQUIPMENT, 10 ABEEL ROAD, CRANBURY, NJ 08512

# ECONOMY 1-BOWL 2-DRAINBOARD SINK



## SINKS - 1 BOWL

### MATERIALS

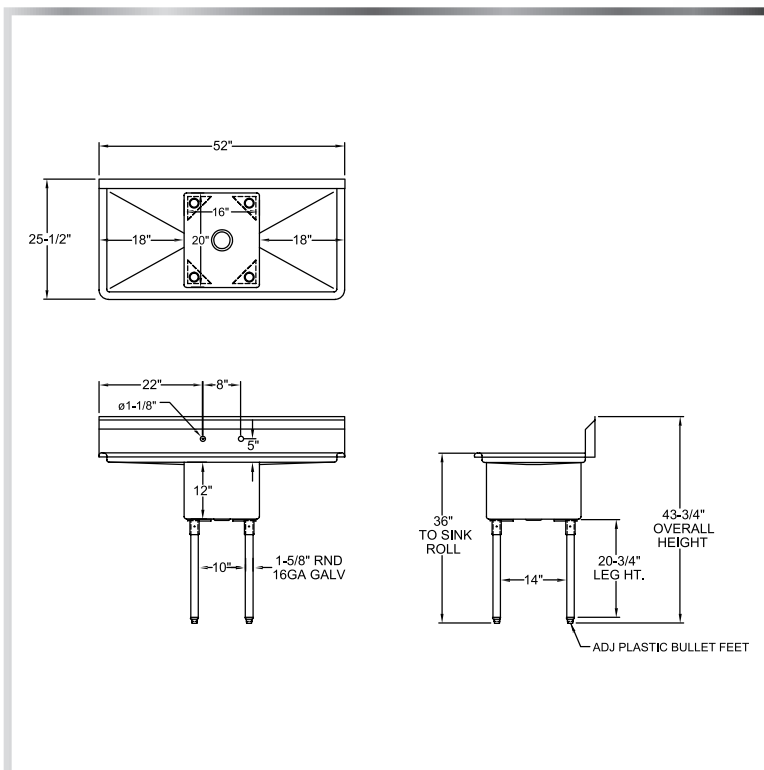
- 18 Gauge 304 Stainless Steel; Fabricated
  - Galvanized Legs and Gussets
  - Plastic Bullet Feet



### FEATURES

- 10"H Backsplash with 2" Return to Wall
- 8" On-Center Wall-Mounted Faucet Holes
- 3-1/2" Die-Stamped Drain Opening With Drain Basket Included
- Two Drainboard (1 on Each Side)
- Adjustable Bullet Feet

Include a Faucet, Waste Drain, and More  
With Your Order!  
(See Pages 76-82)



MODEL NUMBER	BOWL SIZE L X W X H	LENGTH	WIDTH	DRAINBOARD SIZE
1SG-162012LR18	16" x 20" x 12"	52"	25-1/2"	18"
1SG-181812LR18	18" x 18" x 12"	54"	23-1/2"	18"
1SG-182414LR24	18" x 24" x 14"	66"	29-1/2"	24"
1SG-242414LR24	24" x 24" x 14"	72"	29-1/2"	24"

(609) 642 - 8389 | SALES@NBREQUIPMENT.COM | WWW.NBREQUIPMENT.COM

NBR EQUIPMENT, 10 ABEEL ROAD, CRANBURY, NJ 08512

# PREMIUM 2-BOWL SINK

## SINKS - 2 BOWLS

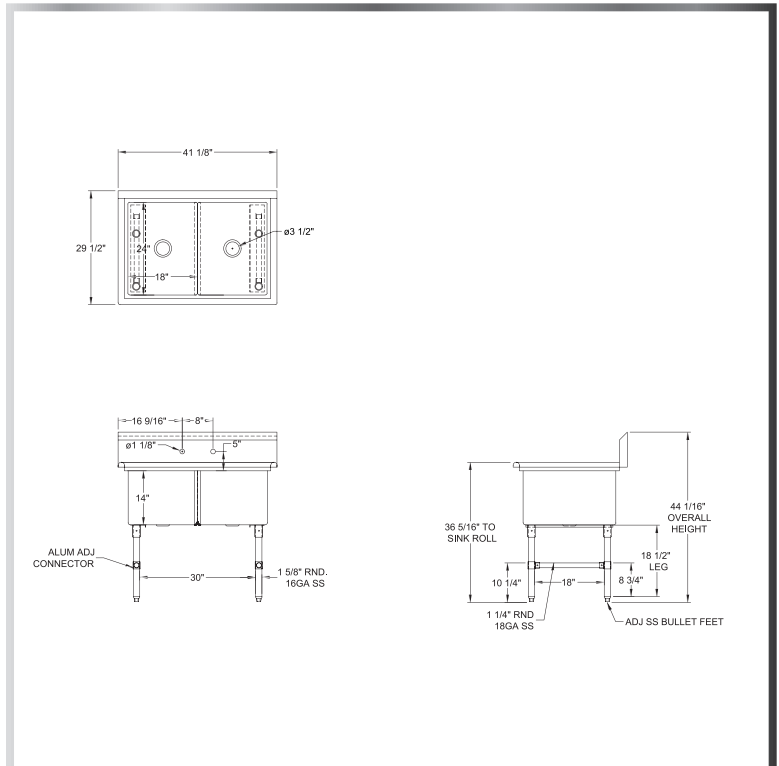


## MATERIALS

- 16 Gauge 304 Stainless Steel; Fabricated
- Stainless Steel Legs, Gussets, Cross-Bracing, and Bullet Feet

## FEATURES

- 10"H Backsplash with 2" Return to Wall
- 8" On-Center Wall-Mounted Faucet Holes
  - 3-1/2" Die-Stamped Drain Opening With Drain Baskets Included
- Cross-Bracing for Reinforced Support
  - Adjustable Bullet Feet



Include a Faucet, Waste Drain, and More With Your Order!  
(See Pages 76-82)

MODEL NUMBER	BOWL SIZE L X W X H	LENGTH	WIDTH
2SS-162014	16" x 20" x 14"	37-1/8"	25-1/2"
2SS-181814	18" x 18" x 14"	41-1/8"	23-1/2"
2SS-182414	18" x 24" x 14"	41-1/8"	29-1/2"
2SS-242414	24" x 24" x 14"	53-1/8"	29-1/2"

(609) 642 - 8389 | SALES@NBREQUIPMENT.COM | WWW.NBREQUIPMENT.COM

NBR EQUIPMENT, 10 ABEEL ROAD, CRANBURY, NJ 08512

# PREMIUM 2-BOWL 1-DRAINBOARD SINK (LEFT)



SINKS - 2 BOWLS

## MATERIALS

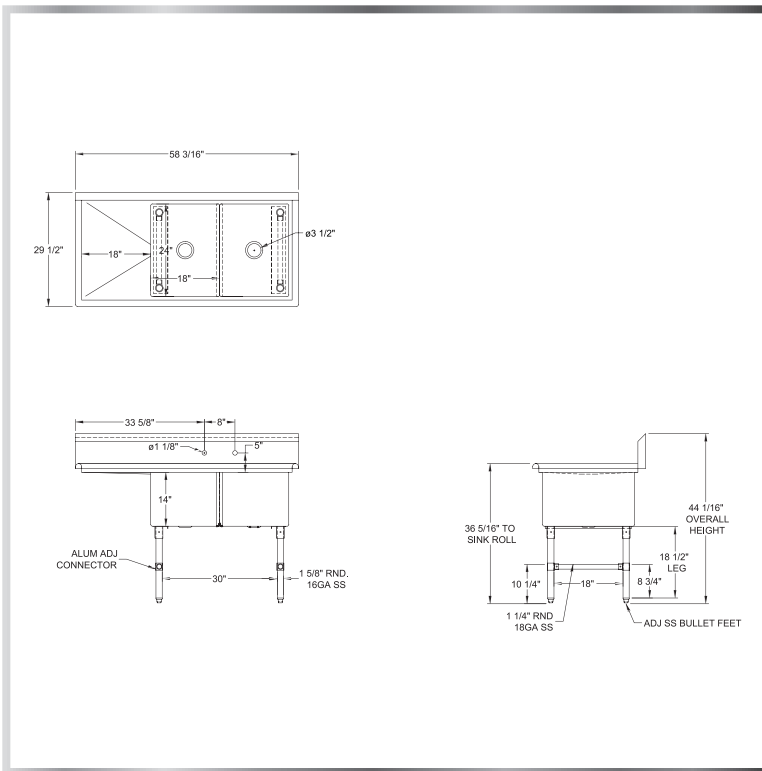
- 16 Gauge 304 Stainless Steel; Fabricated
- Stainless Steel Legs, Gussets, Cross-Bracing, and Bullet Feet



## FEATURES

- 10"H Backsplash with 2" Return to Wall
- 8" On-Center Wall-Mounted Faucet Holes
- 3-1/2" Die-Stamped Drain Opening With Drain Baskets Included
- One Drainboard (Left Side)
- Cross-Bracing for Reinforced Support
- Adjustable Bullet Feet

Include a Faucet, Waste Drain, and More  
With Your Order!  
(See Pages 76-82)



MODEL NUMBER	BOWL SIZE L X W X H	LENGTH	WIDTH	DRAINBOARD SIZE
2SS-162014L18	16" x 20" x 14"	54-3/16"	25-1/2"	18"
2SS-181814L18	18" x 18" x 14"	58-3/16"	23-1/2"	18"
2SS-182414L18	18" x 24" x 14"	58-3/16"	29-1/2"	18"
2SS-242414L24	24" x 24" x 14"	76-3/16"	29-1/2"	24"

# PREMIUM 2-BOWL 1-DRAINBOARD SINK (RIGHT)

SINKS - 2 BOWLS

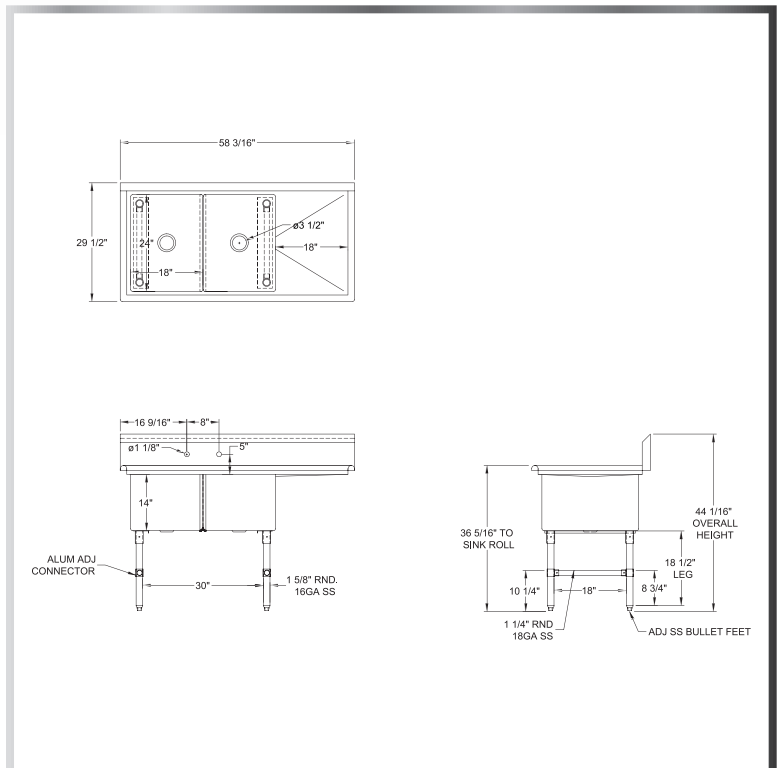


## MATERIALS

- 16 Gauge 304 Stainless Steel; Fabricated
- Stainless Steel Legs, Gussets, Cross-Bracing, and Bullet Feet

## FEATURES

- 10"H Backsplash with 2" Return to Wall
- 8" On-Center Wall-Mounted Faucet Holes
- 3-1/2" Die-Stamped Drain Opening With Drain Baskets Included
  - One Drainboard (Right Side)
- Cross-Bracing for Reinforced Support
  - Adjustable Bullet Feet



Include a Faucet, Waste Drain, and More With Your Order!  
(See Pages 76-82)

MODEL NUMBER	BOWL SIZE L X W X H	LENGTH	WIDTH	DRAINBOARD SIZE
2SS-162014R18	16" x 20" x 14"	54-3/16"	25-1/2"	18"
2SS-181814R18	18" x 18" x 14"	58-3/16"	23-1/2"	18"
2SS-182414R18	18" x 24" x 14"	58-3/16"	29-1/2"	18"
2SS-242414R24	24" x 24" x 14"	76-3/16"	29-1/2"	24"

(609) 642 - 8389 | SALES@NBREQUIPMENT.COM | WWW.NBREQUIPMENT.COM

NBR EQUIPMENT, 10 ABEEL ROAD, CRANBURY, NJ 08512



# PREMIUM 2-BOWL 2-DRAINBOARD SINK



SINKS - 2 BOWLS



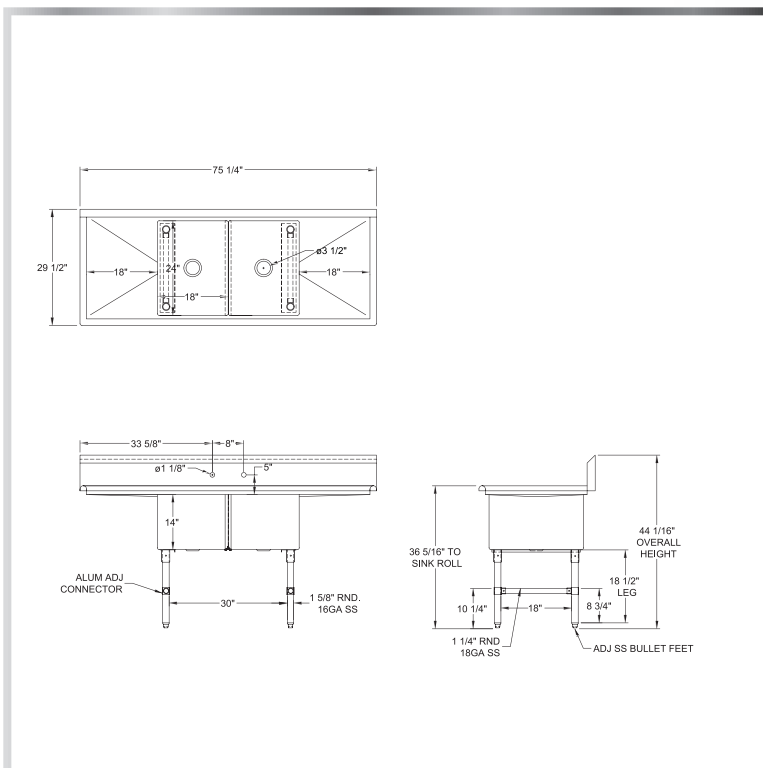
## MATERIALS

- 16 Gauge 304 Stainless Steel; Fabricated
- Stainless Steel Legs, Gussets, Cross-Bracing, and Bullet Feet

## FEATURES

- 10"H Backsplash with 2" Return to Wall
- 8" On-Center Wall-Mounted Faucet Holes
- 3-1/2" Die-Stamped Drain Opening With Drain Baskets Included
- Two Drainboards (1 on Each Side)
- Cross-Bracing for Reinforced Support
- Adjustable Bullet Feet

Include a Faucet, Waste Drain, and More  
With Your Order!  
(See Pages 76-82)



MODEL NUMBER	BOWL SIZE L X W X H	LENGTH	WIDTH	DRAINBOARD SIZE
2SS-162014LR18	16" x 20" x 14"	71-1/4"	25-1/2"	18"
2SS-181814LR18	18" x 18" x 14"	75-1/4"	23-1/2"	18"
2SS-182414LR18	18" x 24" x 14"	75-1/4"	29-1/2"	18"
2SS-242414LR24	24" x 24" x 14"	99-1/4"	29-1/2"	24"

(609) 642 - 8389 | SALES@NBREQUIPMENT.COM | WWW.NBREQUIPMENT.COM

NBR EQUIPMENT, 10 ABEEL ROAD, CRANBURY, NJ 08512

# ECONOMY 2-BOWL SINK

## SINKS - 2 BOWLS

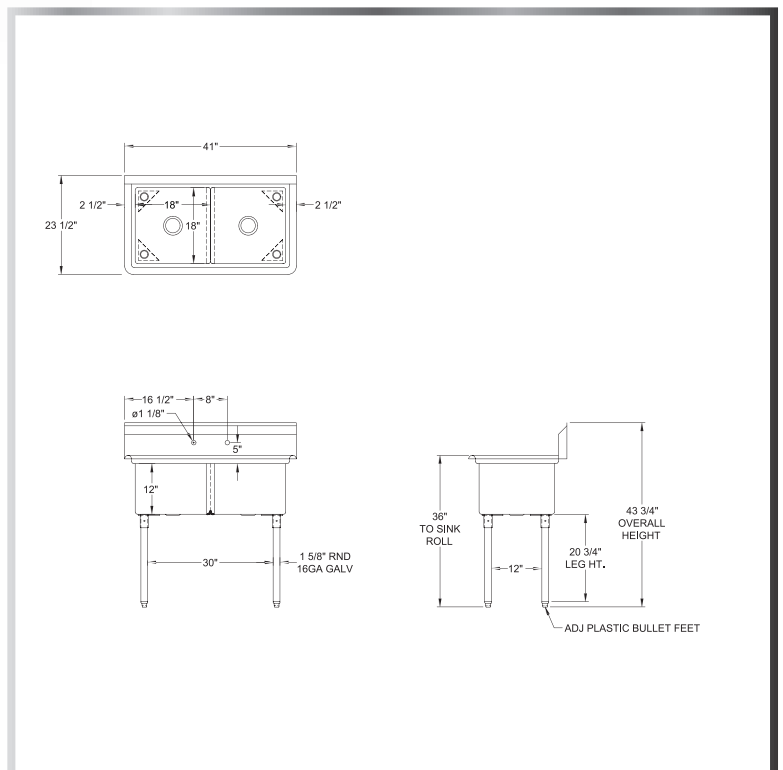


## MATERIALS

- 18 Gauge 304 Stainless Steel; Fabricated
- Galvanized Legs and Gussets
- Plastic Bullet Feet

## FEATURES

- 10"H Backsplash with 2" Return to Wall
- 8" On-Center Wall-Mounted Faucet Holes
- 3-½" Die-Stamped Drain Opening With Drain Baskets Included
  - Adjustable Bullet Feet



Include a Faucet, Waste Drain, and More With Your Order!  
(See Pages 76-82)

MODEL NUMBER	BOWL SIZE L X W X H	LENGTH	WIDTH
2SG-162012	16" x 20" x 12"	37"	25-½"
2SG-181812	18" x 18" x 12"	41"	23-½"
2SG-242414	24" x 24" x 14"	53"	29-½"

(609) 642 - 8389 | SALES@NBREQUIPMENT.COM | WWW.NBREQUIPMENT.COM

NBR EQUIPMENT, 10 ABEEL ROAD, CRANBURY, NJ 08512

# ECONOMY 2-BOWL 1-DRAINBOARD SINK (LEFT)

SINKS - 2 BOWLS

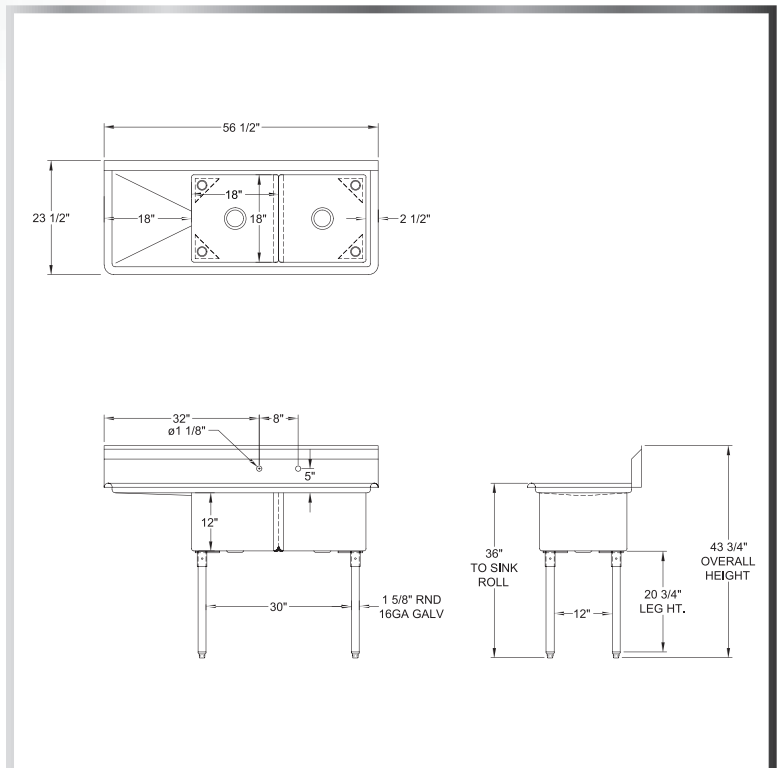


## MATERIALS

- 18 Gauge 304 Stainless Steel; Fabricated
- Galvanized Legs and Gussets
- Plastic Bullet Feet

## FEATURES

- 10"H Backsplash with 2" Return to Wall
- 8" On-Center Wall-Mounted Faucet Holes
- 3-½" Die-Stamped Drain Opening With Drain Baskets Included
  - One Drainboard (Left Side)
  - Adjustable Bullet Feet



Include a Faucet, Waste Drain, and More  
With Your Order!  
(See Pages 76-82)

MODEL NUMBER	BOWL SIZE L X W X H	LENGTH	WIDTH	DRAINBOARD SIZE
2SG-162012L18	16" x 20" x 12"	52-½"	25-½"	18"
2SG-181812L18	18" x 18" x 12"	56-½"	23-½"	18"
2SG-242414L24	24" x 24" x 14"	74-½"	29-½"	24"

(609) 642 - 8389 | SALES@NBREQUIPMENT.COM | WWW.NBREQUIPMENT.COM

NBR EQUIPMENT, 10 ABEEL ROAD, CRANBURY, NJ 08512

# ECONOMY 2-BOWL 1-DRAINBOARD SINK (RIGHT)



SINKS - 2 BOWLS

## MATERIALS

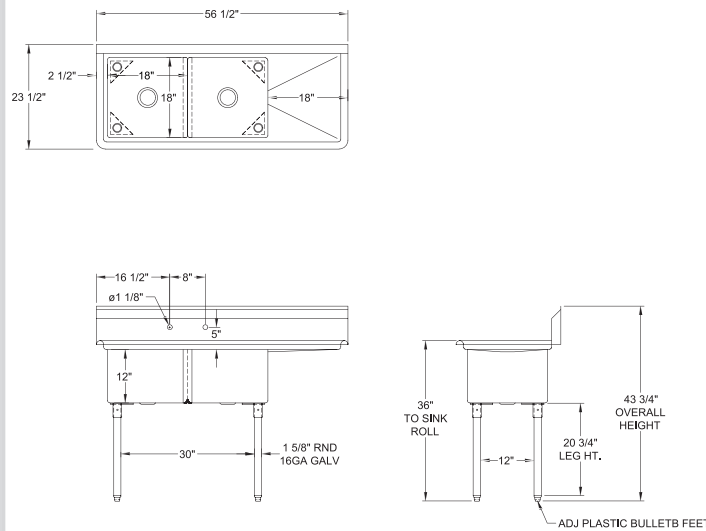
- 18 Gauge 304 Stainless Steel; Fabricated
  - Galvanized Legs and Gussets
    - Plastic Bullet Feet



## FEATURES

- 10"H Backsplash with 2" Return to Wall
- 8" On-Center Wall-Mounted Faucet Holes
- 3-1/2" Die-Stamped Drain Opening With Drain Baskets Included
- One Drainboard (Right Side)
- Adjustable Bullet Feet

Include a Faucet, Waste Drain, and More  
With Your Order!  
(See Pages 76-82)



MODEL NUMBER	BOWL SIZE L X W X H	LENGTH	WIDTH	DRAINBOARD SIZE
2SG-162012R18	16" x 20" x 12"	52-1/2"	25-1/2"	18"
2SG-181812R18	18" x 18" x 12"	56-1/2"	23-1/2"	18"
2SG-242414R24	24" x 24" x 14"	74-1/2"	29-1/2"	24"

(609) 642 - 8389 | SALES@NBREQUIPMENT.COM | WWW.NBREQUIPMENT.COM

NBR EQUIPMENT, 10 ABEEL ROAD, CRANBURY, NJ 08512

# ECONOMY 2-BOWL 2-DRAINBOARD SINK



SINKS - 2 BOWLS



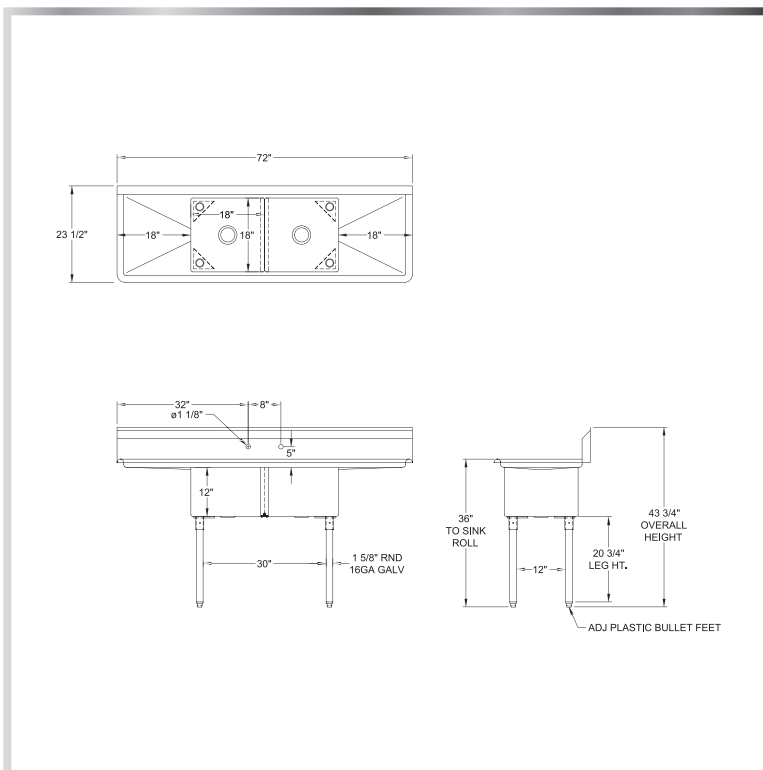
## MATERIALS

- 18 Gauge 304 Stainless Steel; Fabricated
  - Galvanized Legs and Gussets
  - Plastic Bullet Feet

## FEATURES

- 10"H Backsplash with 2" Return to Wall
- 8" On-Center Wall-Mounted Faucet Holes
- 3-1/2" Die-Stamped Drain Opening With Drain Baskets Included
- Two Drainboards (1 on Each Side)
- Adjustable Bullet Feet

Include a Faucet, Waste Drain, and More  
With Your Order!  
(See Pages 76-82)



MODEL NUMBER	BOWL SIZE L X W X H	LENGTH	WIDTH	DRAINBOARD SIZE
2SG-162012LR18	16" x 20" x 12"	68"	25-1/2"	18"
2SG-181812LR18	18" x 18" x 12"	72"	23-1/2"	18"
2SG-202012LR18	20" x 20" x 12"	76"	25-1/2"	18"
2SG-242414LR24	24" x 24" x 14"	96"	29-1/2"	24"

(609) 642 - 8389 | SALES@NBREQUIPMENT.COM | WWW.NBREQUIPMENT.COM  
NBR EQUIPMENT, 10 ABEEL ROAD, CRANBURY, NJ 08512

# PREMIUM 3-BOWL SINK

## SINKS - 3 BOWLS



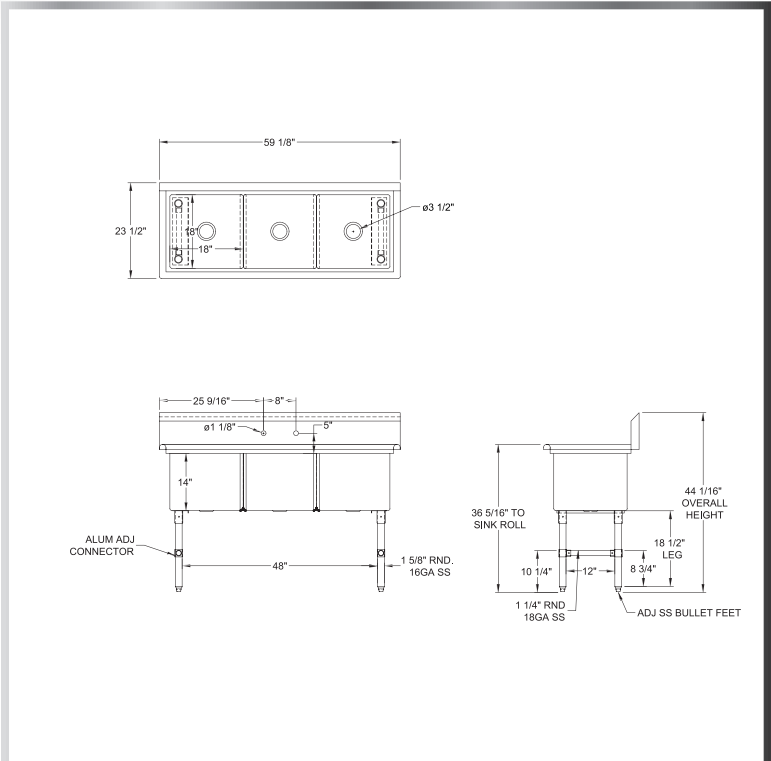
## MATERIALS

- 16 Gauge 304 Stainless Steel; Fabricated
- Stainless Steel Legs, Gussets, Cross-Bracing, and Bullet Feet

## FEATURES

- 10"H Backsplash with 2" Return to Wall
- 8" On-Center Wall-Mounted Faucet Holes (\* Has 2 Sets)
- 3-1/2" Die-Stamped Drain Opening With Drain Baskets Included
- Cross-Bracing for Reinforced Support
  - Adjustable Bullet Feet

Include a Faucet, Waste Drain, and More  
With Your Order!  
(See Pages 76-82)



MODEL NUMBER	BOWL SIZE L X W X H	LENGTH	WIDTH
3SS-162014	16" x 20" x 14"	53-1/8"	25-1/2"
3SS-181814	18" x 18" x 14"	59-1/8"	23-1/2"
3SS-182414	18" x 24" x 14"	59-1/8"	29-1/2"
3SS-203014	20" x 30" x 14"	65-1/8"	35-1/2"
3SS-242414*	24" x 24" x 14"	77-1/8"	29-1/2"

(609) 642 - 8389 | SALES@NBREQUIPMENT.COM | WWW.NBREQUIPMENT.COM

NBR EQUIPMENT, 10 ABEEL ROAD, CRANBURY, NJ 08512

# PREMIUM 3-BOWL 1-DRAINBOARD SINK (LEFT)



SINKS - 3 BOWLS

## MATERIALS

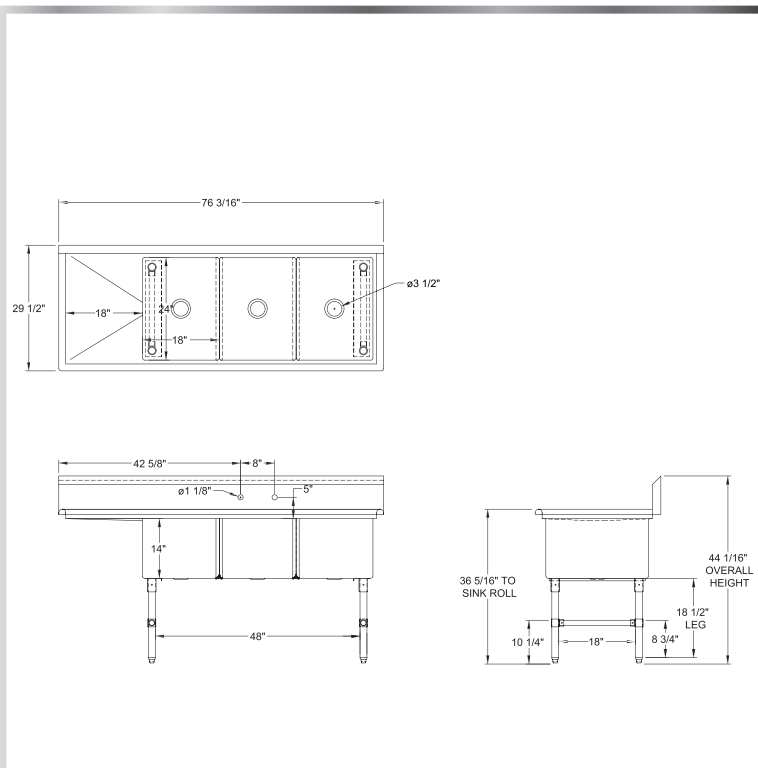
- 16 Gauge 304 Stainless Steel; Fabricated
- Stainless Steel Legs, Gussets, Cross-Bracing, and Bullet Feet



## FEATURES

- 10"H Backsplash with 2" Return to Wall
- 8" On-Center Wall-Mounted Faucet Holes (\* Has 2 Sets)
- 3-1/2" Die-Stamped Drain Opening With Drain Baskets Included
- One Drainboard (Left Side)
- Cross-Bracing for Reinforced Support
- Adjustable Bullet Feet

Include a Faucet, Waste Drain, and More With Your Order!  
(See Pages 76-82)



MODEL NUMBER	BOWL SIZE L X W X H	LENGTH	WIDTH	DRAINBOARD SIZE
3SS-162014L18	16" x 20" x 14"	70- <sup>3</sup> / <sub>16</sub> "	25- <sup>1</sup> / <sub>2</sub> "	18"
3SS-181814L18	18" x 18" x 14"	76- <sup>3</sup> / <sub>16</sub> "	23- <sup>1</sup> / <sub>2</sub> "	18"
3SS-182414L18	18" x 24" x 14"	76- <sup>3</sup> / <sub>16</sub> "	29- <sup>1</sup> / <sub>2</sub> "	18"
3SS-203014L18	20" x 30" x 14"	82- <sup>3</sup> / <sub>16</sub> "	35- <sup>1</sup> / <sub>2</sub> "	18"
3SS-242414L18*	24" x 24" x 14"	94- <sup>3</sup> / <sub>16</sub> "	29- <sup>1</sup> / <sub>2</sub> "	18"
3SS-242414L24*	24" x 24" x 14"	100- <sup>3</sup> / <sub>16</sub> "	29- <sup>1</sup> / <sub>2</sub> "	24"

(609) 642 - 8389 | SALES@NBREQUIPMENT.COM | WWW.NBREQUIPMENT.COM

NBR EQUIPMENT, 10 ABEEL ROAD, CRANBURY, NJ 08512



# PREMIUM 3-BOWL 1-DRAINBOARD SINK (RIGHT)

SINKS - 3 BOWLS

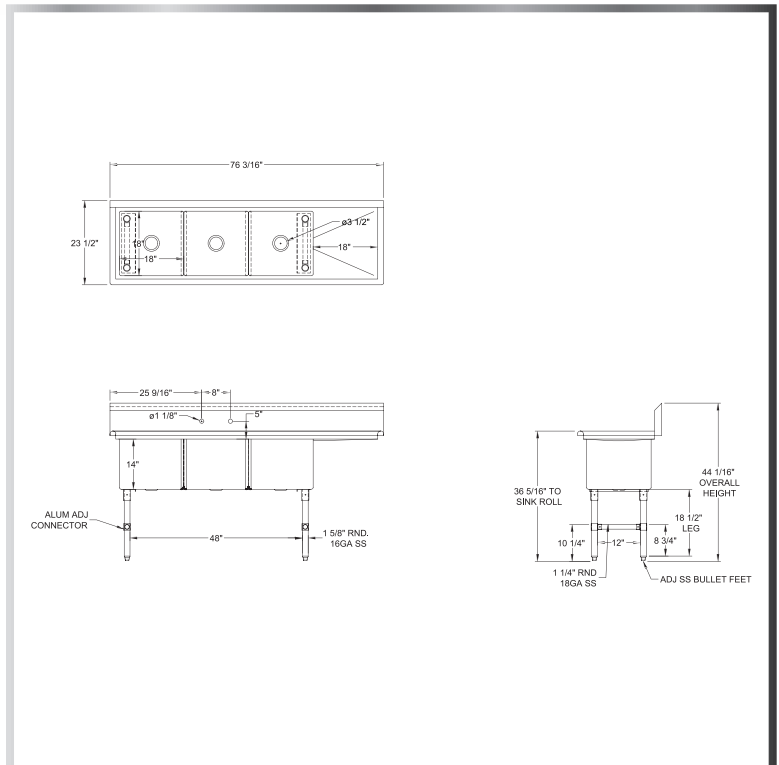


## MATERIALS

- 16 Gauge 304 Stainless Steel; Fabricated
- Stainless Steel Legs, Gussets, Cross-Bracing, and Bullet Feet

## FEATURES

- 10"H Backsplash with 2" Return to Wall
- 8" On-Center Wall-Mounted Faucet Holes (\* Has 2 Sets)
- 3-1/2" Die-Stamped Drain Opening With Drain Baskets Included
- One Drainboard (Right Side)
- Cross-Bracing for Reinforced Support
- Adjustable Bullet Feet



Include a Faucet, Waste Drain, and More  
With Your Order!  
(See Pages 76-82)

MODEL NUMBER	BOWL SIZE L X W X H	LENGTH	WIDTH	DRAINBOARD SIZE
3SS-162014R18	16" x 20" x 14"	70- <sup>3</sup> / <sub>16</sub> "	25- <sup>1</sup> / <sub>2</sub> "	18"
3SS-181814R18	18" x 18" x 14"	76- <sup>3</sup> / <sub>16</sub> "	23- <sup>1</sup> / <sub>2</sub> "	18"
3SS-182414R18	18" x 24" x 14"	76- <sup>3</sup> / <sub>16</sub> "	29- <sup>1</sup> / <sub>2</sub> "	18"
3SS-203014R18	20" x 30" x 14"	82- <sup>3</sup> / <sub>16</sub> "	35- <sup>1</sup> / <sub>2</sub> "	18"
3SS-242414R18*	24" x 24" x 14"	96- <sup>3</sup> / <sub>16</sub> "	29- <sup>1</sup> / <sub>2</sub> "	18"
3SS-242414R24*	24" x 24" x 14"	100- <sup>3</sup> / <sub>16</sub> "	29- <sup>1</sup> / <sub>2</sub> "	24"

(609) 642 - 8389 | SALES@NBREQUIPMENT.COM | WWW.NBREQUIPMENT.COM

NBR EQUIPMENT, 10 ABEEL ROAD, CRANBURY, NJ 08512

# PREMIUM 3-BOWL 2-DRAINBOARD SINK



## SINKS - 3 BOWLS



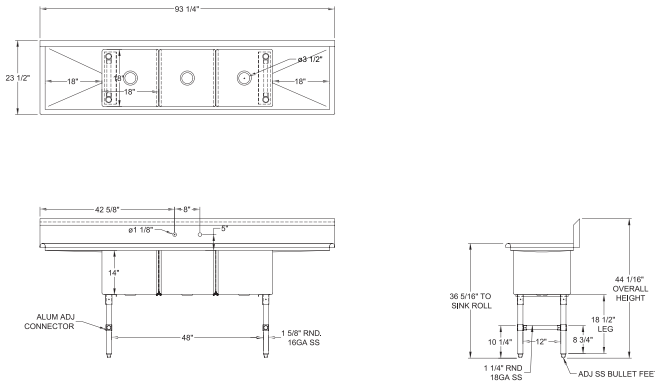
## MATERIALS

- 16 Gauge 304 Stainless Steel; Fabricated
- Stainless Steel Legs, Gussets, Cross-Bracing, and Bullet Feet

## FEATURES

- 10"H Backsplash with 2" Return to Wall
- 8" On-Center Wall-Mounted Faucet Holes (\* Has 2 Sets)
- 3-1/2" Die-Stamped Drain Opening With Drain Baskets Included
- Two Drainboards (1 on Each Side)
- Cross-Bracing for Reinforced Support
- Adjustable Bullet Feet

Include a Faucet, Waste Drain, and More With Your Order!  
(See Pages 76-82)



MODEL NUMBER	BOWL SIZE L X W X H	LENGTH	WIDTH	DRAINBOARD SIZE
3SS-143114LR18	14" x 31" x 14"	81-1/4"	36-1/2"	18"
3SS-162014LR18	16" x 20" x 14"	87-1/4"	25-1/2"	18"
3SS-162014LR24	16" x 20" x 14"	99-1/4"	25-1/2"	24"
3SS-162014LR36	16" x 20" x 14"	123-1/4"	25-1/2"	36"
3SS-181814LR18	18" x 18" x 14"	93-1/4"	23-1/2"	18"
3SS-182414LR18	18" x 24" x 14"	93-1/4"	29-1/2"	18"
3SS-182414LR24	18" x 24" x 14"	105-1/4"	29-1/2"	24"
3SS 203014LR20	20" x 30" x 14"	103-1/4"	35-1/2"	20"
3SS-203014LR24	20" x 30" x 14"	111-1/4"	35-1/2"	24"
3SS-203014LR30	20" x 30" x 14"	123-1/4"	35-1/2"	30"
3SS-242414LR24*	24" x 24" x 14"	123-1/4"	29-1/2"	24"

(609) 642 - 8389 | SALES@NBREQUIPMENT.COM | WWW.NBREQUIPMENT.COM

NBR EQUIPMENT, 10 ABEEL ROAD, CRANBURY, NJ 08512

# ECONOMY 3-BOWL SINK

## SINKS - 3 BOWLS

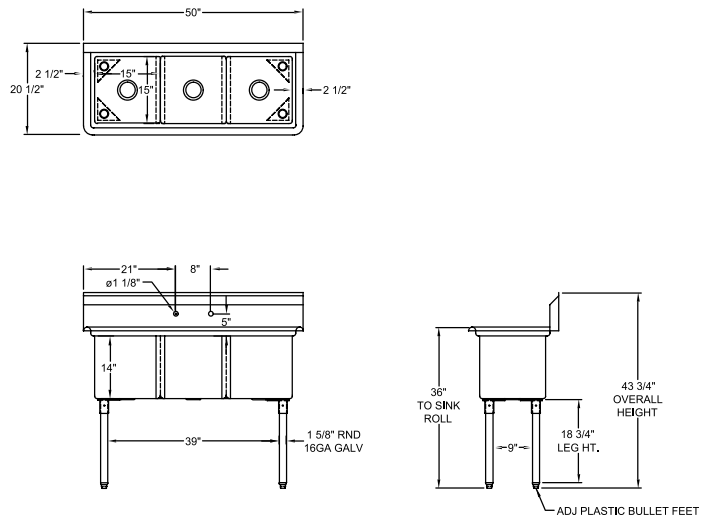


## MATERIALS

- 18 Gauge 304 Stainless Steel; Fabricated
- Galvanized Legs and Gussets
- Plastic Bullet Feet

## FEATURES

- 10"H Backsplash with 2" Return to Wall
- 8" On-Center Wall-Mounted Faucet Holes (\* Has 2 Sets)
- 3-1/2" Die-Stamped Drain Opening With Drain Baskets Included
  - Adjustable Bullet Feet



Include a Faucet, Waste Drain, and More With Your Order!  
(See Pages 76-82)

MODEL NUMBER	BOWL SIZE L X W X H	LENGTH	WIDTH
3SG-101410	10" x 14" x 10"	35"	19-1/2"
3SG-151514	15" x 15" x 14"	50"	20-1/2"
3SG-162012	16" x 20" x 12"	53"	25-1/2"
3SG-181812	18" x 18" x 12"	59"	23-1/2"
3SG-242414*	24" x 24" x 14"	77"	29-1/2"

(609) 642 - 8389 | SALES@NBREQUIPMENT.COM | WWW.NBREQUIPMENT.COM

NBR EQUIPMENT, 10 ABEEL ROAD, CRANBURY, NJ 08512

# ECONOMY 3-BOWL 1-DRAINBOARD SINK (LEFT)

SINKS - 3 BOWLS

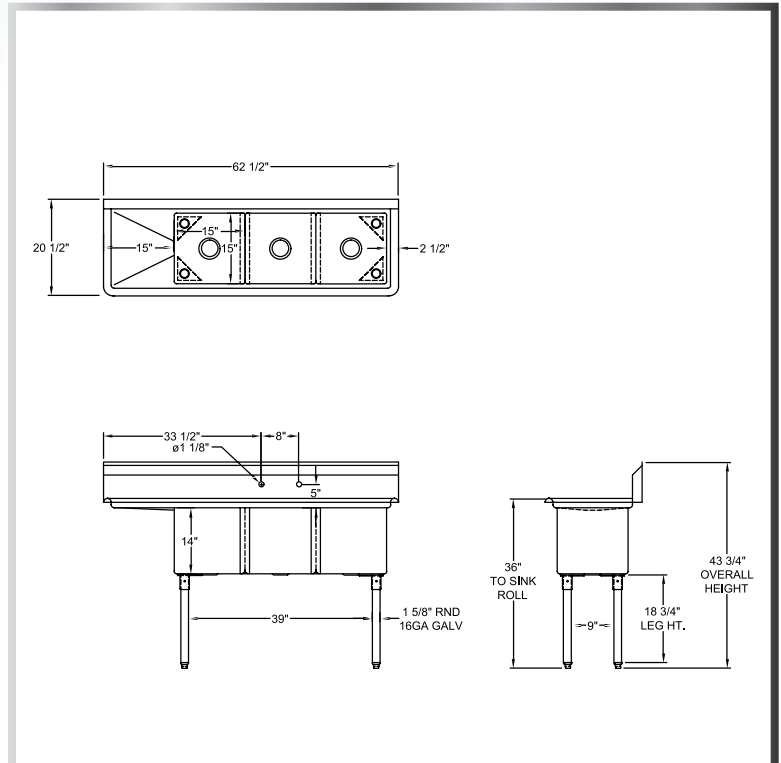


## MATERIALS

- 18 Gauge 304 Stainless Steel; Fabricated
- Galvanized Legs and Gussets
- Plastic Bullet Feet

## FEATURES

- 10"H Backsplash with 2" Return to Wall
- 8" On-Center Wall-Mounted Faucet Holes (\* Has 2 Sets)
- 3-1/2" Die-Stamped Drain Opening With Drain Baskets Included
  - One Drainboard (Left Side)
  - Adjustable Bullet Feet



Include a Faucet, Waste Drain, and More  
With Your Order!  
(See Pages 76-82)

MODEL NUMBER	BOWL SIZE L X W X H	LENGTH	WIDTH	DRAINBOARD SIZE
3SG-101410L15	10" x 14" x 10"	47-1/2"	19-1/2"	15"
3SG-151514L15	15" x 15" x 14"	62-1/2"	20-1/2"	15"
3SG-162012L18	16" x 20" x 12"	68-1/2"	25-1/2"	18"
3SG-181812L18	18" x 18" x 12"	74-1/2"	23-1/2"	18"
3SG-182414L24	18" x 24" x 14"	80-1/2"	29-1/2"	24"
3SG-242414L24*	24" x 24" x 14"	98-1/2"	29-1/2"	24"

(609) 642 - 8389 | SALES@NBREQUIPMENT.COM | WWW.NBREQUIPMENT.COM

NBR EQUIPMENT, 10 ABEEL ROAD, CRANBURY, NJ 08512

# ECONOMY 3-BOWL 1-DRAINBOARD SINK (RIGHT)

SINKS - 3 BOWLS



## MATERIALS

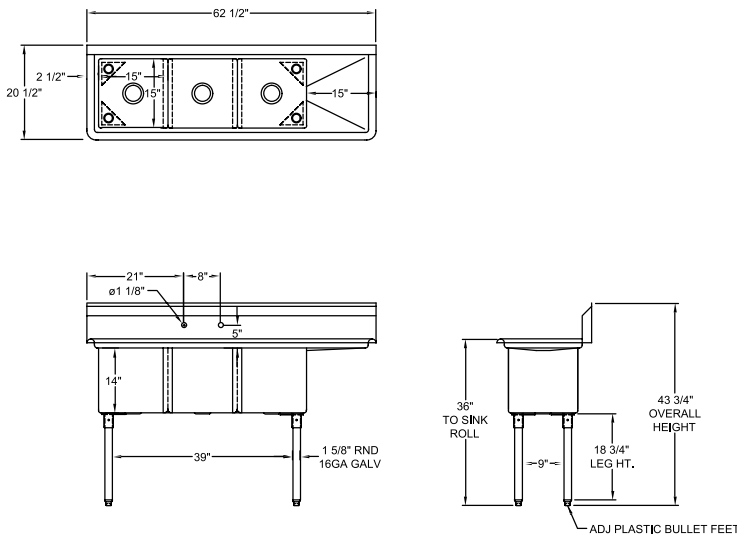
- 18 Gauge 304 Stainless Steel; Fabricated
  - Galvanized Legs and Gussets
  - Plastic Bullet Feet



## FEATURES

- 10"H Backsplash with 2" Return to Wall
- 8" On-Center Wall-Mounted Faucet Holes (\* Has 2 Sets)
- 3-1/2" Die-Stamped Drain Opening With Drain Baskets Included
- One Drainboard (Right Side)
- Adjustable Bullet Feet

Include a Faucet, Waste Drain, and More  
With Your Order!  
(See Pages 76-82)



MODEL NUMBER	BOWL SIZE L X W X H	LENGTH	WIDTH	DRAINBOARD SIZE
3SG-101410R15	10" x 14" x 10"	47-1/2"	19-1/2"	15"
3SG-151514R15	15" x 15" x 14"	62-1/2"	20-1/2"	15"
3SG-151514R24	15" x 15" x 14"	71-1/2"	20-1/2"	24"
3SG-162012R18	16" x 20" x 12"	68-1/2"	25-1/2"	18"
3SG-181812R18	18" x 18" x 12"	74-1/2"	23-1/2"	18"
3SG-182414R24	18" x 24" x 14"	80-1/2"	29-1/2"	24"
3SG-242414R24*	24" x 24" x 14"	98-1/2"	29-1/2"	24"

(609) 642 - 8389 | SALES@NBREQUIPMENT.COM | WWW.NBREQUIPMENT.COM

NBR EQUIPMENT, 10 ABEEL ROAD, CRANBURY, NJ 08512

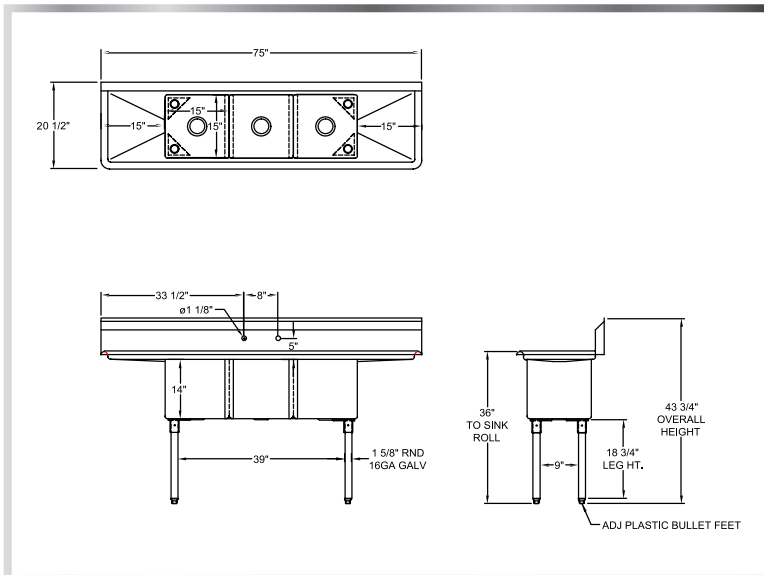
# ECONOMY 3-BOWL 2-DRAINBOARD SINK



SINKS - 3 BOWLS

## MATERIALS

- 18 Gauge 304 Stainless Steel; Fabricated
  - Galvanized Legs and Gussets
  - Plastic Bullet Feet



## FEATURES

- 10"H Backsplash with 2" Return to Wall
- 8" On-Center Wall-Mounted Faucet Holes (\* Has 2 Sets)
- 3-1/2" Die-Stamped Drain Opening With Drain Baskets Included
- Two Drainboards (1 on Each Side)
- Adjustable Bullet Feet

MODEL NUMBER	BOWL SIZE L X W X H	LENGTH	WIDTH	DRAINBOARD SIZE
3SG-101410LR15	10" x 14" x 10"	60"	19-1/2"	15"
3SG-122012LR12	12" x 20" x 12"	60"	25-1/2"	12"
3SG-141612LR12	14" x 16" x 12"	66"	21-1/2"	12"
3SG-151514LR15	15" x 15" x 14"	75"	20-1/2"	15"
3SG-162012LR18	16" x 20" x 12"	84"	25-1/2"	18"
3SG-162014LR18	16" x 20" x 14"	84"	25-1/2"	18"
3SG-181812LR18	18" x 18" x 12"	90"	23-1/2"	18"
3SG-181814LR18	18" x 18" x 14"	90"	23-1/2"	18"
3SG-181814LR24	18" x 18" x 14"	102"	23-1/2"	24"
3SG-182414LR18	18" x 24" x 14"	90"	29-1/2"	18"
3SG-182414LR24	18" x 24" x 14"	102"	29-1/2"	24"
3SG-202012LR18	20" x 20" x 12"	96"	25-1/2"	18"
3SG-202014LR24	20" x 20" x 14"	108"	25-1/2"	24"
3SG-203012LR20	20" x 30" x 12"	100"	35-1/2"	20"
3SG-203014LR24	20" x 30" x 14"	108"	35-1/2"	24"
3SG-242414LR24*	24" x 24" x 14"	120"	29-1/2"	24"

(609) 642 - 8389 | SALES@NBREQUIPMENT.COM | WWW.NBREQUIPMENT.COM

NBR EQUIPMENT, 10 ABEEL ROAD, CRANBURY, NJ 08512

# PREMIUM 4-BOWL 2-DRAINBOARD SINK

SINKS - 4 BOWLS

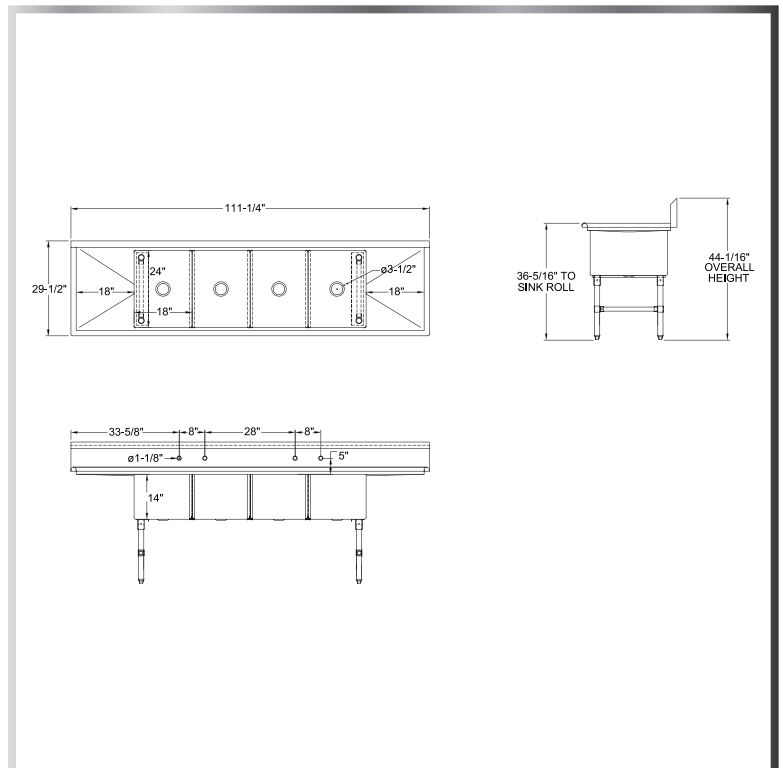


## MATERIALS

- 16 Gauge 304 Stainless Steel; Fabricated
- Stainless Steel Legs, Gussets, Cross-Bracing, and Bullet Feet

## FEATURES

- 10"H Backsplash with 2" Return to Wall
- Two Sets of 8" On-Center Wall-Mounted Faucet Holes
- 3-1/2" Die-Stamped Drain Opening With Drain Baskets Included
  - Two Drainboards (1 on Each Side)
  - Cross-Bracing for Reinforced Support
    - Adjustable Bullet Feet



Include a Faucet, Waste Drain, and More  
With Your Order!  
(See Pages 76-82)

MODEL NUMBER	BOWL SIZE L X W X H	LENGTH	WIDTH	DRAINBOARD SIZE
4SS-182414LR18*	18" x 24" x 14"	111-1/4"	29-1/2"	18"

(609) 642 - 8389 | SALES@NBREQUIPMENT.COM | WWW.NBREQUIPMENT.COM

NBR EQUIPMENT, 10 ABEEL ROAD, CRANBURY, NJ 08512



# ECONOMY 4-BOWL 2-DRAINBOARD SINK

SINKS - 4 BOWLS



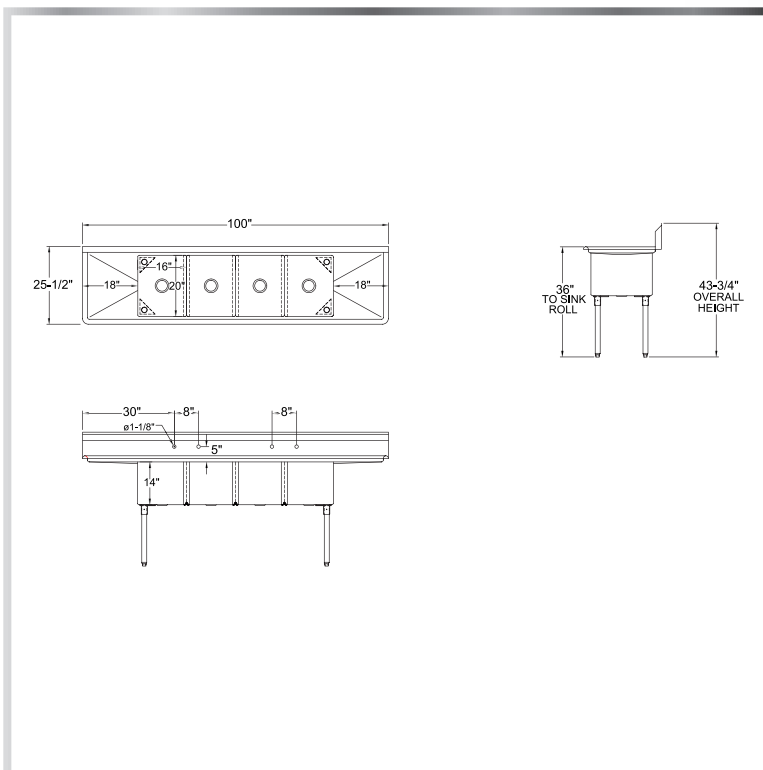
## MATERIALS

- 18 Gauge 304 Stainless Steel; Fabricated
  - Galvanized Legs and Gussets
  - Plastic Bullet Feet

## FEATURES

- 10"H Backsplash with 2" Return to Wall
- 8" On-Center Wall-Mounted Faucet Holes (\* Has 2 Sets)
- 3-1/2" Die-Stamped Drain Opening With Drain Baskets Included
- Two Drainboards (1 on Each Side)
- Adjustable Bullet Feet

Include a Faucet, Waste Drain, and More With Your Order!  
(See Pages 76-82)



MODEL NUMBER	BOWL SIZE L X W X H	LENGTH	WIDTH	DRAINBOARD SIZE
4SG-162014LR18*	16" x 20" x 14"	100"	25-1/2"	18"

# ECONOMY 3-BOWL 2-DRAINBOARD CORNER SINK

SINKS - CORNER

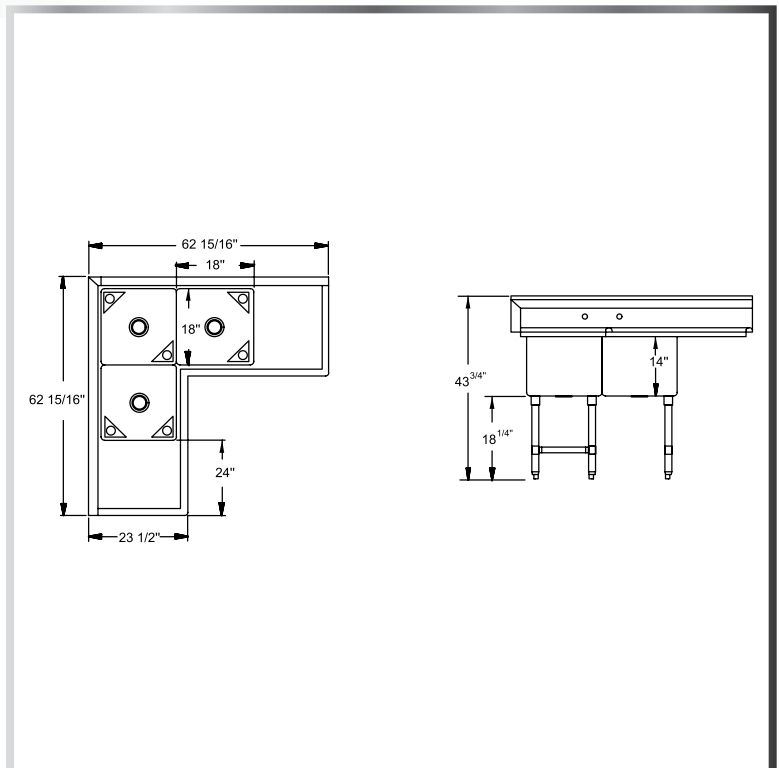


## MATERIALS

- 18 Gauge 304 Stainless Steel; Fabricated
- Galvanized Legs and Gussets
- Plastic Bullet Feet

## FEATURES

- 9"H Backsplash with 2" Return to Wall
- Two Sets of 8" On-Center Wall-Mounted Faucet Holes
- 3-½" Die-Stamped Drain Opening With Drain Baskets Included
  - Two Drainboards (1 on Each Side)
    - Coved Corners at ¾" Radius
    - Adjustable Bullet Feet



Include a Faucet, Waste Drain, and More  
With Your Order!  
(See Pages 76-82)

MODEL NUMBER	BOWL SIZE L X W X H	LENGTH	WIDTH	DRAINBOARD SIZE
3CSG-181814LR18	18" x 18" x 14"	56- <sup>15</sup> / <sub>16</sub> "	23- <sup>1</sup> / <sub>2</sub> "	18"
3CSG-181814LR24	18" x 18" x 14"	62- <sup>15</sup> / <sub>16</sub> "	23- <sup>1</sup> / <sub>2</sub> "	24"
3CSG-242414LR24	24" x 24" x 14"	74- <sup>15</sup> / <sub>16</sub> "	29- <sup>1</sup> / <sub>2</sub> "	24"

(609) 642 - 8389 | SALES@NBREQUIPMENT.COM | WWW.NBREQUIPMENT.COM

NBR EQUIPMENT, 10 ABEEL ROAD, CRANBURY, NJ 08512

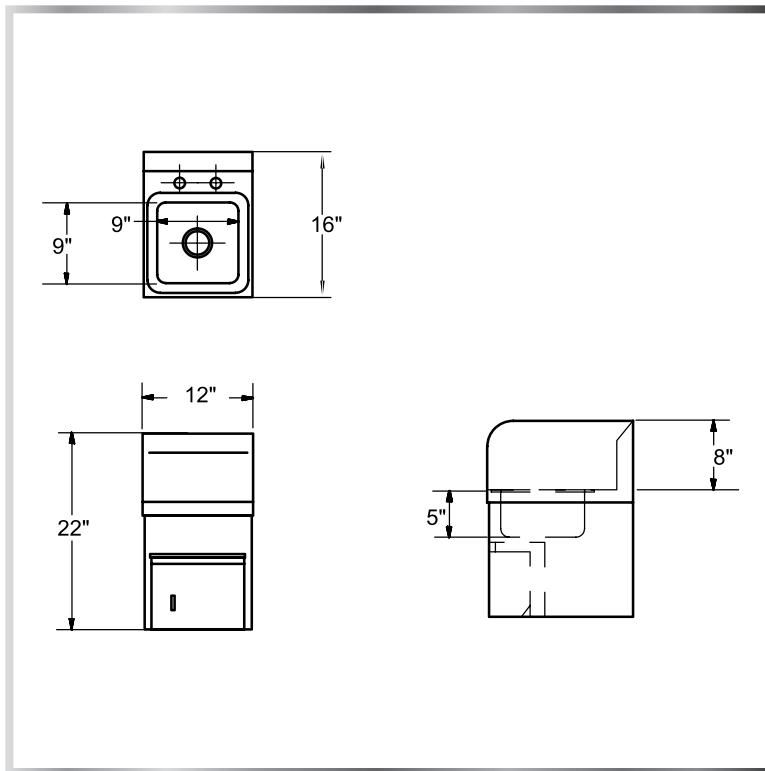
# SPACE SAVING HAND SINK

SINKS - HAND



## MATERIALS

- 18 Gauge 304 Stainless Steel; Fabricated



## FEATURES

- 4" On-Center Deck-Mounted Faucet Holes
- 8" Side and Backsplashes
- Includes Towel Dispenser and Drain Basket (STN-2)

Include a New 4" OC Faucet With Your Order!  
(See Page 78)

**MODEL NUMBER**

**HS1-D2-S**

**HAND SINK SIZE**

**9" x 9" x 5"**

# DECK-MOUNT HAND SINK

SINKS - HAND



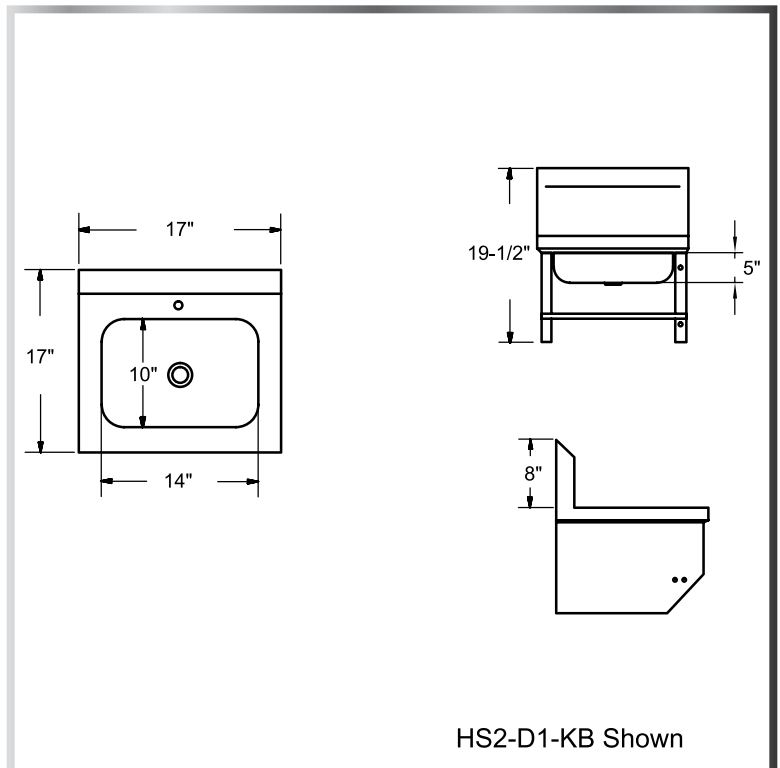
## MATERIALS

- 18 Gauge 304 Stainless Steel; Fabricated

## FEATURES

- Deck-Mounted Faucet Hole
  - 8" Backsplash
- Knee Valve Bracket For Hands-Free Operation
  - Stainless Side Skirts
- Drain Basket Included (STN-2)
- \* Has Side And Backsplashes

Include a Faucet With Your Order!  
(See Pages 77-80)



MODEL NUMBER	HAND SINK SIZE
HS2-D1-KB	14" x 10" x 5"
HS2-D1-LR-KB*	14" x 10" x 5"

# DECK-MOUNT HAND SINK

SINKS - HAND



## MATERIALS

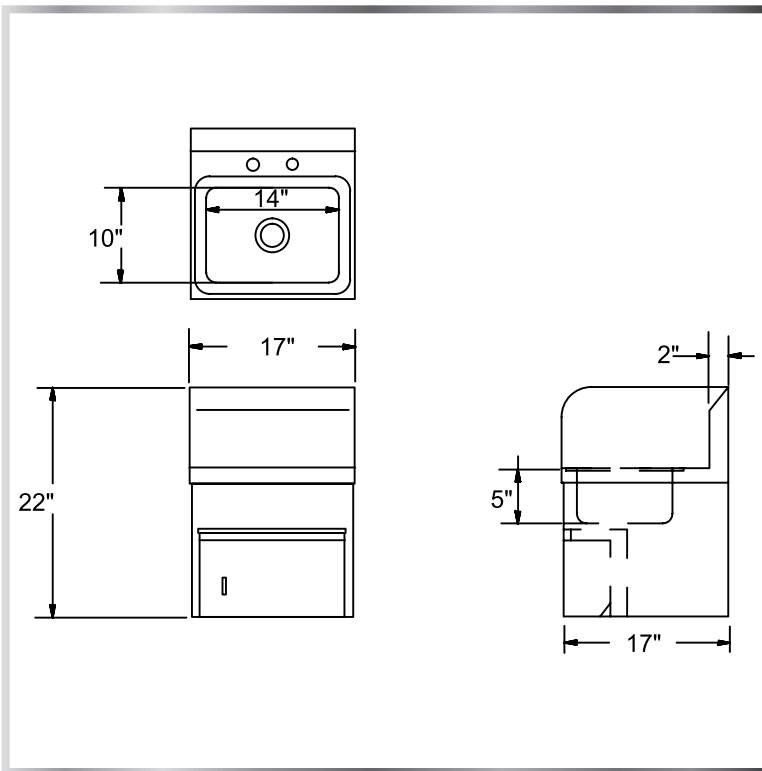
- 18 Gauge 304 Stainless Steel; Fabricated



## FEATURES

- 4" On-Center Deck-Mounted Faucet Holes
- Side and Backsplashes
- Includes Towel Dispenser and Drain Basket (STN-2)

Include a New 4" OC Faucet With Your Order!  
(See Page 78)



**MODEL NUMBER**

HS2-D2-S

**HAND SINK SIZE**

14" x 10" x 5"

# WALL-MOUNT HAND SINK

SINKS - HAND



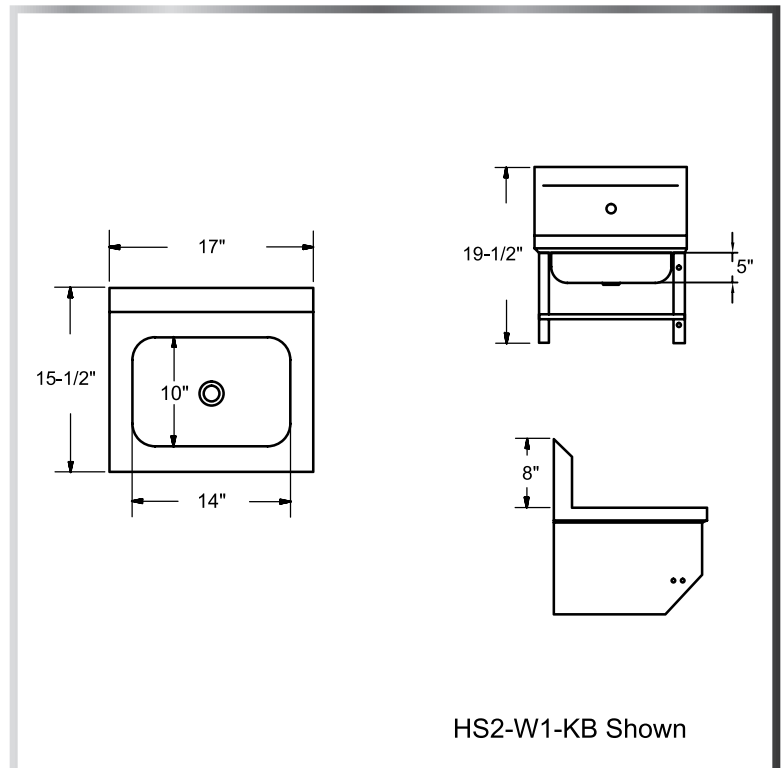
## MATERIALS

- 18 Gauge 304 Stainless Steel; Fabricated

## FEATURES

- Wall-Mounted Hole For Faucet
  - 8" Backsplash
- Knee Valve Bracket For Hands-Free Operation
  - Includes Drain (STN-2)
- \* Has Side And Backsplashes

Include a Faucet With Your Order!  
(See Pages 77-80)



### MODEL NUMBER

HS2-W1-KB

HS2-W1-LR-KB\*

### HAND SINK SIZE

14" x 10" x 5"

14" x 10" x 5"

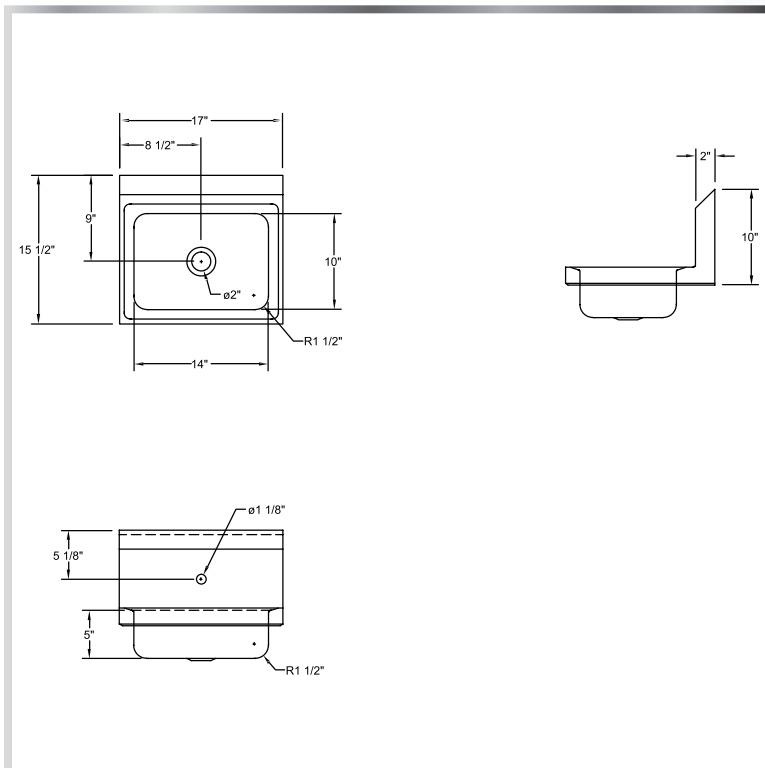
# WALL-MOUNT HAND SINK

SINKS - HAND



## MATERIALS

- 18 Gauge 304 Stainless Steel; Fabricated



## FEATURES

- Wall-Mounted Hole For Faucet
- 8" Backsplash
- Includes Drain (STN-2) and Mounting Kit

Include a Faucet With Your Order!  
(See Pages 77-80)

**MODEL NUMBER**

**HS2-W1**

**HAND SINK SIZE**

**14" x 10" x 5"**



# WALL-MOUNT HAND SINK

SINKS - HAND



HS2-W2-LR Pictured

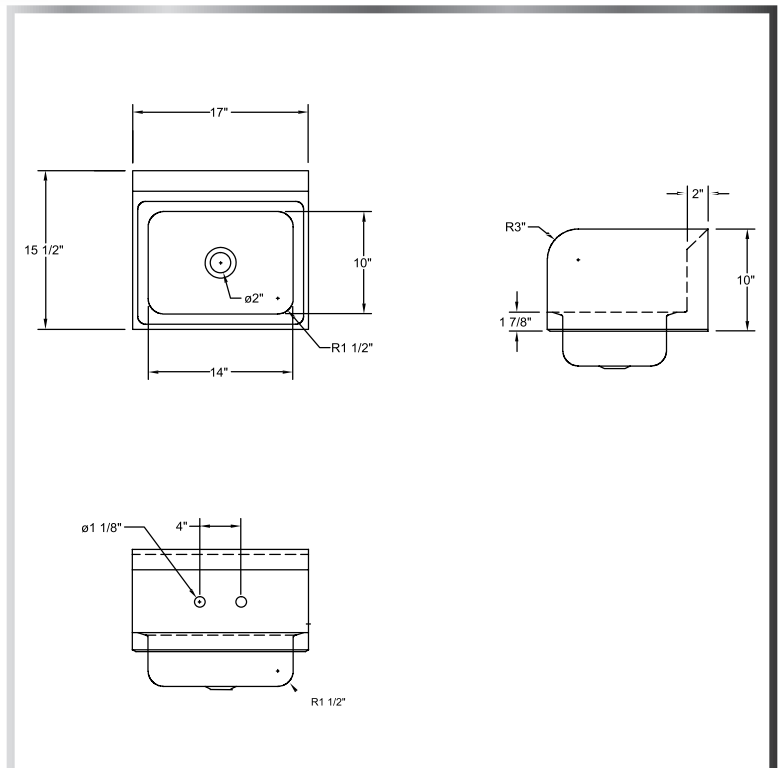
## MATERIALS

- 18 Gauge 304 Stainless Steel; Fabricated

## FEATURES

- 4" On-Center Wall-Mounted Holes For Faucet
  - 8" Backsplash
  - Includes Drain (STN-2) and Mounting Kit
  - \* Has Side And Backsplashes

Include a New 4" OC Faucet With Your Order!  
(See Page 78)



### MODEL NUMBER

HS2-W2-LR\*

HS2-W2

### HAND SINK SIZE

14" x 10" x 5"

14" x 10" x 5"

(609) 642 - 8389 | SALES@NBREQUIPMENT.COM | WWW.NBREQUIPMENT.COM

NBR EQUIPMENT, 10 ABEEL ROAD, CRANBURY, NJ 08512

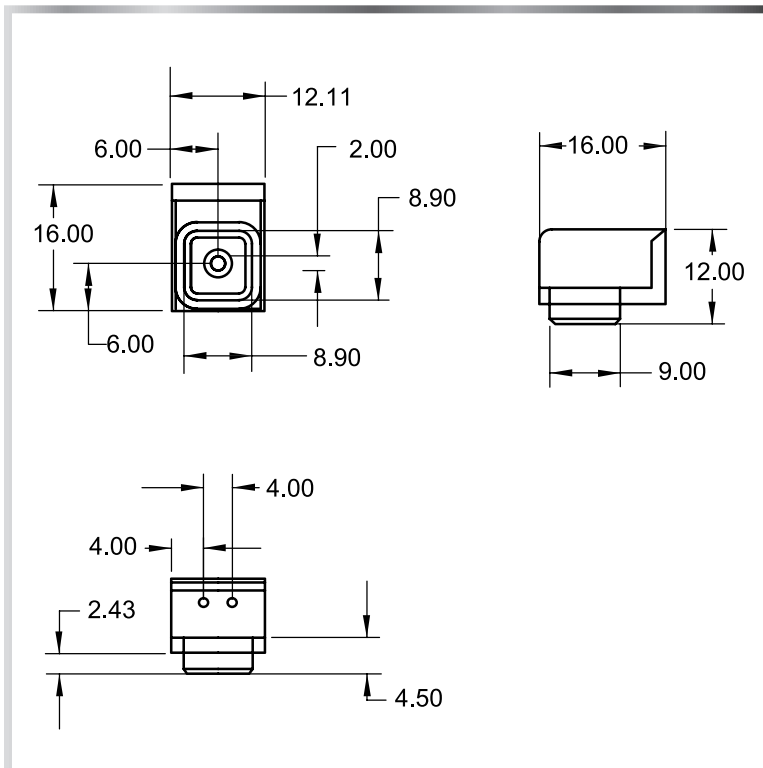
# WALL-MOUNT SPACE SAVER HAND SINK



SINKS - HAND

## MATERIALS

- 18 Gauge 304 Stainless Steel; Fabricated



## FEATURES

- Marine Edges
- 4" On-Center Wall-Mounted Faucet Holes
- 7-1/2" Splashes On Sides and Rear
- Includes Drain Basket (STN-2) and Mounting Kit

Include a New 4" OC Faucet With Your Order!  
(See Page 78)

**MODEL NUMBER**

HS1-W2-LR

**HAND SINK SIZE**

9" x 9" x 5"

# WALL-MOUNT SPACE SAVER HAND SINK WITH DISPENSERS

SINKS - HAND



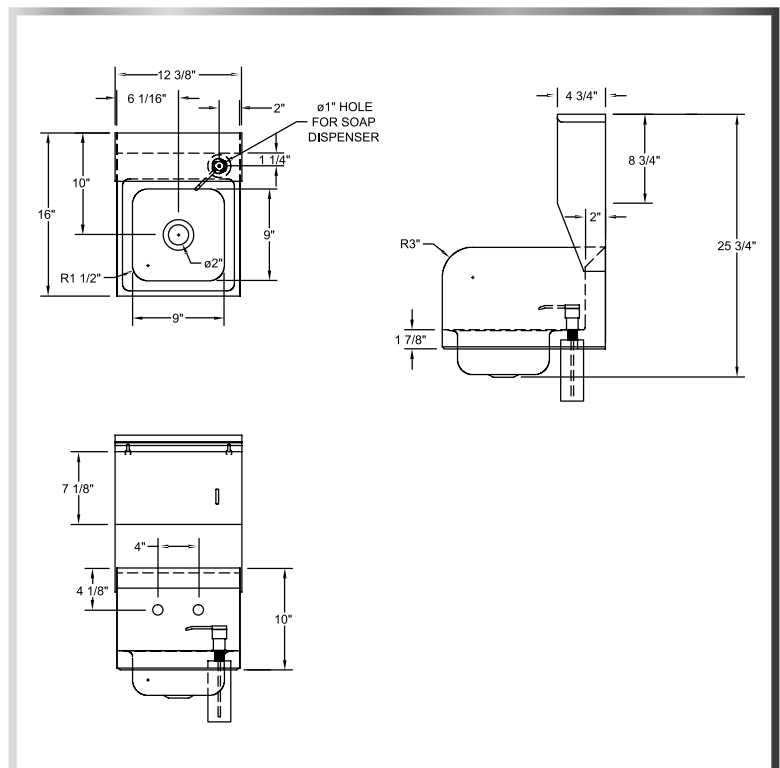
## MATERIALS

- 18 Gauge 304 Stainless Steel; Fabricated

## FEATURES

- Marine Edges
- 4" On-Center Wall-Mounted Faucet Holes
  - Side and Backsplashes
- Includes Towel Dispenser, Soap Dispenser, Mounting Kit and Drain Basket (STN-2)

Include a New 4" OC Faucet With Your Order!  
(See Page 78)



**MODEL NUMBER**

**HS1-W2-LR-TD**

**HAND SINK SIZE**

**9" x 9" x 5"**

(609) 642 - 8389 | SALES@NBREQUIPMENT.COM | WWW.NBREQUIPMENT.COM

NBR EQUIPMENT, 10 ABEEL ROAD, CRANBURY, NJ 08512

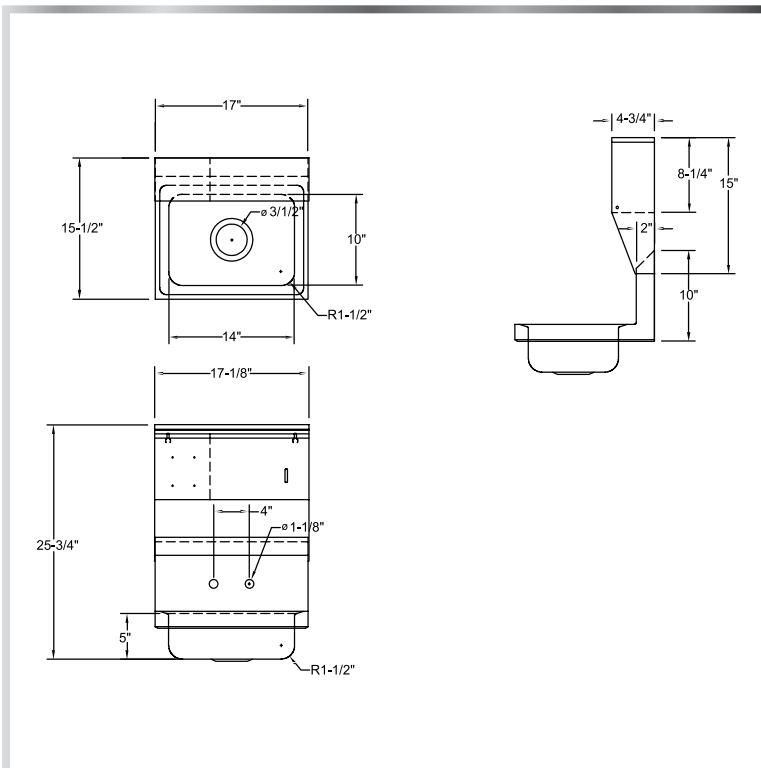
# WALL-MOUNT HAND SINK

SINKS - HAND



## MATERIALS

- 18 Gauge 304 Stainless Steel; Fabricated



## FEATURES

- 4" On-Center Wall-Mounted Faucet Holes
- 3-1/2" Drain Opening
- Includes Towel Dispenser, Soap Dispenser and Drain Basket (STN-3)

Include a New 4" OC Faucet With Your Order!  
(See Page 78)

**MODEL NUMBER**

**HS2-W2-4-TD**

**HAND SINK SIZE**

**14" x 10" x 5"**

# WALL-MOUNT PEDESTAL HAND SINK

SINKS - HAND

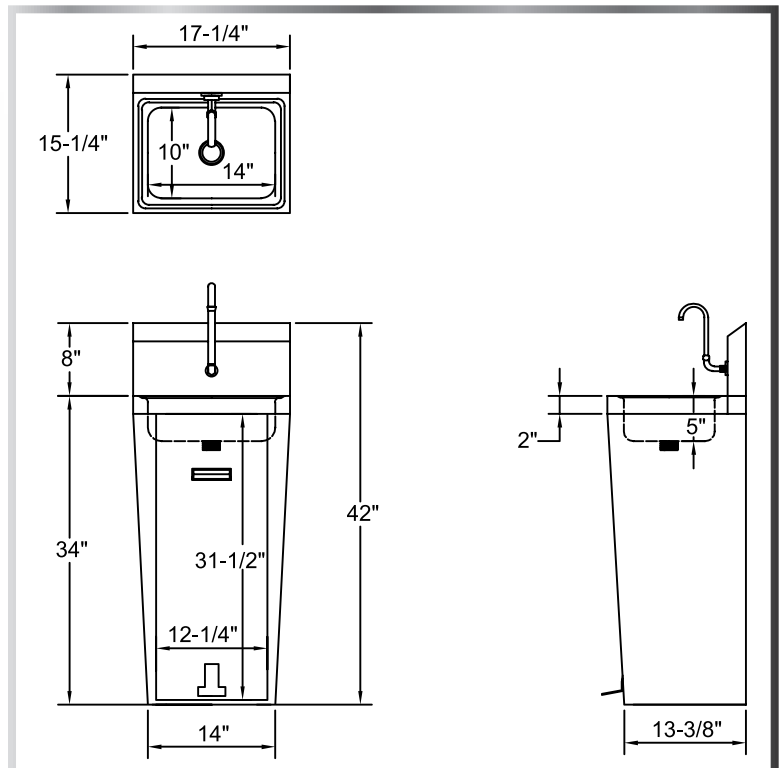


## MATERIALS

- 18 Gauge 304 Stainless Steel; Fabricated

## FEATURES

- **Wall-Mounted Gooseneck Faucet Now Included!**
- Stand With Pedestal Foot Valve For Hands-Free Operation
- Single Pedal Valves With 3/8" NPT Female Inlets
  - Includes Drain Basket (STN-2)



**MODEL NUMBER**

HS2-W1-PD

**HAND SINK SIZE**

14" x 10" x 5"

(609) 642 - 8389 | SALES@NBREQUIPMENT.COM | WWW.NBREQUIPMENT.COM

NBR EQUIPMENT, 10 ABEEL ROAD, CRANBURY, NJ 08512

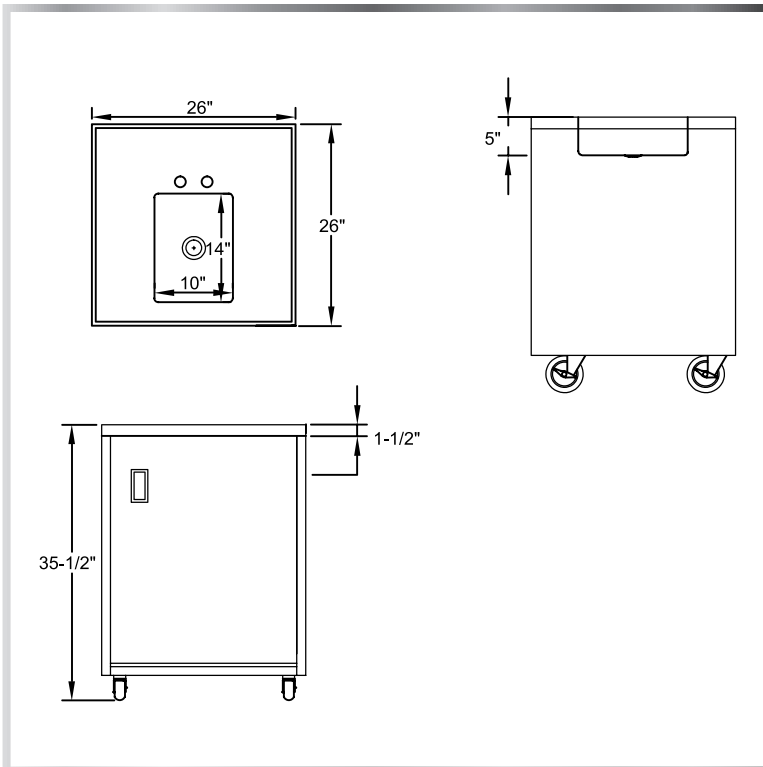
# MOBILE HAND SINK

## SINKS - MOBILE



### MATERIALS

- 16 Gauge 304 Stainless Steel Top
- 18 Gauge 304 Stainless Steel Body
- Stainless Steel Drain and Strainer
  - One Removable 5 Gallon Plastic Container for Fresh Water
  - One Removable 7 Gallon Plastic Container for Waste Water



**\*\*Add a Towel and Soap Dispenser Unit (TDU-26) and Hands-Free Faucet (F-HF)...See Below\*\***

### FEATURES

- Hinged Door With Latch
- 4" Plated Casters (2 with Brakes)

MODEL NUMBER	SIZE L X W X H	BOWL SIZE L X W X H
MHS-26	26" x 26" x 35-1/2"	10" x 14" x 5"

F-HF

Fully Assembled

TDU-26



(609) 642 - 8389 | SALES@NBREQUIPMENT.COM | WWW.NBREQUIPMENT.COM

NBR EQUIPMENT, 10 ABEEL ROAD, CRANBURY, NJ 08512

# MULTIPURPOSE HAND & UTILITY SINK

## SINKS - MULTIPURPOSE

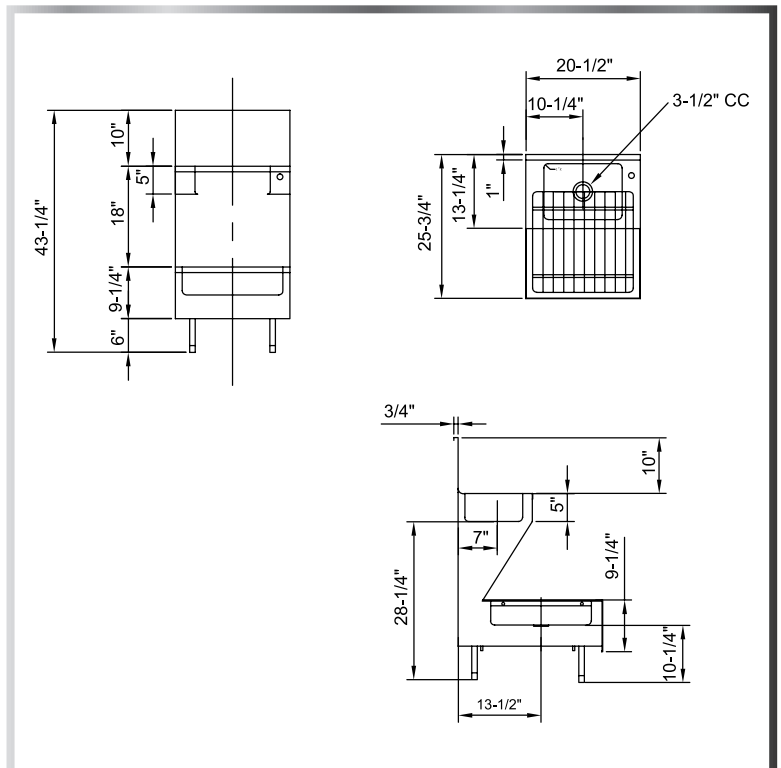


## MATERIALS

- 14 Gauge 304 Stainless Steel Deck; Fabricated
- 18 Gauge 304 Stainless Steel Base; Fabricated
- Stainless Steel Legs and Grating

## FEATURES

- 10" Backsplash
- Two 3-½" Drain Openings With Drain Baskets Included
  - 5" Deep Hand Sink
    - One Deck-Mounted Faucet Hole
- One Front-Mounted Pot Filler Faucet Hole
- 5" Deep Utility Sink With Marine Edges
  - Adjustable Bullet Feet



MODEL NUMBER	HAND SINK SIZE	UTILITY SINK SIZE	WIDTH	HEIGHT
HUSC-2025	14" x 10" x 5"	18" x 18" x 5"	20-½"	43-¼"

(609) 642 - 8389 | SALES@NBREQUIPMENT.COM | WWW.NBREQUIPMENT.COM

NBR EQUIPMENT, 10 ABEEL ROAD, CRANBURY, NJ 08512



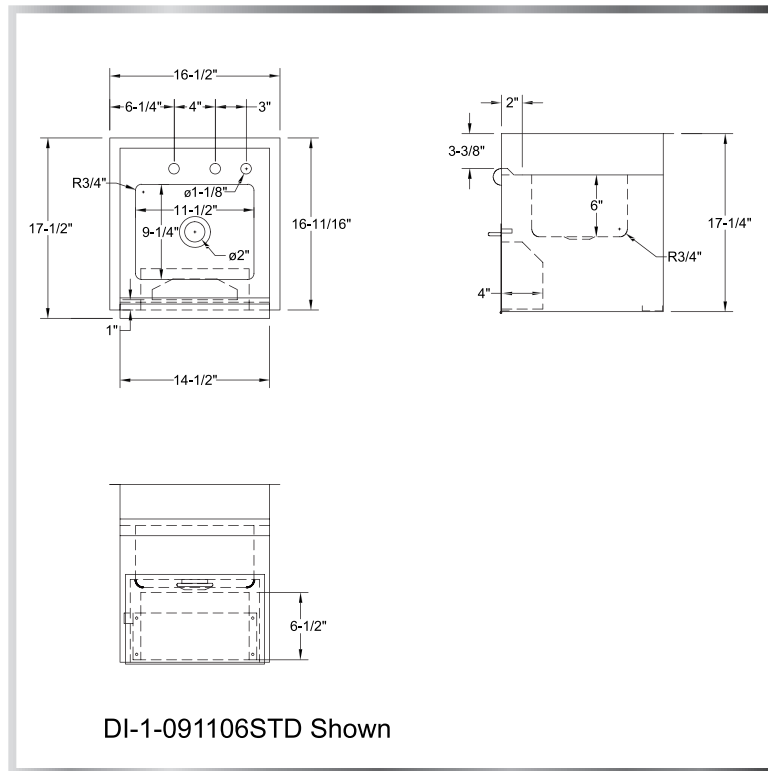
# 1-BOWL DROP-IN SINK

## SINK BOWLS - DROP-IN



### MATERIALS

- 18 Gauge 304 Stainless Steel; Fabricated



### FEATURES

- 4" On-Center Deck-Mounted Faucet Holes
- 2" Drain Opening With Drain Basket Included
- Side and Backsplashes
- Includes Towel Dispenser (\* Also Includes Soap Dispenser)

Include a New 4" OC Faucet With Your Order!  
(See Page 78)

MODEL NUMBER	BOWL SIZE L X W X H	LENGTH	WIDTH
DI-1-091106STD*	9-1/4" x 11-1/2" x 6"	16-1/2"	17-1/2"
DI-1-091106TD	9-1/4" x 11-1/2" x 6"	16-1/2"	17-1/2"

# 1-BOWL DROP-IN SINK

## SINK BOWLS - DROP-IN



DI-1-101405LR Pictured

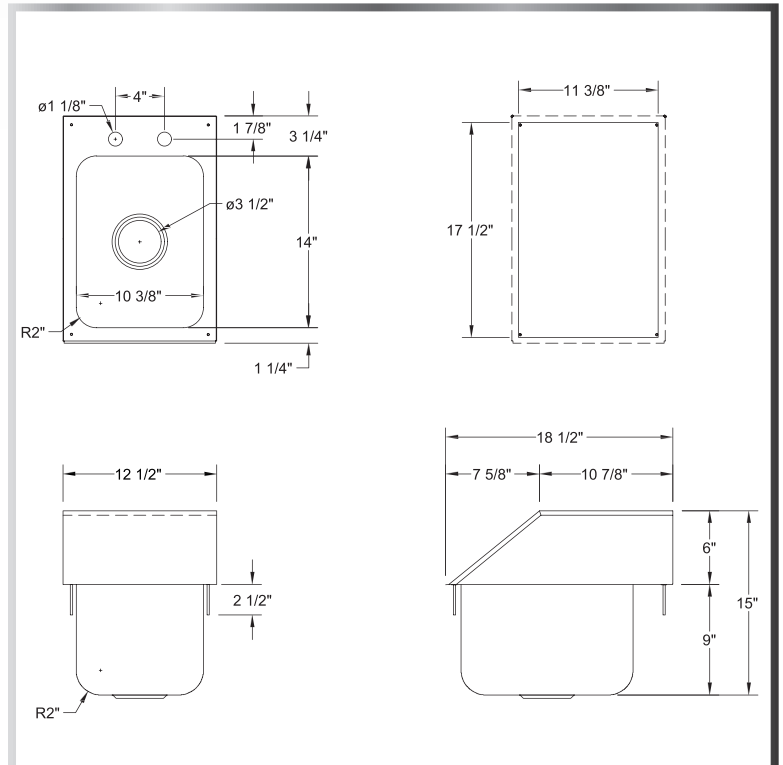
## MATERIALS

- Stainless Steel; Fabricated

## FEATURES

- 4" On-Center Deck-Mounted Faucet Holes
  - 3-1/2" Drain Opening With Drain Basket Included
  - Safety Hem Along Sink Edges
  - \* Has Side and Backsplashes

Include a New 4" OC Faucet With Your Order!  
(See Page 78)



MODEL NUMBER	BOWL SIZE L X W X H	LENGTH	WIDTH
DI-1-101405LR*	10" x 14" x 5"	12-5/8"	18-1/2"
DI-1-101410LR*	10" x 14" x 10"	12-1/2"	18-1/2"
DI-1-101410	10" x 14" x 10"	12-1/8"	18-1/2"
DI-1-201608	20" x 16" x 8"	23-5/8"	21-5/8"
DI-1-201612	20" x 16" x 12"	23-5/8"	21-5/8"
DI-1-282012	28" x 20" x 12"	31-5/8"	25-5/8"

(609) 642 - 8389 | SALES@NBREQUIPMENT.COM | WWW.NBREQUIPMENT.COM

NBR EQUIPMENT, 10 ABEEL ROAD, CRANBURY, NJ 08512

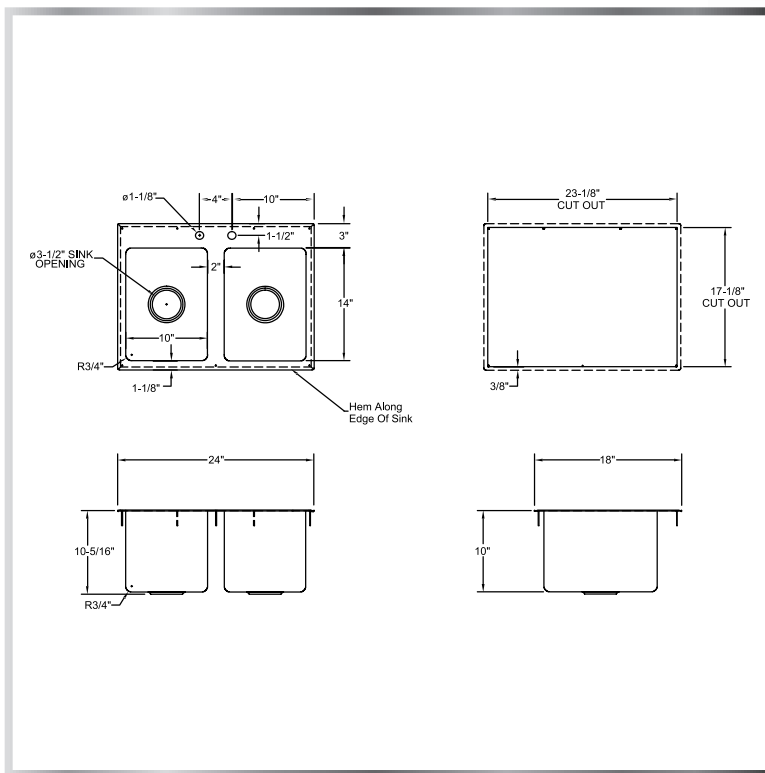
# 2-BOWL DROP-IN SINK

## SINK BOWLS - DROP-IN



### MATERIALS

- Stainless Steel; Fabricated



### FEATURES

- 4" On-Center Deck-Mounted Faucet Holes
- 3-1/2" Drain Opening With Drain Basket Included
- Safety Hem Along Sink Edges

Include a New 4" OC Faucet With Your Order!  
(See Page 78)

MODEL NUMBER	BOWL SIZE L X W X H	LENGTH	WIDTH
DI-2-101410	10" x 14" x 10"	24"	18"
DI-2-141612	14" x 16" x 12"	33"	22"
DI-2-201612	20" x 16" x 12"	45"	22"

# 3-BOWL DROP-IN SINK

## SINK BOWLS - DROP-IN

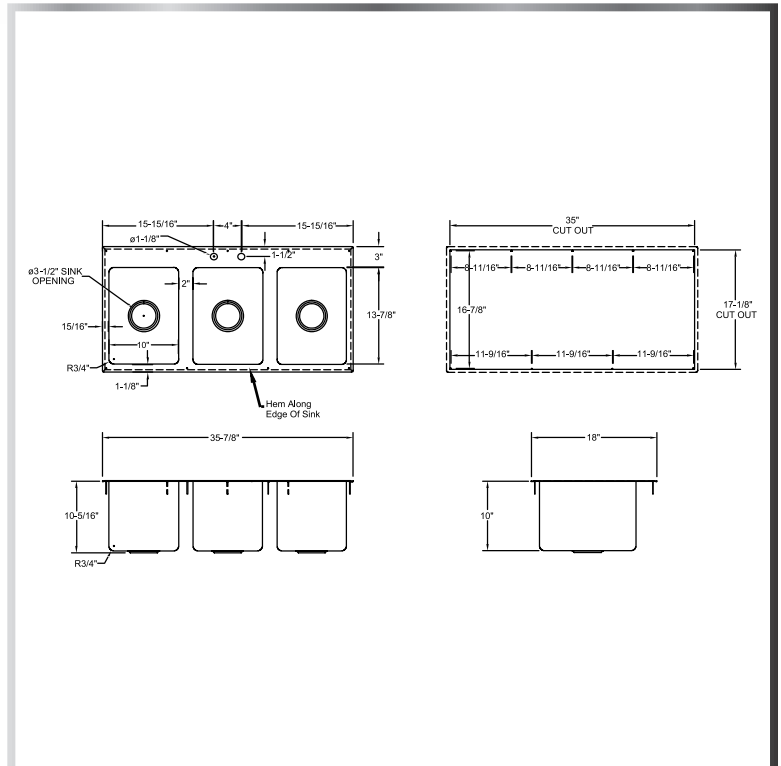


## MATERIALS

- Stainless Steel; Fabricated

## FEATURES

- 4" On-Center Deck-Mounted Faucet Holes
  - 3-1/2" Drain Opening With Drain Basket Included
  - Safety Hem Along Sink Edges



Include a New 4" OC Faucet With Your Order!  
(See Page 78)

MODEL NUMBER	BOWL SIZE L X W X H	LENGTH	WIDTH
DI-3-101410	10" x 14" x 10"	35-7/8"	18"
DI-3-162012	16" x 20" x 12"	54"	24"

(609) 642 - 8389 | SALES@NBREQUIPMENT.COM | WWW.NBREQUIPMENT.COM

NBR EQUIPMENT, 10 ABEEL ROAD, CRANBURY, NJ 08512

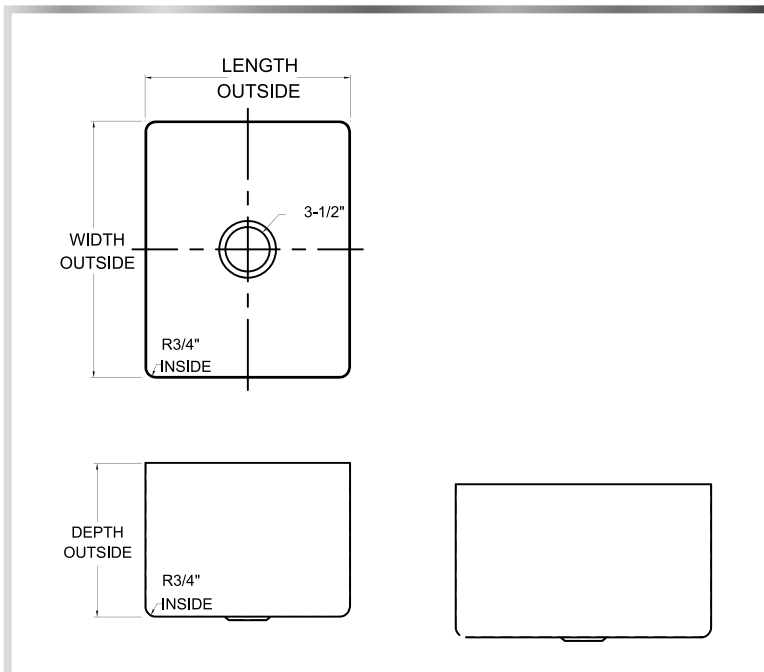
# PREMIUM SINK BOWL

SINK BOWLS - WELDED



## MATERIALS

- 14 Gauge 304 Stainless Steel; Fabricated



## FEATURES

- 3-1/2" Drain Opening

MODEL NUMBER	HAND SINK SIZE
SB-141008-14	14" x 10" x 8"
SB-161812-14	16" x 18" x 12"
SB-162014-14	16" x 20" x 14"
SB-182414-14	18" x 24" x 14"
SB-202008-14	20" x 20" x 8"
SB-202010-14	20" x 20" x 10"
SB-202012-14	20" x 20" x 12"
SB-202014-14	20" x 20" x 14"
SB-242414-14	24" x 24" x 14"

(609) 642 - 8389 | SALES@NBREQUIPMENT.COM | WWW.NBREQUIPMENT.COM

NBR EQUIPMENT, 10 ABEEL ROAD, CRANBURY, NJ 08512

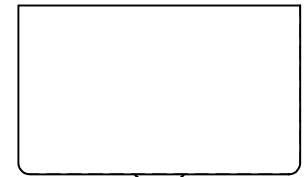
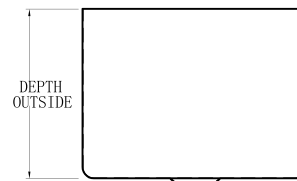
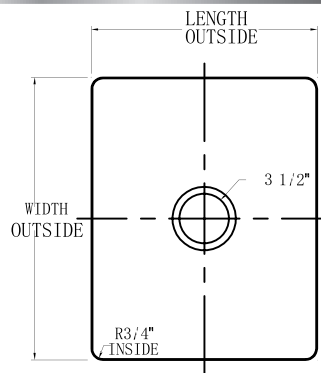
# ECONOMY SINK BOWL

## SINK BOWLS - WELDED



### MATERIALS

- 16 Gauge 304 Stainless Steel; Fabricated



### FEATURES

- 3-1/2" Drain Opening

MODEL NUMBER	HAND SINK SIZE
SB-111511-16	11" x 15" x 11"
SB-161610-16	16" x 16" x 10"
SB-161812-16	16" x 18" x 12"
SB-161814-16	16" x 18" x 14"
SB-162012-16	16" x 20" x 12"
SB-181812-16	18" x 18" x 12"
SB-182412-16	18" x 24" x 12"
SB-182414-16	18" x 24" x 14"
SB-202008-16	20" x 20" x 8"
SB-202012-16	20" x 20" x 12"
SB-202812-16	20" x 28" x 12"
SB-242412-16	24" x 24" x 12"
SB-242414-16	24" x 24" x 14"

(609) 642 - 8389 | SALES@NBREQUIPMENT.COM | WWW.NBREQUIPMENT.COM

NBR EQUIPMENT, 10 ABEEL ROAD, CRANBURY, NJ 08512

# BUDGET 1-BOWL SINK

## NON-NSF SINKS - 1 BOWL

### MATERIALS

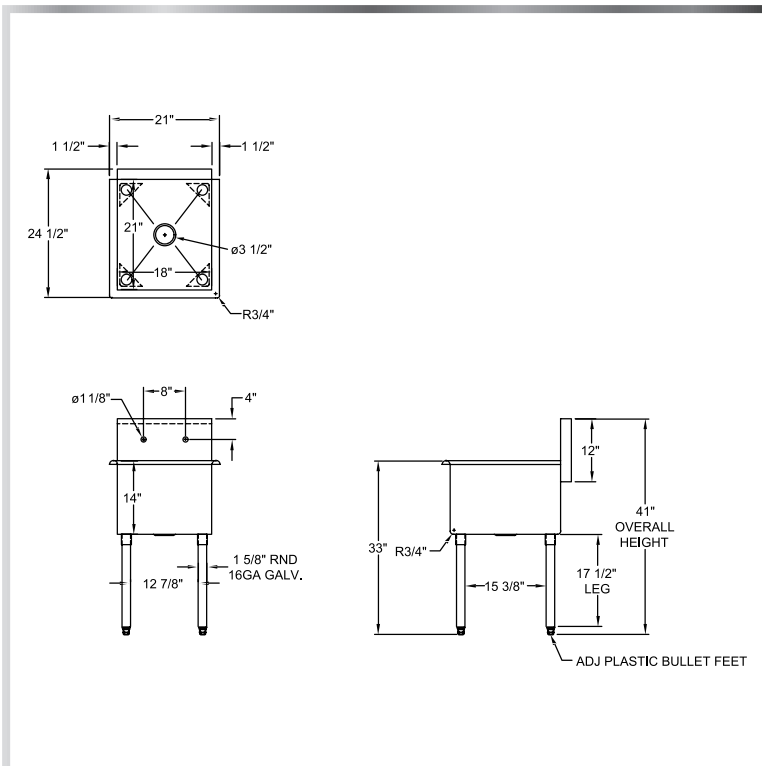
- 18 Gauge 430 Series Stainless Steel; Fabricated
  - Galvanized Legs
  - Plastic Bullet Feet



### FEATURES

- 8"H Backsplash with 2" Return to Wall
- 8" On-Center Wall-Mounted Faucet Holes
- 3-1/2" Die-Stamped Drain Opening With Drain Basket Included
- Adjustable Bullet Feet

Include a Faucet and Detachable Drainboard With Your Order!  
(See Page 75 & 77)



MODEL NUMBER	BOWL SIZE L X W X H	LENGTH	WIDTH
1BSG-1818	18" x 18" x 14"	21"	21-1/2"
1BSG-1821	18" x 21" x 14"	21"	24-1/2"
1BSG-2424	24" x 24" x 14"	27"	27-1/2"

**\*\*BUDGET SINKS ARE NOT NSF-CERTIFIED\*\***



# BUDGET 2-BOWL SINK

NON-NSF SINKS - 2 BOWLS

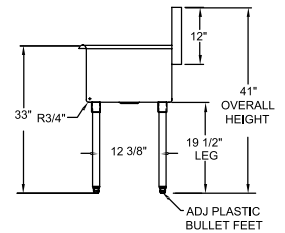
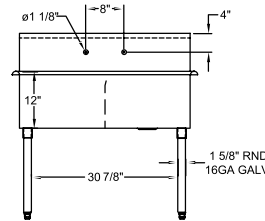
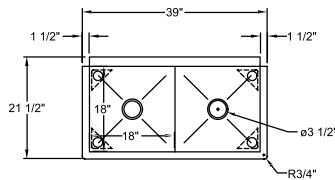


## MATERIALS

- 18 Gauge 430 Series Stainless Steel; Fabricated
- Galvanized Legs
- Plastic Bullet Feet

## FEATURES

- 8"H Backsplash with 2" Return to Wall
- 8" On-Center Wall-Mounted Faucet Holes
- 3-1/2" Die-Stamped Drain Opening With Drain Baskets Included
  - Adjustable Bullet Feet



Include a Faucet and Detachable Drainboard With Your Order!  
(See Page 75 & 77)

MODEL NUMBER	BOWL SIZE L X W X H	LENGTH	WIDTH
2BSG-1818	18" x 18" x 12"	39"	21-1/2"
2BSG-1821	18" x 21" x 12"	39"	24-1/2"
2BSG-2424	24" x 24" x 12"	51"	27-1/2"

**\*\*BUDGET SINKS ARE NOT NSF-CERTIFIED\*\***

(609) 642 - 8389 | SALES@NBREQUIPMENT.COM | WWW.NBREQUIPMENT.COM

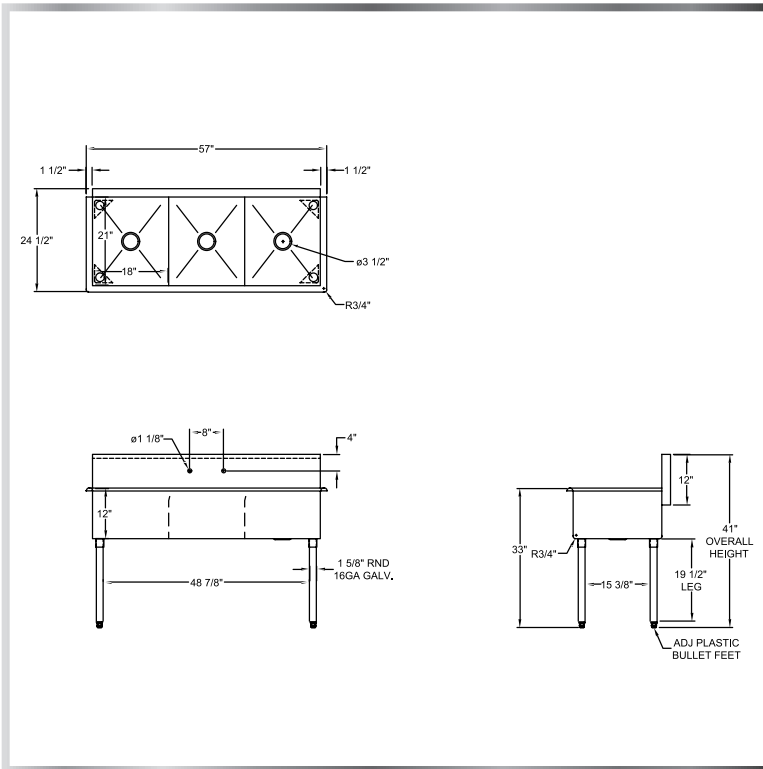
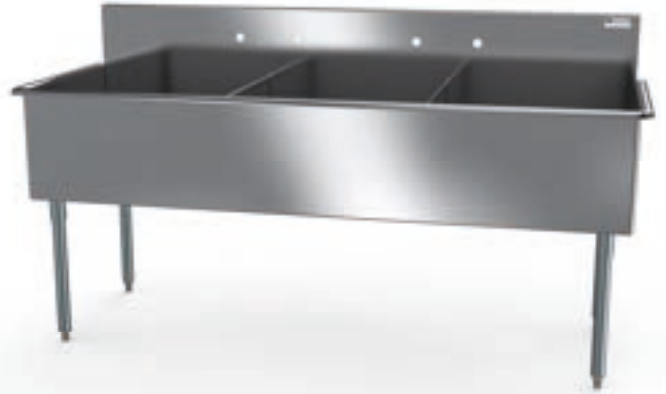
NBR EQUIPMENT, 10 ABEEL ROAD, CRANBURY, NJ 08512

# BUDGET 3-BOWL SINK

NON-NSF SINKS - 2 BOWLS

## MATERIALS

- 18 Gauge 430 Series Stainless Steel; Fabricated
  - Galvanized Legs
  - Plastic Bullet Feet



## FEATURES

- 8"H Backsplash with 2" Return to Wall
- Two Sets of 8" On-Center Wall-Mounted Faucet Holes
- 3-1/2" Die-Stamped Drain Opening With Drain Baskets Included
- Adjustable Bullet Feet

Include a Faucet and Detachable Drainboard With Your Order!  
(See Page 75 & 77)

MODEL NUMBER	BOWL SIZE L X W X H	LENGTH	WIDTH
3BSG-1221	12" x 21" x 12"	39"	24-1/2"
3BSG-1818	18" x 18" x 12"	57"	21-1/2"
3BSG-1821	18" x 21" x 12"	57"	24-1/2"
3BSG-2424*	24" x 24" x 12"	75"	27-1/2"

**\*\*BUDGET SINKS ARE NOT NSF-CERTIFIED\*\***

(609) 642 - 8389 | SALES@NBREQUIPMENT.COM | WWW.NBREQUIPMENT.COM  
NBR EQUIPMENT, 10 ABEEL ROAD, CRANBURY, NJ 08512

# BUDGET SINK DETACHABLE DRAINBOARD

NON-NSF SINKS - ACCESSORIES

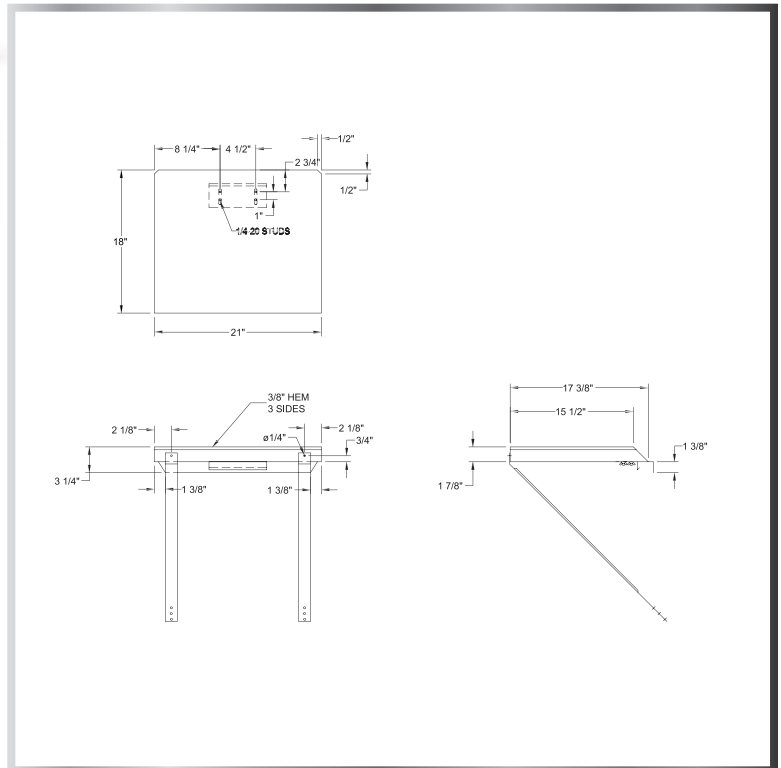


## MATERIALS

- 18 Gauge 430 Series Stainless Steel; Fabricated

## FEATURES

- Mounts Onto Side of Any NBR Budget Sink
- Screws Included to Mount Drainboard on Sink Legs
- Easy to Attach and Detach



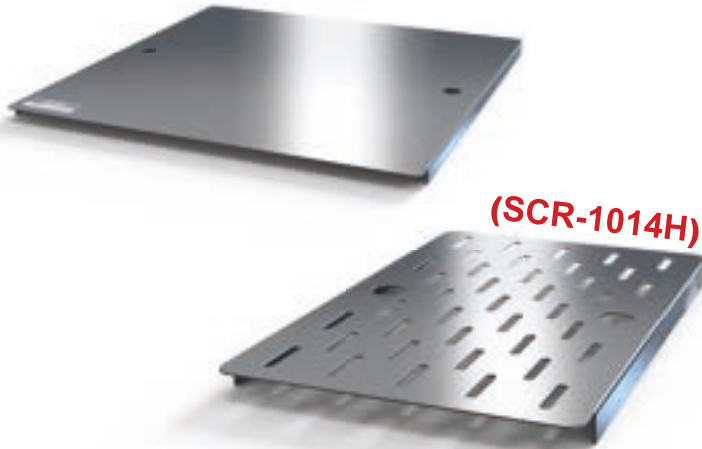
MODEL NUMBER	LENGTH	WIDTH
BDD-1818	18"	18"
BDD-1821	18"	21"
BDD-2424	24"	24"



(609) 642 - 8389 | SALES@NBREQUIPMENT.COM | WWW.NBREQUIPMENT.COM  
 NBR EQUIPMENT, 10 ABEEL ROAD, CRANBURY, NJ 08512

# SINK COVERS

SINK ACCESSORIES - COVERS AND SPLASHES



## MATERIALS

- 16 Gauge 304 Stainless Steel
- Perforated Cover (H) is 18 Gauge 304 Series Stainless Steel

## FEATURES

- Perforated SCR-1014H\* perfect for underbar sinks

MODEL NUMBER	FOR SINK BOWL SIZE
SCR-1620	16" X 20"
SCR-1818	18" X 18"
SCR-1824	18" X 24"
SCR-2030	20" X 30"
SCR-2424	24" X 24"
SCR-1014H*	10" X 14"



**Removeable Sink Splash**

## MATERIALS

- 16 Gauge 304 Stainless Steel

## FEATURES

- Removable Sink Side-Splash
- 12-1/4" Tall Splash
- 1-5/8" Thick

MODEL NUMBER	TOTAL LENGTH (A)	CLIP LENGTH (B)
RSS-18	24"	18"
RSS-20	26"	20"
RSS-24	28"	24"
RSS-30	36"	30"

(609) 642 - 8389 | SALES@NBREQUIPMENT.COM | WWW.NBREQUIPMENT.COM

NBR EQUIPMENT, 10 ABEEL ROAD, CRANBURY, NJ 08512

# NBR FAUCETS

## SINK ACCESSORIES - FAUCETS



**8" Center Wall-Mount Faucet**  
2.2 GPM Aerator, 1/2" NPT Female Inlets, and Lead-Free Compliant

MODEL #	SIZE OF SPOUT
P3W8S6	6"
P3W8S8	8"
P3W8S10	10"
P3W8S12	12"
P3W8S14	14"
P3W8S16	16"



**Service Sink Faucet**  
**(NOT NSF)**

Heavy Duty, 1/2" NPS Female Inlets, Threaded Spout, and Nickel-Plated Cast Brass Body

MODEL #
P2SV



**8" Center Wall-Mount Faucet Set With Swing Spout Add-On**

1/2" NPT Female Inlets, 18" Riser, 44" Flexible Stainless Steel Hose, Wall Bracket, Spray Valve Holder & Overhead Spring, and Lead-Free Compliant

MODEL #	SIZE OF SPOUT
P3W8S6-PU	6"
P3W8S8-PU	8"
P3W8S10-PU	10"
P3W8S12-PU	12"
P3W8S14-PU	14"
P3W8S16-PU	16"



**8" Center Wall-Mount Faucet Set**

1/2" NPT Female Inlets, 18" Riser, 44" Flexible Stainless Steel Hose, Swing Spout Faucet Add-On Wall Bracket, Spray Valve Holder & Overhead Spring, and Lead-Free Compliant

MODEL #
P3W8-PU

# NBR FAUCETS

SINK ACCESSORIES - FAUCETS



## 4" Center Wall-Mount Faucet

Brass Body, Lead Free, and 1/4 Turn Ceramic Cartridges.

MODEL #	SIZE OF SPOUT
P3W4S6	6"
P3W4S8	8"
P3W4S10	10"
P3W4S12	12"
P3W4S14	14"
P3W4S16	16"
P3W4S3G	3-1/2" GN
P3W4S5G	6" GN
P3W4S8G	8-1/2" GN



## 4" Center Wall-Mount Shallow Faucet

Brass Body, Lead Free, and 1/4 Turn Ceramic Cartridges

MODEL #	SIZE OF SPOUT
P3W4S6-SL	6"
P3W4S8-SL	8"
P3W4S10-SL	10"
P3W4S12-SL	12"
P3W4S14-SL	14"
P3W4S16-SL	16"
P3W4S3G-SL	3-1/2" GN
P3W4S5G-SL	6" GN
P3W4S8G-SL	8-1/2" GN



## 4" Center Deck-Mount Faucet

Brass Body, Lead Free, and 1/4 Turn Ceramic Cartridges

MODEL #	SIZE OF SPOUT
P3D4S6	6"
P3D4S8	8"
P3D4S10	10"
P3D4S12	12"
P3D4S14	14"
P3D4S16	16"
P3D4S3G	3-1/2" GN
P3D4S5G	6" GN
P3D4S8G	8-1/2" GN

# FAUCETS AND ACCESSORIES

## SINK ACCESSORIES - FAUCETS



### 8" Center Deck-Mount Faucet

Brass Body, Lead-Free Compliant, and 1/4 Turn Ceramic Cartridges

MODEL #	SIZE OF SPOUT
P3D8S6	6"
P3D8S8	8"
P3D8S10	10"
P3D8S12	12"
P3D8S14	14"
P3D8S16	16"
P3W8S3G	3-1/2" GN
P3W8S5G	6" GN
P3W8S8G	8-1/2" GN



MODEL NUMBER	P7WH	P4A	P6V1	P6H44
DESCRIPTION	Chrome-Plated Wrist Handles	Add-On Faucet Without Spout	Water Saving Spray Valve 1.0 GPM	44" Pre-Rinse Hose



MODEL NUMBER	P7DK	P7WK90
DESCRIPTION	Deck Mounting Kit	Wall Mounting Kit



# HANDS-FREE AND SINGLE-HOLE FAUCETS

## SINK ACCESSORIES - FAUCETS



<b>MODEL NUMBER</b>	P5K1-DS3G	P5K1-WS3G	P5K2-DS3G	P5K2-WS3G	P2D1S10-PU/ P2D1S12-PU
<b>SPOUT SIZE</b>	3-1/2" GN	3-1/2" GN	3-1/2" GN	3-1/2" GN	10" / 12"
<b>DESCRIPTION</b>	Deck-Mount Gooseneck Faucet With Single Pedal Knee Valve (Hands-Free)	Wall-Mount Gooseneck Faucet With Single Pedal Knee Valve (Hands-Free)	Deck-Mount Gooseneck Faucet With Double Pedal Knee Valves (Hands-Free)	Wall-Mount Gooseneck Faucet With Double Pedal Knee Valves (Hands-Free)	Single-Hole Deck-Mount Pre-Rinse Faucet With Swing Spout



<b>MODEL NUMBER</b>	P5F1-DS3G	P5F1-WS3G	P5F2-DS3G	P5F2-WS3G	P2D1-PU
<b>SPOUT SIZE</b>	3-1/2" GN	3-1/2" GN	3-1/2" GN	3-1/2" GN	N/A
<b>DESCRIPTION</b>	Deck-Mount Gooseneck Faucet With Single Pedal Foot Valve (Single Hole)	Wall-Mount Gooseneck Faucet With Single Pedal Foot Valve (Single Hole)	Deck-Mount Gooseneck Faucet With Double Pedal Foot Valves (Single Hole)	Wall-Mount Gooseneck Faucet With Double Pedal Foot Valves (Single Hole)	Single-Hole Deck-Mount Pre-Rinse Faucet

# **PLUMBING ACCESSORIES**

## **SINK ACCESSORIES - DRAINS**



<b>MODEL NUMBER</b>	STN-2	STN-3	STN-11B	STN-11C	STN-12B
<b>HOLE SIZE</b>	1-7/8"	3-1/2"	1-3/8" Hole 1-1/2"H	1-3/8" Hole 1-1/2"H	1-3/8" Hole 3-1/3"H
<b>DESCRIPTION</b>	Drain Basket with Crumb Cup	Drain with Crumb Cup	Drain	Chrome Plated Drain	Drain
<b>MATERIAL</b>	T430 Steel	T430 Steel	Brass	Brass	Brass



<b>MODEL NUMBER</b>	STN-12C	STN-4B	SP-75	SP-10	PT-1
<b>HOLE SIZE</b>	1-3/8" Hole 3-1/4"H	3-1/2"	Meet STN-2 7-1/2"H	Meet STN-2 10"H	1-1/2"
<b>DESCRIPTION</b>	Chrome Plated Drain	Mop Sink Drain	Overflow Tube	Overflow Tube	P-Trap with Tail Piece
<b>MATERIAL</b>	Brass	Brass	Brass	Brass	Brass

# **PLUMBING ACCESSORIES**

## **SINK ACCESSORIES - DRAIN BRACKET AND WASTE DRAINS**



<b>TWIST HANDLE WASTE DRAIN WITH OVERFLOW CAP</b>	<b>LEVER HANDLE WASTE DRAIN WITH OVERFLOW CAP</b>	<b>TWIST HANDLE WASTE DRAIN WITH OVERFLOW HEAD &amp; TUBE</b>	<b>LEVER HANDLE WASTE DRAIN WITH OVERFLOW HEAD &amp; TUBE</b>
<b>P5TD2</b>	<b>P5LD2</b>	<b>P5TDF</b>	<b>P5LDF</b>
2" Male & 1-1/2" Female Threading	2" Male & 1-1/2" Female Threading	2" Male & 1-1/2" Female Threading	2" Male & 1-1/2" Female Threading
Brass Body	Brass Body	Brass Body	Brass Body



<b>TWIST HANDLE WASTE DRAIN</b>	<b>LEVER HANDLE WASTE DRAIN</b>	<b>TWIST HANDLE WASTE DRAIN BRACKET</b>
<b>P5TD1</b>	<b>P5LD1</b>	<b>P7TDB</b>
<i>Fits 3-1/2" Drain Opening</i>	<i>Fits 3-1/2" Drain Opening</i>	<i>Height Adjustable</i>
<i>2" Male and 1-1/2" Female NPT Drain Outlet</i>	<i>2" Male and 1-1/2" Female NPT Drain Outlet</i>	
<i>Nickel Plated Cast Brass Drain Body</i>	<i>Nickel Plated Cast Brass Drain Body</i>	
<i>With SS Flat Strainer and SS Twist Handle</i>	<i>With SS Flat Strainer and SS Straight Lever Handle</i>	

# SOON TO BE AVAILABLE ON ALL NBR SINKS!!!

## **P7TDB IS COMPATIBLE WITH NBR SINKS**

- Install a Twist or Lever Handle Waste Drain On Your Sink Using The Twist Handle Drain Bracket



**STUDS AND DRAIN BRACKET  
(P7TDB)**



**SINK WITH STUDS**

# PREMIUM FLAT TOP WORKTABLE

## WORKTABLES - FLAT TOP

**18GA**



### MATERIALS

- 18 Gauge 430 Series Stainless Steel Top
- Stainless Steel Lower Shelf, Legs, and Bullet Feet

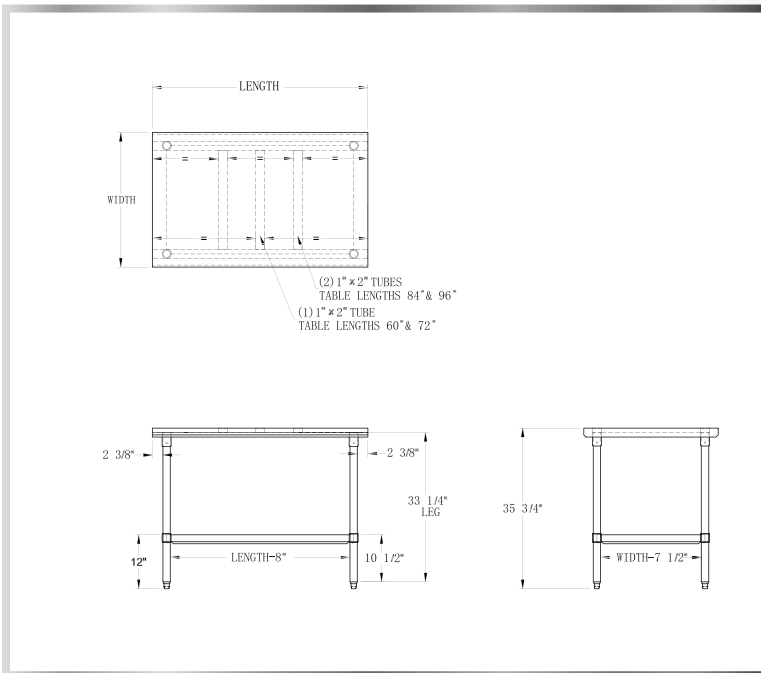


**\*To Add Casters  
(LC-S4 or LC-S6\*)...See  
Page 126\***

### FEATURES

- Straight Turndown Edges
- Adjustable Bullet Feet and Lower Shelf (\* Has 6 Legs)

Include a Table Drawer  
and Table Mounted Over Shelf With Your  
Order!  
(See Pages 124 & 130-131)



MODEL NUMBER	LENGTH	WIDTH
TS-2418	24"	18"
TS-2424	24"	24"
TS-3018	30"	18"
TS-3024	30"	24"
TS-3030	30"	30"
TS-3618	36"	18"
TS-3624	36"	24"
TS-3630	36"	30"
TS-4818	48"	18"
TS-4824	48"	24"
TS-4830	48"	30"
TS-6018	60"	18"

MODEL NUMBER	LENGTH	WIDTH
TS-6024	60"	24"
TS-6030	60"	30"
TS-7218	72"	18"
TS-7224	72"	24"
TS-7230	72"	30"
TS-8418*	84"	18"
TS-8424*	84"	24"
TS-8430*	84"	30"
TS-9618*	96"	18"
TS-9624*	96"	24"
TS-9630*	96"	30"

(609) 642 - 8389 | SALES@NBREQUIPMENT.COM | WWW.NBREQUIPMENT.COM

NBR EQUIPMENT, 10 ABEEL ROAD, CRANBURY, NJ 08512

# PREMIUM FLAT TOP WORKTABLE

## WORKTABLES - FLAT TOP

**16GA**



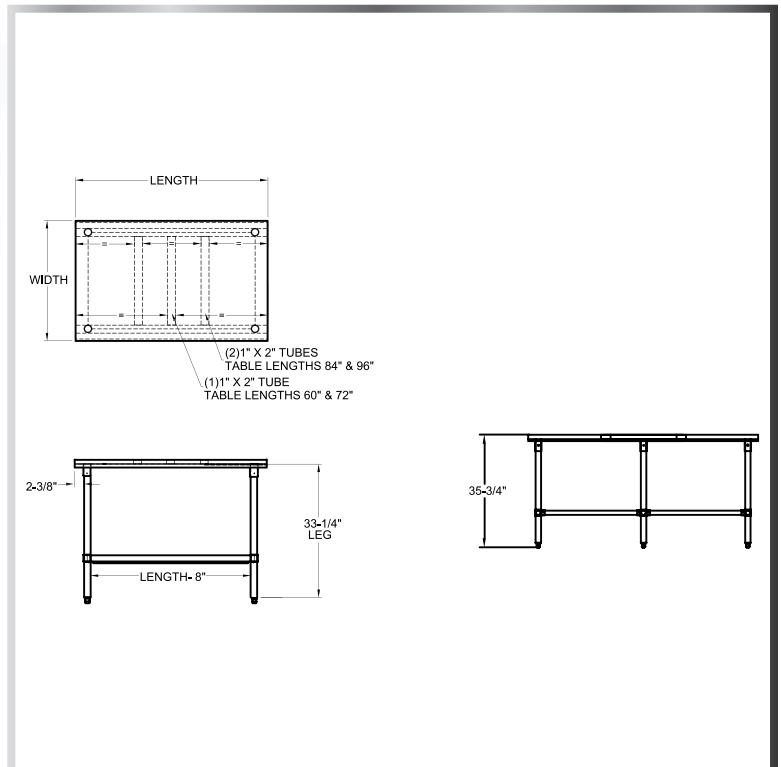
**\*To Add Casters  
(LC-S4 or LC-S6\*)...See  
Page 126\***

## MATERIALS

- 16 Gauge 304 Stainless Steel
- Stainless Steel Lower Shelf, Legs, and Bullet Feet

## FEATURES

- Bullnose Front and Rear Edges
  - Adjustable Lower Shelf
  - Adjustable Bullet Feet (\* Has 6 Legs/Feet)



Include a Table Drawer and Table Mounted Over Shelf With Your Order!  
(See Pages 124 & 130-131)

MODEL NUMBER	LENGTH	WIDTH
TS6-2424	24"	24"
TS6-3024	30"	24"
TS6-3030	30"	30"
TS6-3624	36"	24"
TS6-3630	36"	30"
TS6-4824	48"	24"
TS6-4830	48"	30"

MODEL NUMBER	LENGTH	WIDTH
TS6-6024	60"	24"
TS6-6030	60"	30"
TS6-7224	72"	24"
TS6-7230	72"	30"
TS6-8424*	84"	24"
TS6-8430*	84"	30"
TS6-9624*	96"	24"
TS6-9630*	96"	30"

(609) 642 - 8389 | SALES@NBREQUIPMENT.COM | WWW.NBREQUIPMENT.COM

NBR EQUIPMENT, 10 ABEEL ROAD, CRANBURY, NJ 08512

# PREMIUM FLAT TOP WORKTABLE

## WORKTABLES - FLAT TOP



**14GA**

### MATERIALS

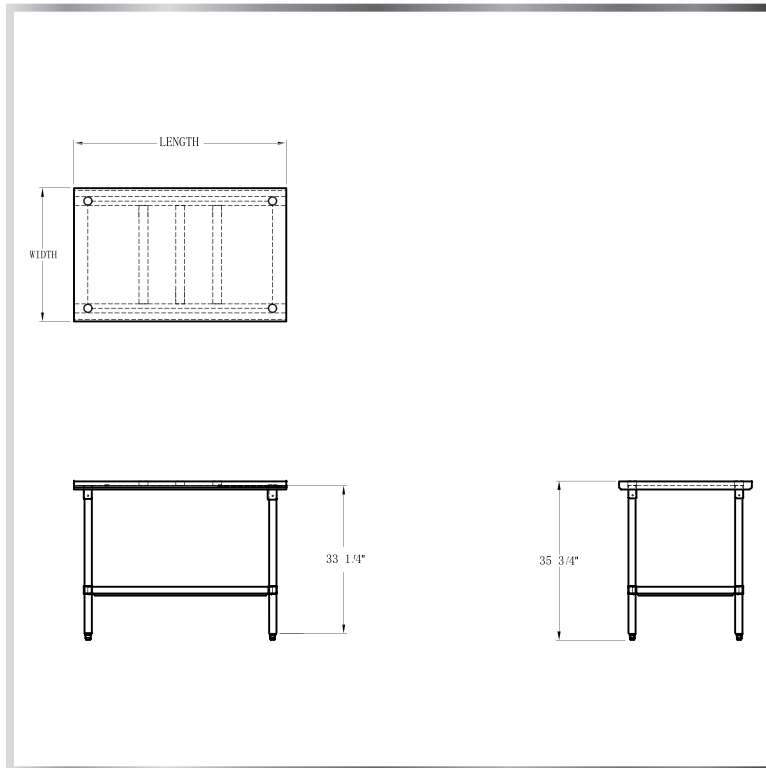
- 14 Gauge 304 Stainless Steel Top
- 18 Gauge 304 Stainless Steel Lower Shelf With Aluminum Corners
- Stainless Steel Legs and Bullet Feet



**\*To Add Casters  
(LC-S4)...See Page 126\***

### FEATURES

- 3 Channels
- Straight Turndown Edges
- Adjustable Lower Shelf and Bullet Feet
- Available As Cross-Braced Worktable (X)



Include a Table Drawer  
and Table Mounted Over Shelf With Your  
Order!  
(See Pages 124 & 130-131)

MODEL NUMBER	LENGTH	WIDTH
TS4-4836	48"	36"
TS4-6036	60"	36"
TS4-7236	72"	36"
TS4-4836-X	48"	36"
TS4-6036-X	60"	36"
TS4-7236-X	72"	36"

(609) 642 - 8389 | SALES@NBREQUIPMENT.COM | WWW.NBREQUIPMENT.COM

NBR EQUIPMENT, 10 ABEEL ROAD, CRANBURY, NJ 08512



# ECONOMY FLAT TOP WORKTABLE

## WORKTABLES - FLAT TOP



## MATERIALS

- 18 Gauge 430 Series Stainless Steel Top
- Galvanized Lower Shelf and Legs
- Plastic Bullet Feet

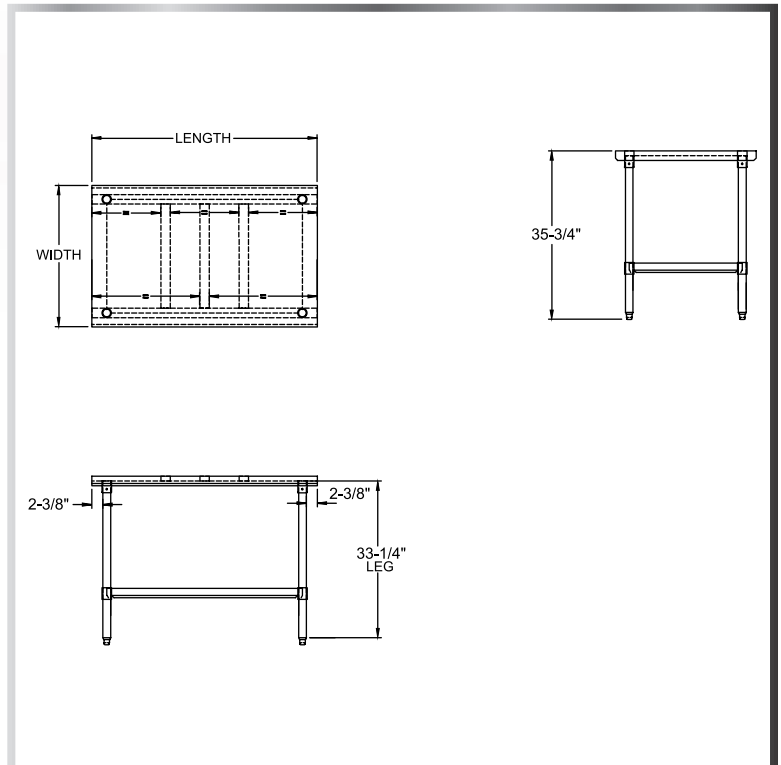


**\*To Add Casters  
(LC-G4 or LC-G6\*)...See  
Page 126\***

## FEATURES

- Straight Turndown Edges
- Adjustable Lower Shelf and Bullet Feet (\* Has 6 Legs)

Include a Table Drawer  
and Table Mounted Over Shelf With Your  
Order!  
(See Pages 124 & 130-131)



MODEL NUMBER	LENGTH	WIDTH
TG-2424	24"	24"
TG-3024	30"	24"
TG-3030	30"	30"
TG-3618	36"	18"
TG-3624	36"	24"
TG-3630	36"	30"
TG-4818	48"	18"
TG-4824	48"	24"
TG-4830	48"	30"
TG-6018	60"	18"

MODEL NUMBER	LENGTH	WIDTH
TG-6024	60"	24"
TG-6030	60"	30"
TG-7218	72"	18"
TG-7224	72"	24"
TG-7230	72"	30"
TG-8424*	84"	24"
TG-8430*	84"	30"
TG-9618*	96"	18"
TG-9624*	96"	24"
TG-9630*	96"	30"

(609) 642 - 8389 | SALES@NBREQUIPMENT.COM | WWW.NBREQUIPMENT.COM

NBR EQUIPMENT, 10 ABEEL ROAD, CRANBURY, NJ 08512

# PREMIUM WORKTABLE WITH 1-1/2" BACKSPLASH



WORKTABLES - 1-1/2" SPLASH

18GA

## MATERIALS

- 18 Gauge 430 Series Stainless Steel Top
- Stainless Steel Lower Shelf, Legs, and Bullet Feet



**\*To Add Casters (LC-S4 or LC-S6\*)...See**

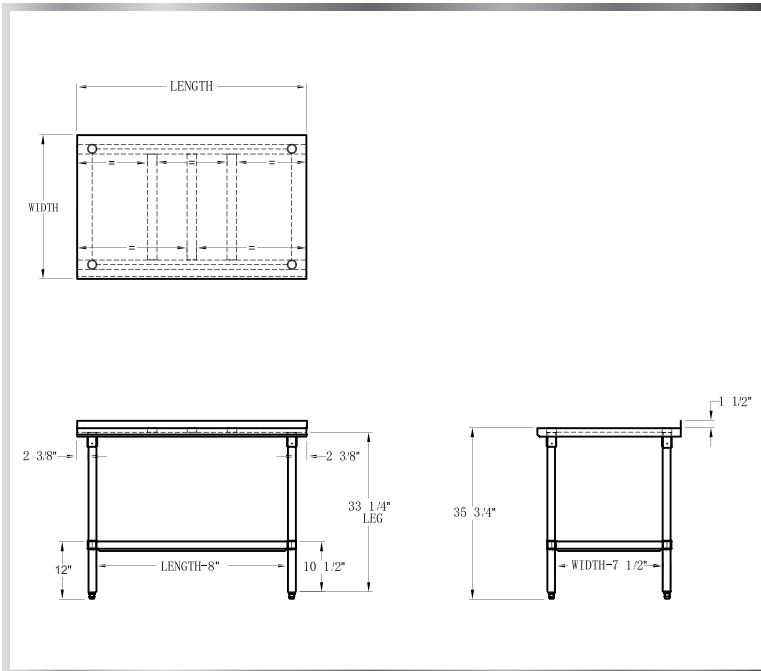
**Page 126\***

## FEATURES

- Straight Turndown Edges
- Adjustable Lower Shelf and Bullet Feet (\* Has 6 Casters)

Include a Table Drawer and Table Mounted Over Shelf With Your Order!

(See Pages 124 & 130-131)



MODEL NUMBER	LENGTH	WIDTH
TS-2418R	24"	18"
TS-2424R	24"	24"
TS-3018R	30"	18"
TS-3024R	30"	24"
TS-3030R	30"	30"
TS-3618R	36"	18"
TS-3624R	36"	24"
TS-3630R	36"	30"
TS-4818R	48"	18"
TS-4824R	48"	24"
TS-4830R	48"	30"
TS-6018R	60"	18"

MODEL NUMBER	LENGTH	WIDTH
TS-6024R	60"	24"
TS-6030R	60"	30"
TS-7218R	72"	18"
TS-7224R	72"	24"
TS-7230R	72"	30"
TS-8418R*	84"	18"
TS-8424R*	84"	24"
TS-8430R*	84"	30"
TS-9618R*	96"	18"
TS-9624R*	96"	24"
TS-9630R*	96"	30"

(609) 642 - 8389 | SALES@NBREQUIPMENT.COM | WWW.NBREQUIPMENT.COM

NBR EQUIPMENT, 10 ABEEL ROAD, CRANBURY, NJ 08512

# PREMIUM WORKTABLE WITH 1-1/2" BACKSPLASH

WORKTABLES - 1-1/2" SPLASH

**14GA**



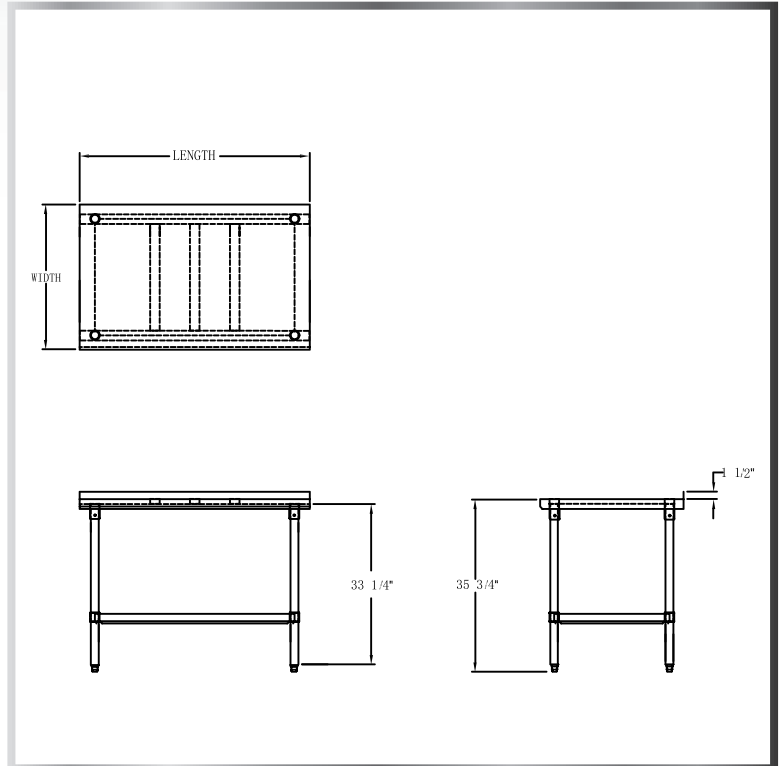
**\*To Add Casters  
(LC-S4)...See Page 126\***

## MATERIALS

- 14 Gauge 304 Stainless Steel Top
- 18 Gauge 304 Stainless Steel Lower Shelf With Aluminum Corners
- Stainless Steel Legs and Bullet Feet

## FEATURES

- Straight Turndown Edges
- Adjustable Lower Shelf and Bullet Feet
- Available As Cross-Braced Worktable (X)



Include a Table Drawer  
and Table Mounted Over Shelf With Your  
Order!  
(See Pages 124 & 130-131)

MODEL NUMBER	LENGTH	WIDTH
TS4-4836R	48"	36"
TS4-6036R	60"	36"
TS4-7236R	72"	36"
TS4-4836R-X	48"	36"
TS4-6036R-X	60"	36"
TS4-7236R-X	72"	36"

(609) 642 - 8389 | SALES@NBREQUIPMENT.COM | WWW.NBREQUIPMENT.COM

NBR EQUIPMENT, 10 ABEEL ROAD, CRANBURY, NJ 08512

# ECONOMY WORKTABLE WITH 1-1/2" BACKSPLASH



## WORKTABLES - 1-1/2" SPLASH

### MATERIALS

- 18 Gauge 430 Series Stainless Steel Top
  - Galvanized Lower Shelf and Legs
  - Plastic Bullet Feet

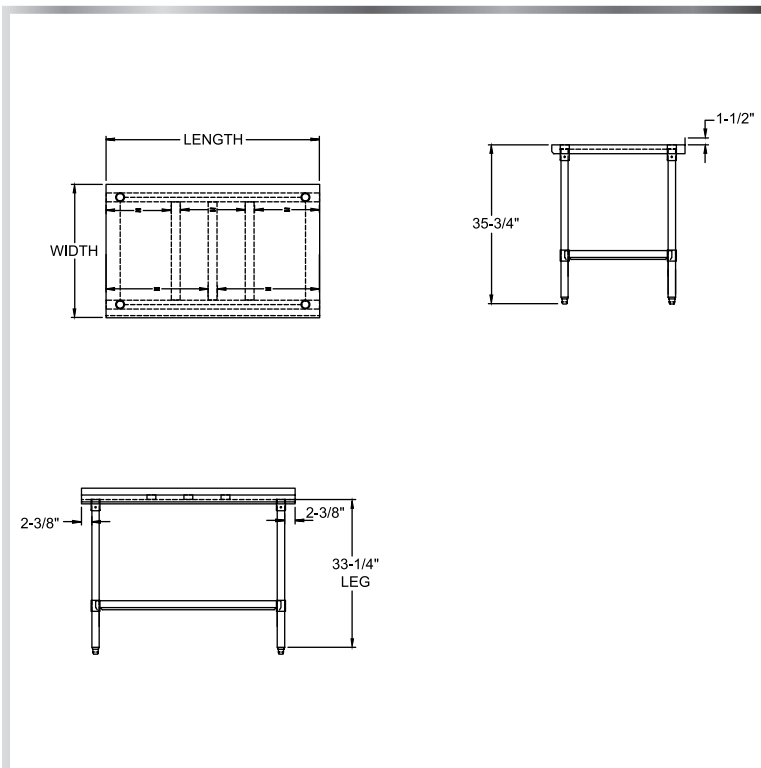


**\*To Add Casters  
(LC-G4 or LC-G6\*)...See  
Page 126\***

### FEATURES

- Straight Turndown Edges
- Adjustable Lower Shelf and Bullet Feet (\* Has 6 Legs)

Include a Table Drawer  
and Table Mounted Over Shelf With Your  
Order!  
(See Pages 124 & 130-131)



MODEL NUMBER	LENGTH	WIDTH
TG-2424R	24"	24"
TG-3024R	30"	24"
TG-3030R	30"	30"
TG-3618R	36"	18"
TG-3624R	36"	24"
TG-3630R	36"	30"
TG-4818R	48"	18"
TG-4824R	48"	24"
TG-4830R	48"	30"
TG-6018R	60"	18"

MODEL NUMBER	LENGTH	WIDTH
TG-6024R	60"	24"
TG-6030R	60"	30"
TG-7218R	72"	18"
TG-7224R	72"	24"
TG-7230R	72"	30"
TG-8424R*	84"	24"
TG-8430R*	84"	30"
TG-9618R*	96"	18"
TG-9624R*	96"	24"
TG-9630R*	96"	30"

(609) 642 - 8389 | SALES@NBREQUIPMENT.COM | WWW.NBREQUIPMENT.COM

NBR EQUIPMENT, 10 ABEEL ROAD, CRANBURY, NJ 08512

# PREMIUM WORKTABLE WITH 5" BACKSPLASH

**18GA**

**WORKTABLES - 5" SPLASH**



**\*To Add Casters  
(LC-S4 or LC-S6\*)...See  
Page 126\***

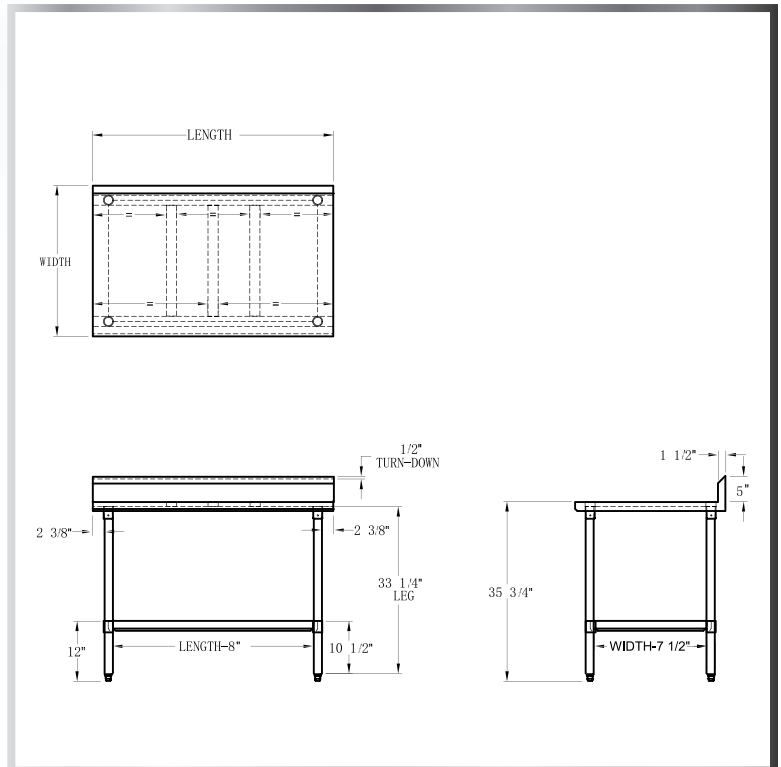
## MATERIALS

- 18 Gauge 430 Series Stainless Steel Top
- Stainless Steel Lower Shelf, Legs, and Bullet Feet

## FEATURES

- Straight Turndown Edges
- Adjustable Lower Shelf and Bullet Feet (\* Has 6 Legs)

Include a Table Drawer  
and Table Mounted Over Shelf With Your  
Order!  
(See Pages 124 & 130-131)



MODEL NUMBER	LENGTH	WIDTH
TS-2424R5	24"	24"
TS-3024R5	30"	24"
TS-3624R5	36"	24"
TS-4824R5	48"	24"
TS-6024R5	60"	24"
TS-7224R5	72"	24"
TS-8424R5*	84"	24"
TS-9624R5*	96"	24"

MODEL NUMBER	LENGTH	WIDTH
TS-3030R5	30"	30"
TS-3630R5	36"	30"
TS-4830R5	48"	30"
TS-6030R5	60"	30"
TS-7230R5	72"	30"
TS-8430R5*	84"	30"
TS-9630R5*	96"	30"

(609) 642 - 8389 | SALES@NBREQUIPMENT.COM | WWW.NBREQUIPMENT.COM

NBR EQUIPMENT, 10 ABEEL ROAD, CRANBURY, NJ 08512

# PREMIUM WORKTABLE WITH 5" BACKSPLASH



WORKTABLES - 5" SPLASH

16GA

## MATERIALS

- 16 Gauge 304 Stainless Steel
- Stainless Steel Lower Shelf, Legs, and Bullet Feet



**\*To Add Casters**

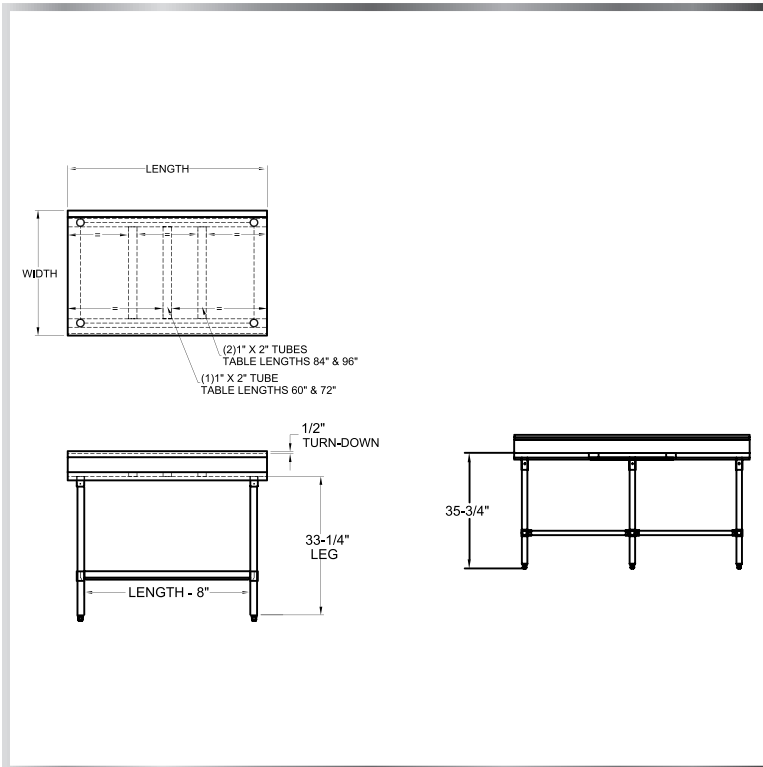
**(LC-S4 or LC-S6\*)...See**

**Page 126\***

## FEATURES

- Bullnose Front and Rear Edges
- Adjustable Lower Shelf
- Adjustable Bullet Feet (\* Has 6 Legs/Feet)

Include a Table Drawer  
and Table Mounted Over Shelf With Your  
Order!  
(See Pages 124 & 130-131)



MODEL NUMBER	LENGTH	WIDTH
TS6-2424R5	24"	24"
TS6-3024R5	30"	24"
TS6-3624R5	36"	24"
TS6-4824R5	48"	24"
TS6-6024R5	60"	24"
TS6-7224R5	72"	24"
TS6-8424R5*	84"	24"
TS6-9624R5*	96"	24"

MODEL NUMBER	LENGTH	WIDTH
TS6-3030R5	30"	30"
TS6-3630R5	36"	30"
TS6-4830R5	48"	30"
TS6-6030R5	60"	30"
TS6-7230R5	72"	30"
TS6-8430R5*	84"	30"
TS6-9630R5*	96"	30"

(609) 642 - 8389 | SALES@NBREQUIPMENT.COM | WWW.NBREQUIPMENT.COM

NBR EQUIPMENT, 10 ABEEL ROAD, CRANBURY, NJ 08512

# PREMIUM WORKTABLE WITH 5" BACKSPLASH

WORKTABLES - 5" SPLASH

**14GA**



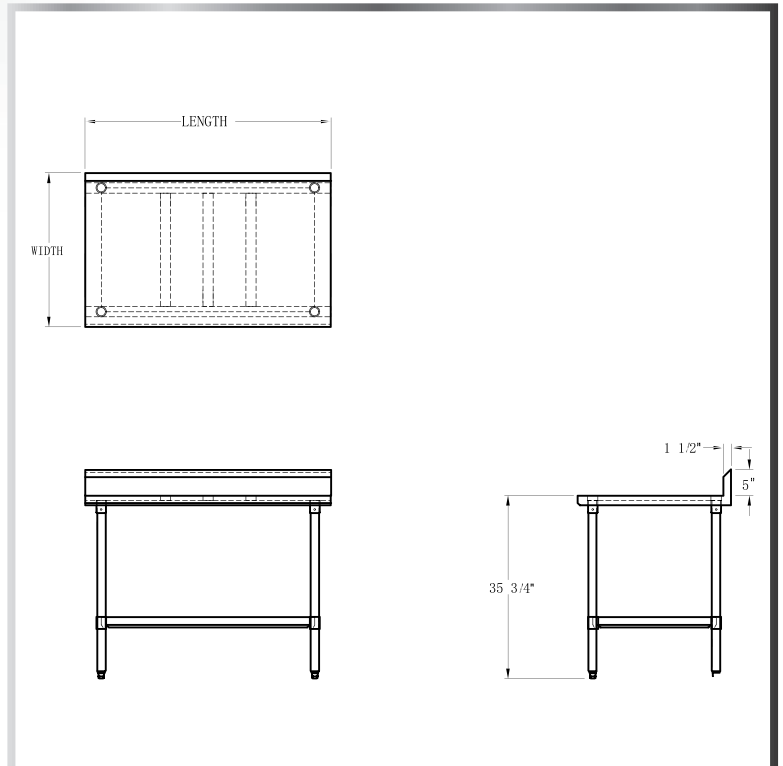
**\*To Add Casters  
(LC-S4)...See Page 126\***

## MATERIALS

- 14 Gauge 304 Stainless Steel Top
- 18 Gauge 304 Stainless Steel Lower Shelf With Aluminum Corners
- Stainless Steel Legs and Bullet Feet

## FEATURES

- Straight Turndown Edges
- Adjustable Lower Shelf and Bullet Feet
- Available As Cross-Braced Worktable (-X)



Include a Table Drawer and Table Mounted Over Shelf With Your Order!  
(See Pages 124 & 130-131)

MODEL NUMBER	LENGTH	WIDTH
TS4-4836R5	48"	36"
TS4-6036R5	60"	36"
TS4-7236R5	72"	36"
TS4-4836R5-X	48"	36"
TS4-6036R5-X	60"	36"
TS4-7236R5-X	72"	36"

(609) 642 - 8389 | SALES@NBREQUIPMENT.COM | WWW.NBREQUIPMENT.COM

NBR EQUIPMENT, 10 ABEEL ROAD, CRANBURY, NJ 08512



# ECONOMY WORKTABLE WITH 5" BACKSPLASH



## WORKTABLES - 5" SPLASH

### MATERIALS

- 18 Gauge 430 Series Stainless Steel Top
  - Galvanized Lower Shelf and Legs
  - Plastic Bullet Feet

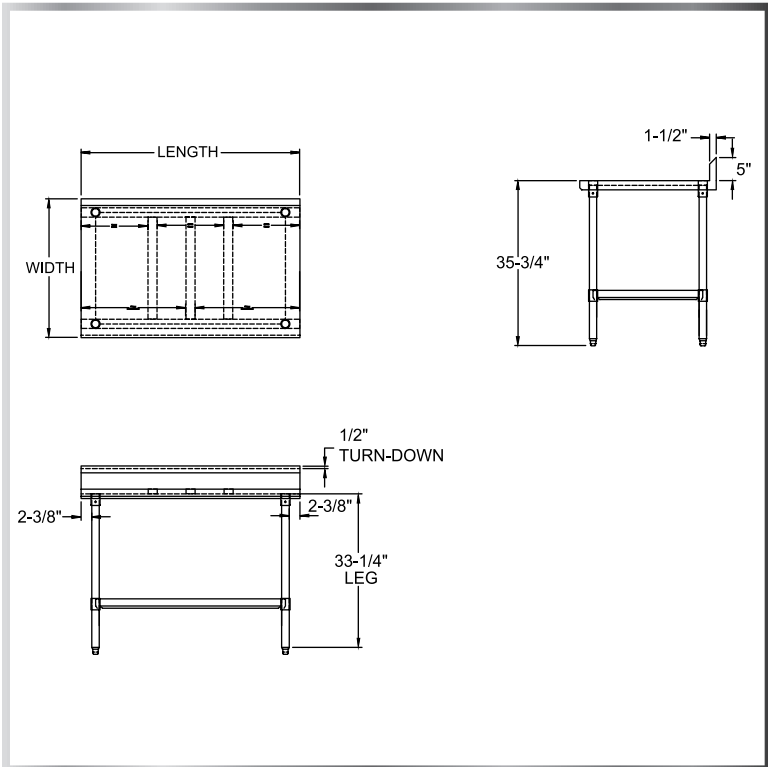


**\*To Add Casters  
(LC-G4 or LC-G6\*)...See  
Page 126\***

### FEATURES

- Straight Turndown Edges
- Adjustable Lower Shelf and Bullet Feet (\* Has 6 Legs)

Include a Table Drawer  
and Table Mounted Over Shelf With Your  
Order!  
(See Pages 124 & 130-131)



MODEL NUMBER	LENGTH	WIDTH
TG-2424R5	24"	24"
TG-3024R5	30"	24"
TG-3624R5	36"	24"
TG-4824R5	48"	24"
TG-6024R5	60"	24"
TG-7224R5	72"	24"
TG-8424R5*	84"	24"
TG-9624R5*	96"	24"

MODEL NUMBER	LENGTH	WIDTH
TG-3030R5	30"	30"
TG-3630R5	36"	30"
TG-4830R5	48"	30"
TG-6030R5	60"	30"
TG-7230R5	72"	30"
TG-8430R5*	84"	30"
TG-9630R5*	96"	30"

(609) 642 - 8389 | SALES@NBREQUIPMENT.COM | WWW.NBREQUIPMENT.COM

NBR EQUIPMENT, 10 ABEEL ROAD, CRANBURY, NJ 08512

# PREMIUM CROSS-BRACED FLAT TOP WORKTABLE

**18GA**

**WORKTABLES - CROSS-BRACED**



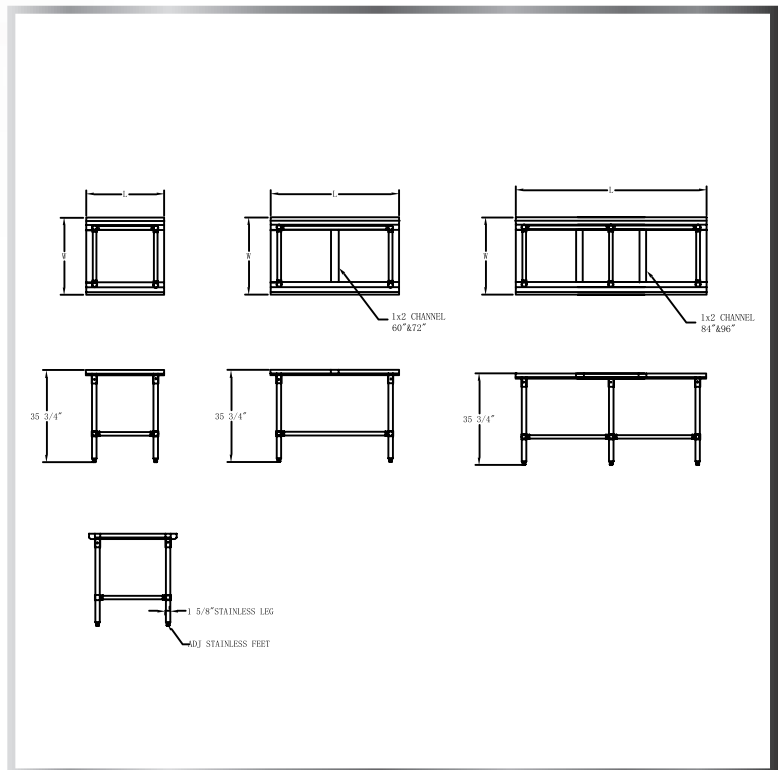
**\*To Add Casters  
(LC-S4 or LC-S6\*)...See  
Page 126\***

## MATERIALS

- 18 Gauge 430 Series Stainless Steel Top
- Stainless Steel Cross-Bracing, Legs, and Bullet Feet

## FEATURES

- Straight Turndown Edges
- Adjustable Bullet Feet (\* Has 6 Legs)
- Cross-Bracing For Reinforced Support



Include a Table Drawer  
and Table Mounted Over Shelf With Your  
Order!  
(See Pages 124 & 130-131)

MODEL NUMBER	LENGTH	WIDTH
TS-2424-X	24"	24"
TS-3024-X	30"	24"
TS-3030-X	30"	30"
TS-3624-X	36"	24"
TS-3630-X	36"	30"
TS-4824-X	48"	24"
TS-4830-X	48"	30"

MODEL NUMBER	LENGTH	WIDTH
TS-6024-X	60"	24"
TS-6030-X	60"	30"
TS-7224-X	72"	24"
TS-7230-X	72"	30"
TS-8424-X*	84"	24"
TS-8430-X*	84"	30"
TS-9624-X*	96"	24"
TS-9630-X*	96"	30"

(609) 642 - 8389 | SALES@NBREQUIPMENT.COM | WWW.NBREQUIPMENT.COM

NBR EQUIPMENT, 10 ABEEL ROAD, CRANBURY, NJ 08512

# PREMIUM CROSS-BRACED WORKTABLE WITH 1-1/2" BACKSPLASH



WORKTABLES - CROSS-BRACED

18GA

## MATERIALS

- 18 Gauge 430 Series Stainless Steel Top
- Stainless Steel Cross-Bracing, Legs, and Bullet Feet

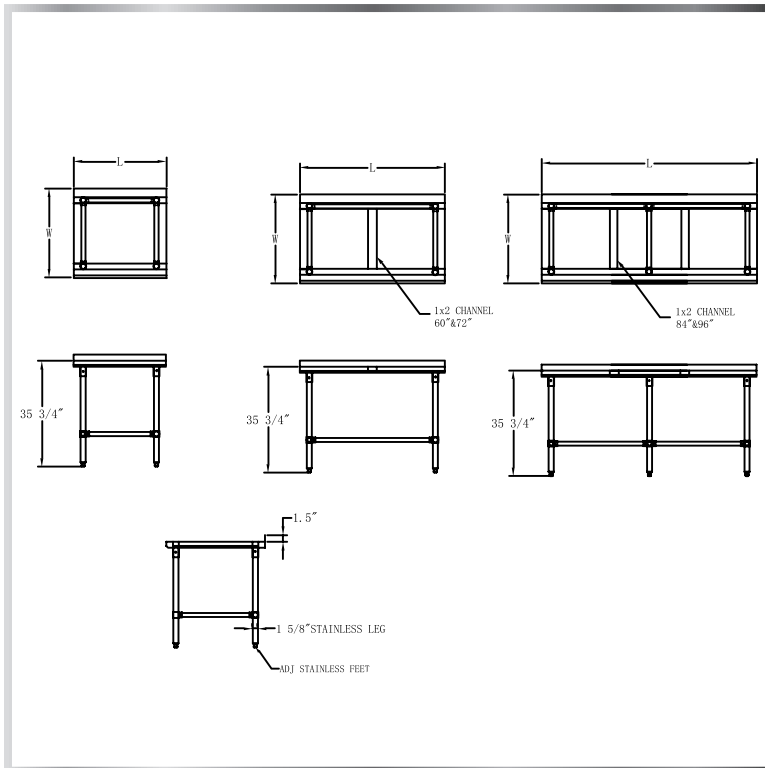


**\*To Add Casters  
(LC-S4 or LC-S6\*)...See  
Page 126\***

## FEATURES

- Straight Turndown Edges
- Adjustable Bullet Feet (\* Has 6 Legs)
- Cross-Bracing For Reinforced Support

Include a Table Drawer  
and Table Mounted Over Shelf With Your  
Order!  
(See Pages 124 & 130-131)



MODEL NUMBER	LENGTH	WIDTH
TS-2424R-X	24"	24"
TS-3024R-X	30"	24"
TS-3030R-X	30"	30"
TS-3624R-X	36"	24"
TS-3630R-X	36"	30"
TS-4824R-X	48"	24"
TS-4830R-X	48"	30"

MODEL NUMBER	LENGTH	WIDTH
TS-6024R-X	60"	24"
TS-6030R-X	60"	30"
TS-7224R-X	72"	24"
TS-7230R-X	72"	30"
TS-8424R-X*	84"	24"
TS-8430R-X*	84"	30"
TS-9624R-X*	96"	24"
TS-9630R-X*	96"	30"

(609) 642 - 8389 | SALES@NBREQUIPMENT.COM | WWW.NBREQUIPMENT.COM

NBR EQUIPMENT, 10 ABEEL ROAD, CRANBURY, NJ 08512

# PREMIUM CROSS-BRACED WORKTABLE WITH 5" BACKSPLASH

**18GA**

**WORKTABLES - CROSS-BRACED**



**\*To Add Casters  
(LC-S4 or LC-S6\*)...See**

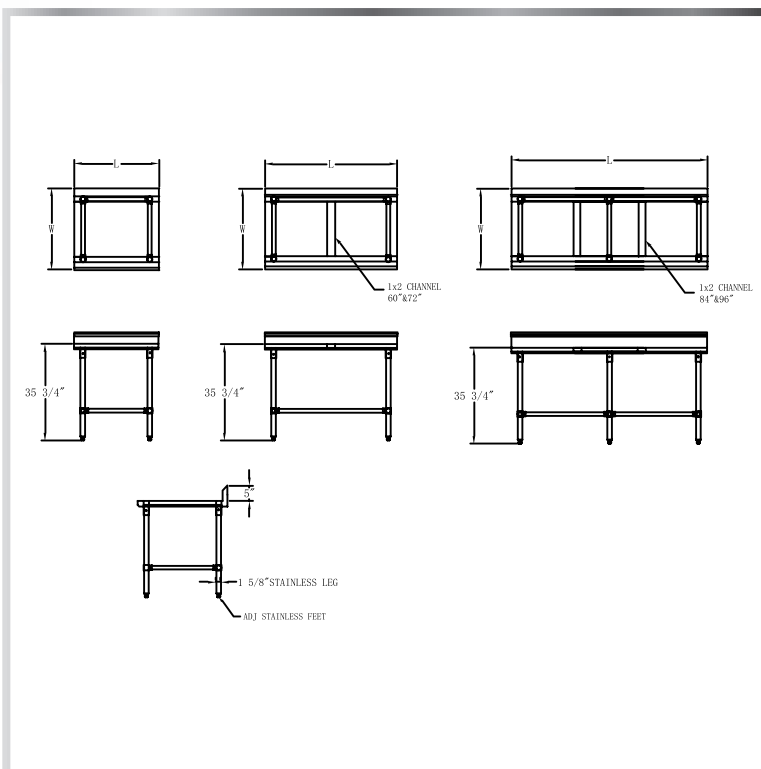
**Page 126\***

## MATERIALS

- 18 Gauge 430 Series Stainless Steel Top
- Stainless Steel Cross-Bracing, Legs, and Bullet Feet

## FEATURES

- Straight Turndown Edges
- Adjustable Bullet Feet (\* Has 6 Legs)
- Cross-Bracing For Reinforced Support



Include a Table Drawer  
and Table Mounted Over Shelf With Your  
Order!  
(See Pages 124 & 130-131)

MODEL NUMBER	LENGTH	WIDTH
TS-2424R5-X	24"	24"
TS-3024R5-X	30"	24"
TS-3624R5-X	36"	24"
TS-4824R5-X	48"	24"
TS-6024R5-X	60"	24"
TS-7224R5-X	72"	24"
TS-8424R5-X*	84"	24"
TS-9624R5-X*	96"	24"

MODEL NUMBER	LENGTH	WIDTH
TS-3030R5-X	30"	30"
TS-3630R5-X	36"	30"
TS-4830R5-X	48"	30"
TS-6030R5-X	60"	30"
TS-7230R5-X	72"	30"
TS-8430R5-X*	84"	30"
TS-9630R5-X*	96"	30"

(609) 642 - 8389 | SALES@NBREQUIPMENT.COM | WWW.NBREQUIPMENT.COM

NBR EQUIPMENT, 10 ABEEL ROAD, CRANBURY, NJ 08512

# PREMIUM CROSS-BRACED FLAT TOP WORKTABLE



WORKTABLES - CROSS-BRACED

16GA

## MATERIALS

- 16 Gauge 304 Stainless Steel
- Stainless Steel Cross-Bracing, Legs, and Bullet Feet

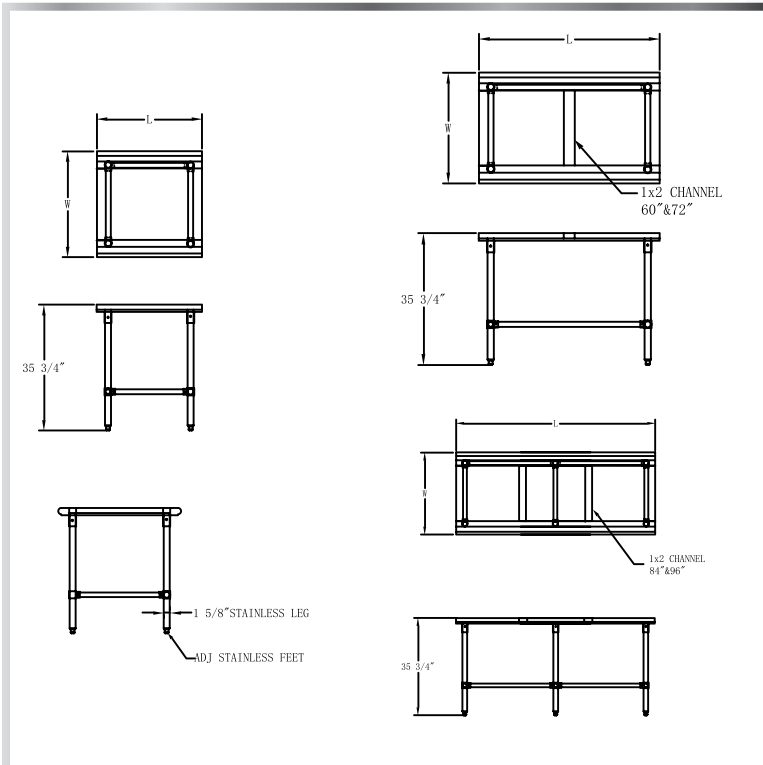


**\*To Add Casters  
(LC-S4 or LC-S6\*)...See  
Page 126\***

## FEATURES

- Bullnose Front and Rear Edges
- Adjustable Bullet Feet (\* Has 6 Legs/Feet)
- Cross-Bracing For Reinforced Support

Include a Table Drawer  
and Table Mounted Over Shelf With Your  
Order!  
(See Pages 124 & 130-131)



MODEL NUMBER	LENGTH	WIDTH
TS6-2424-X	24"	24"
TS6-3024-X	30"	24"
TS6-3030-X	30"	30"
TS6-3624-X	36"	24"
TS6-3630-X	36"	30"
TS6-4824-X	48"	24"
TS6-4830-X	48"	30"

MODEL NUMBER	LENGTH	WIDTH
TS6-6024-X	60"	24"
TS6-6030-X	60"	30"
TS6-7224-X	72"	24"
TS6-7230-X	72"	30"
TS6-8424-X*	84"	24"
TS6-8430-X*	84"	30"
TS6-9624-X*	96"	24"
TS6-9630-X*	96"	30"

(609) 642 - 8389 | SALES@NBREQUIPMENT.COM | WWW.NBREQUIPMENT.COM

NBR EQUIPMENT, 10 ABEEL ROAD, CRANBURY, NJ 08512

# PREMIUM CROSS-BRACED WORKTABLE WITH 5" BACKSPLASH

**16GA**

**WORKTABLES - CROSS-BRACED**



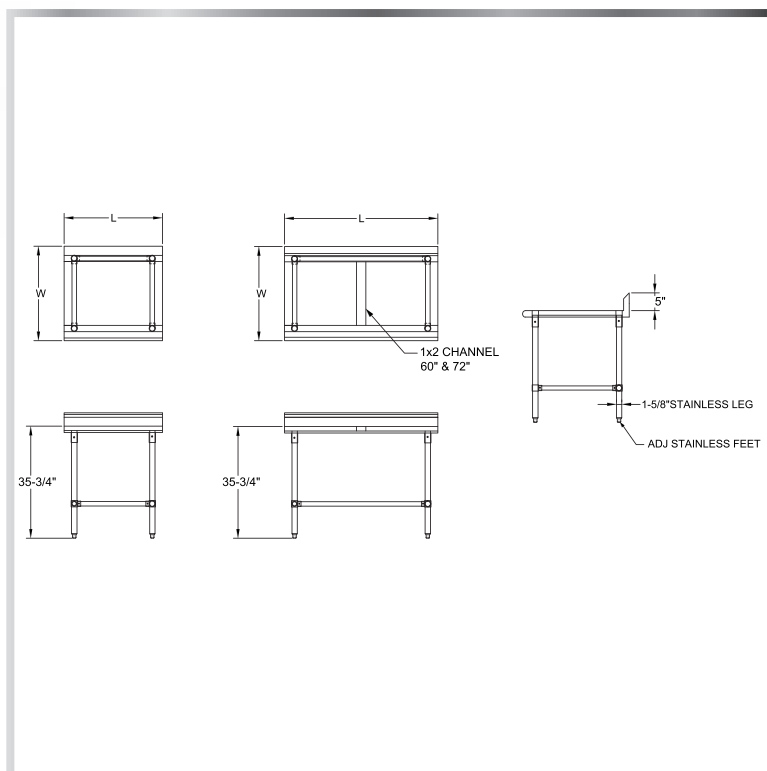
**\*To Add Casters  
(LC-S4 or LC-S6\*)...See  
Page 126\***

## MATERIALS

- 16 Gauge 304 Stainless Steel
- Stainless Steel Cross-Bracing, Legs, and Bullet Feet

## FEATURES

- Bullnose Front and Rear Edges
- Adjustable Bullet Feet (\* Has 6 Legs/Feet)
- Cross-Bracing For Reinforced Support



Include a Table Drawer  
and Table Mounted Over Shelf With Your  
Order!  
(See Pages 124 & 130-131)

MODEL NUMBER	LENGTH	WIDTH
TS6-2424R5-X	24"	24"
TS6-3024R5-X	30"	24"
TS6-3624R5-X	36"	24"
TS6-4824R5-X	48"	24"
TS6-6024R5-X	60"	24"
TS6-7224R5-X	72"	24"
TS6-8424R5-X*	84"	24"
TS6-9624R5-X*	96"	24"

MODEL NUMBER	LENGTH	WIDTH
TS6-3030R5-X	30"	30"
TS6-3630R5-X	36"	30"
TS6-4830R5-X	48"	30"
TS6-6030R5-X	60"	30"
TS6-7230R5-X	72"	30"
TS6-8430R5-X*	84"	30"
TS6-9630R5-X*	96"	30"

(609) 642 - 8389 | SALES@NBREQUIPMENT.COM | WWW.NBREQUIPMENT.COM

NBR EQUIPMENT, 10 ABEEL ROAD, CRANBURY, NJ 08512

# ECONOMY CROSS-BRACED FLAT TOP WORKTABLE



## WORKTABLES - CROSS-BRACED

### MATERIALS

- 18 Gauge 430 Series Stainless Steel Top
  - Galvanized Cross-Bracing and Legs
  - Plastic Bullet Feet

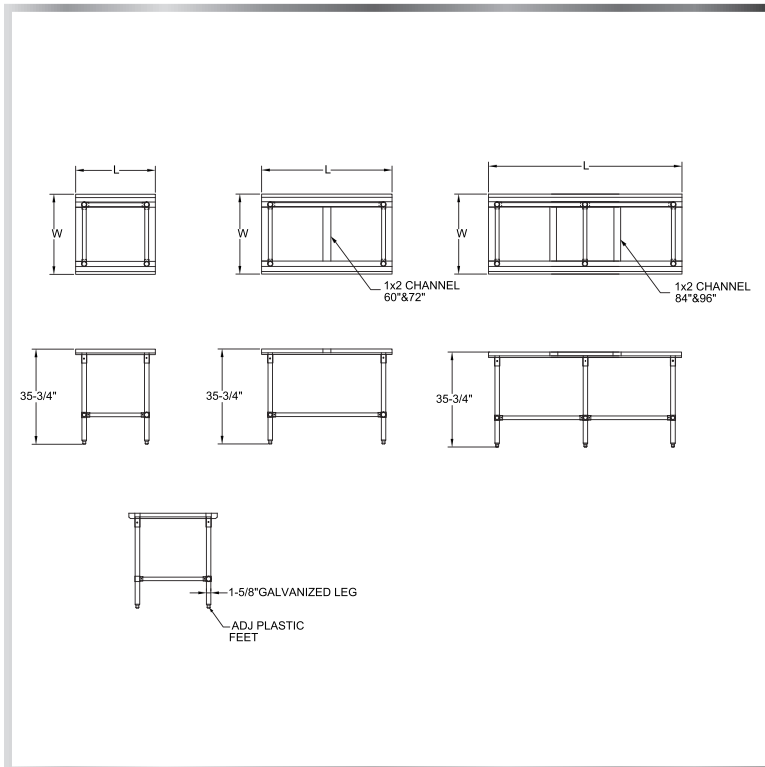


**\*To Add Casters  
(LC-G4 or LC-G6\*)...See  
Page 126\***

### FEATURES

- Straight Turndown Edges
- Adjustable Bullet Feet (\* Has 6 Legs)
- Cross-Bracing For Reinforced Support

Include a Table Drawer  
and Table Mounted Over Shelf With Your  
Order!  
(See Pages 124 & 130-131)



MODEL NUMBER	LENGTH	WIDTH
TG-2424-X	24"	24"
TG-3024-X	30"	24"
TG-3030-X	30"	30"
TG-3624-X	36"	24"
TG-3630-X	36"	30"
TG-4824-X	48"	24"
TG-4830-X	48"	30"

MODEL NUMBER	LENGTH	WIDTH
TG-6024-X	60"	24"
TG-6030-X	60"	30"
TG-7224-X	72"	24"
TG-7230-X	72"	30"
TG-8424-X*	84"	24"
TG-8430-X*	84"	30"
TG-9624-X*	96"	24"
TG-9630-X*	96"	30"

(609) 642 - 8389 | SALES@NBREQUIPMENT.COM | WWW.NBREQUIPMENT.COM

NBR EQUIPMENT, 10 ABEEL ROAD, CRANBURY, NJ 08512



# ECONOMY CROSS-BRACED WORKTABLE WITH 1-1/2" BACKSPLASH

WORKTABLES - CROSS-BRACED



**\*To Add Casters  
(LC-G4 or LC-G6\*)...See  
Page 126\***

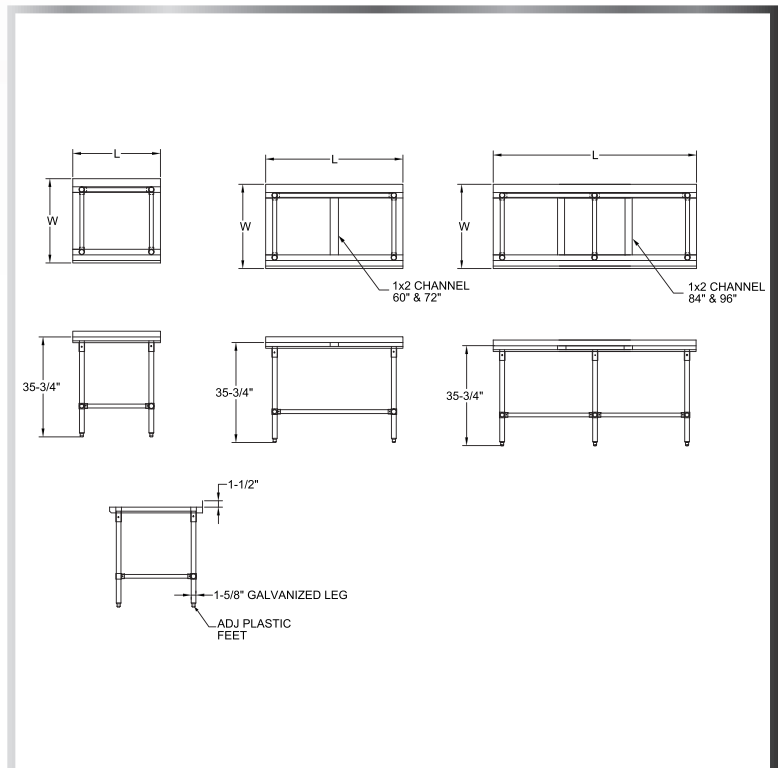
## MATERIALS

- 18 Gauge 430 Series Stainless Steel Top
- Galvanized Cross-Bracing and Legs
- Plastic Bullet Feet

## FEATURES

- Straight Turndown Edges
- Adjustable Bullet Feet (\* Has 6 Legs)
- Cross-Bracing For Reinforced Support

Include a Table Drawer  
and Table Mounted Over Shelf With Your  
Order!  
(See Pages 124 & 130-131)



MODEL NUMBER	LENGTH	WIDTH
TG-2424R-X	24"	24"
TG-3024R-X	30"	24"
TG-3030R-X	30"	30"
TG-3624R-X	36"	24"
TG-3630R-X	36"	30"
TG-4824R-X	48"	24"
TG-4830R-X	48"	30"

MODEL NUMBER	LENGTH	WIDTH
TG-6024R-X	60"	24"
TG-6030R-X	60"	30"
TG-7224R-X	72"	24"
TG-7230R-X	72"	30"
TG-8424R-X*	84"	24"
TG-8430R-X*	84"	30"
TG-9624R-X*	96"	24"
TG-9630R-X*	96"	30"

(609) 642 - 8389 | SALES@NBREQUIPMENT.COM | WWW.NBREQUIPMENT.COM

NBR EQUIPMENT, 10 ABEEL ROAD, CRANBURY, NJ 08512

# ECONOMY CROSS-BRACED WORKTABLE WITH 5" BACKSPLASH



## WORKTABLES - CROSS-BRACED

### MATERIALS

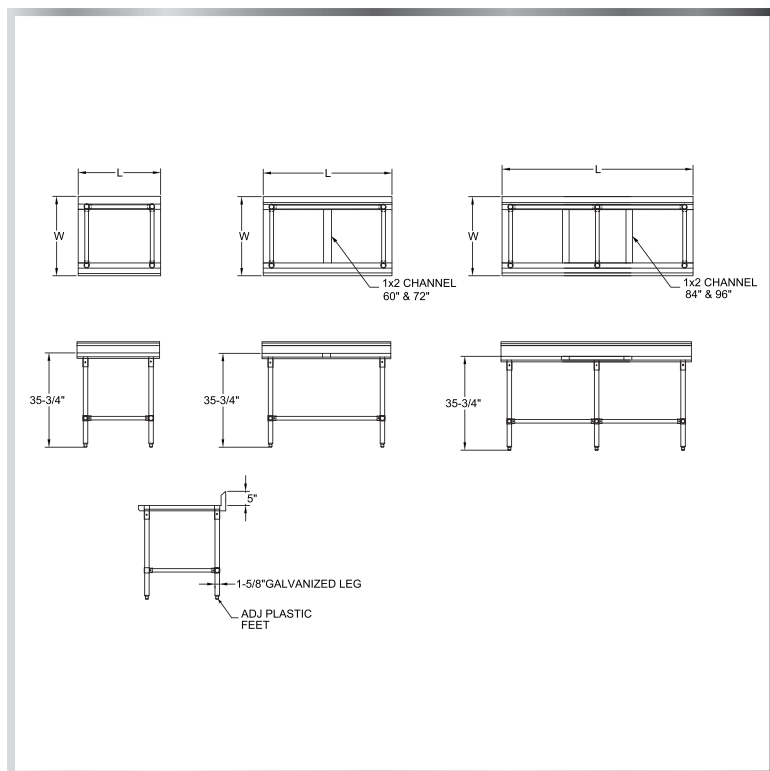
- 18 Gauge 430 Series Stainless Steel Top
  - Galvanized Cross-Bracing and Legs
  - Plastic Bullet Feet



**\*To Add Casters  
(LC-G4 or LC-G6\*)...See  
Page 126\***

### FEATURES

- Straight Turndown Edges
- Adjustable Bullet Feet (\* Has 6 Legs)
- Cross-Bracing For Reinforced Support



Include a Table Drawer  
and Table Mounted Over Shelf With Your  
Order!  
(See Pages 124 & 130-131)

MODEL NUMBER	LENGTH	WIDTH
TG-2424R5-X	24"	24"
TG-3024R5-X	30"	24"
TG-3624R5-X	36"	24"
TG-4824R5-X	48"	24"
TG-6024R5-X	60"	24"
TG-7224R5-X	72"	24"
TG-8424R5-X*	84"	24"
TG-9624R5-X*	96"	24"

MODEL NUMBER	LENGTH	WIDTH
TG-3030R5-X	30"	30"
TG-3630R5-X	36"	30"
TG-4830R5-X	48"	30"
TG-6030R5-X	60"	30"
TG-7230R5-X	72"	30"
TG-8430R5-X*	84"	30"
TG-9630R5-X*	96"	30"

(609) 642 - 8389 | SALES@NBREQUIPMENT.COM | WWW.NBREQUIPMENT.COM

NBR EQUIPMENT, 10 ABEEL ROAD, CRANBURY, NJ 08512

# HEIGHT ADJUSTABLE WORKTABLE

## WORKTABLES - HEIGHT ADJUSTABLE

16GA



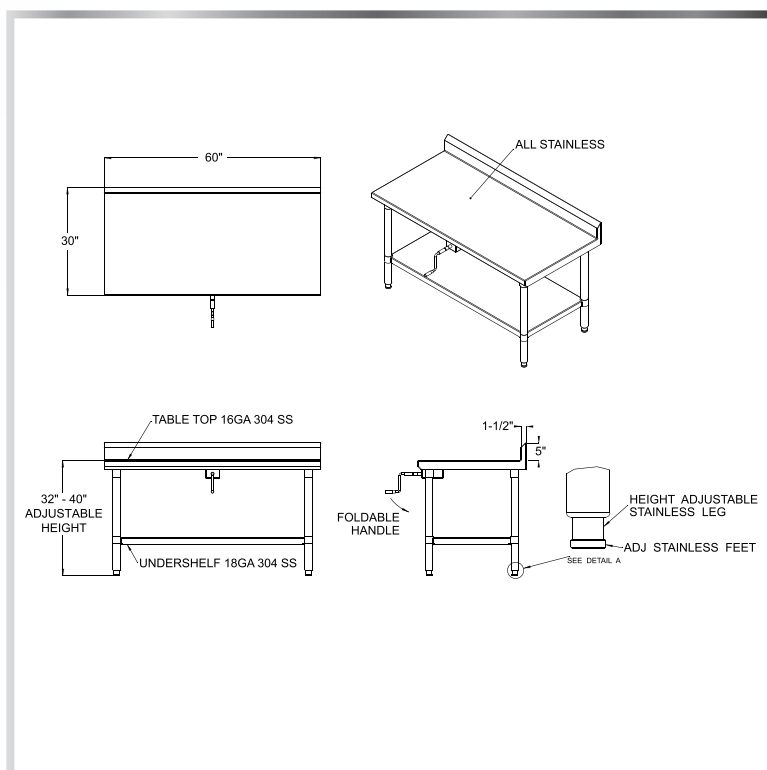
### MATERIALS

- 16 Gauge 304 Stainless Steel Top
- 18 Gauge 304 Stainless Steel Under-Shelf
- Stainless Steel Foldable Handle



### FEATURES

- 8" Height Adjustment (32"- 40")
- Adjustable Lower Shelf and Bullet Feet
  - 5" Backsplash (Right Column)
- Also Available As A Flat Top (Left Column)



Limited Local Inventory  
(Special Order Item)  
Lead Time 10-12 Weeks

MODEL NUMBER	LENGTH	WIDTH
ATS6-3624	36"	24"
ATS6-4824	48"	24"
ATS6-6024	60"	24"
ATS6-7224	72"	24"
ATS6-3630	36"	30"
ATS6-4830	48"	30"
ATS6-6030	60"	30"
ATS6-7230	72"	30"

MODEL NUMBER	LENGTH	WIDTH
ATS6-3624R5	36"	24"
ATS6-4824R5	48"	24"
ATS6-6024R5	60"	24"
ATS6-7224R5	72"	24"
ATS6-3630R5	36"	30"
ATS6-4830R5	48"	30"
ATS6-6030R5	60"	30"
ATS6-7230R5	72"	30"

(609) 642 - 8389 | SALES@NBREQUIPMENT.COM | WWW.NBREQUIPMENT.COM

NBR EQUIPMENT, 10 ABEEL ROAD, CRANBURY, NJ 08512

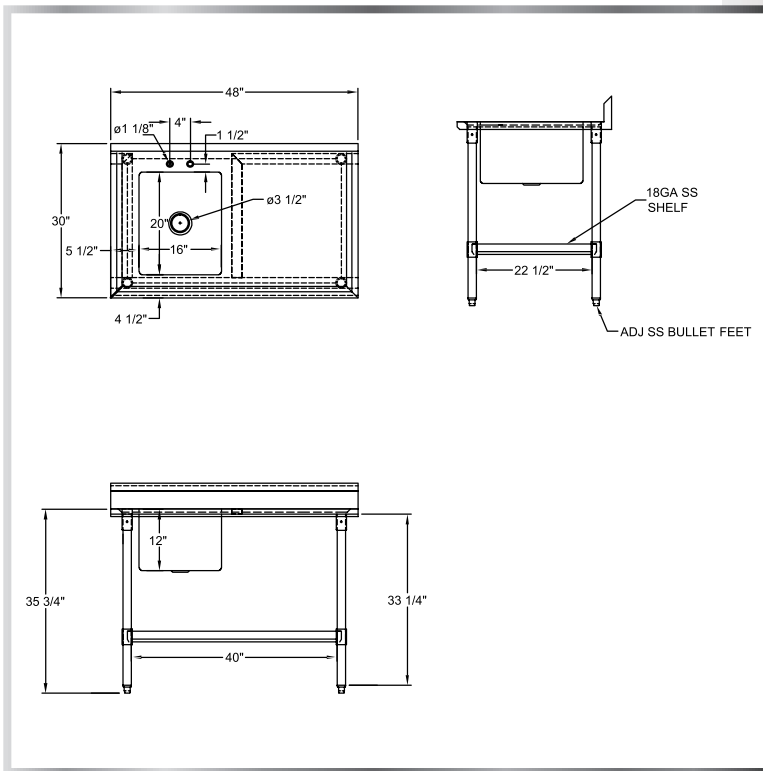
# PREMIUM 1-BOWL PREP TABLE WITH 5" BACKSPLASH (BOWL ON LEFT)

WORKTABLES - WITH BOWL



## MATERIALS

- 18 Gauge 304 Stainless Steel
- Stainless Steel Lower Shelf, Legs, and Bullet Feet



## FEATURES

- 4" On-Center Deck-Mounted Faucet Holes
- 10" Deep Sink Bowl (On Left Side)
- Adjustable Lower Shelf and Bullet Feet
- Marine Edges
- Drain Basket Included

Include a New 4" OC Faucet and Sink Bowl Cover With Your Order!  
(See Pages 76 & 78)

MODEL NUMBER	BOWL SIZE L X W X H	LENGTH	WIDTH
PTS-1620L4	16" x 20" x 10"	48"	30"
PTS-1620L5	16" x 20" x 10"	60"	30"
PTS-1620L6	16" x 20" x 10"	72"	30"

# PREMIUM 1-BOWL PREP TABLE WITH 5" BACKSPLASH (BOWL ON RIGHT)

WORKTABLES - WITH BOWL

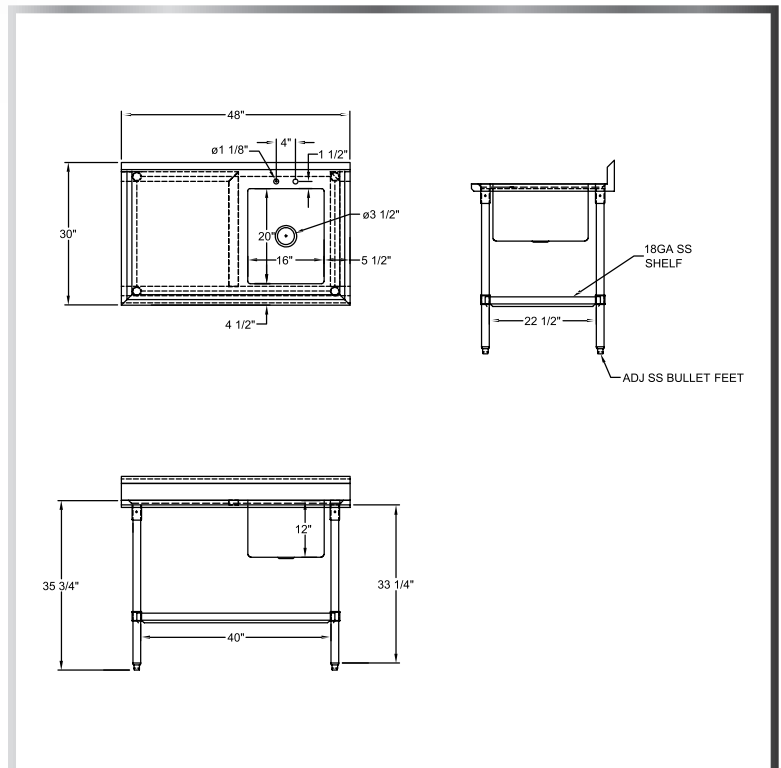


## MATERIALS

- 18 Gauge 304 Stainless Steel
- Stainless Steel Lower Shelf, Legs, and Bullet Feet

## FEATURES

- 4" On-Center Deck-Mounted Faucet Holes
  - 10" Deep Sink Bowl (On Right Side)
  - Adjustable Lower Shelf and Bullet Feet
    - Marine Edges
    - Drain Basket Included



Include a New 4" OC Faucet and Sink Bowl Cover With Your Order!  
(See Pages 76 & 78)

MODEL NUMBER	BOWL SIZE L X W X H	LENGTH	WIDTH
PTS-1620R4	16" x 20" x 10"	48"	30"
PTS-1620R5	16" x 20" x 10"	60"	30"
PTS-1620R6	16" x 20" x 10"	72"	30"

(609) 642 - 8389 | SALES@NBREQUIPMENT.COM | WWW.NBREQUIPMENT.COM

NBR EQUIPMENT, 10 ABEEL ROAD, CRANBURY, NJ 08512

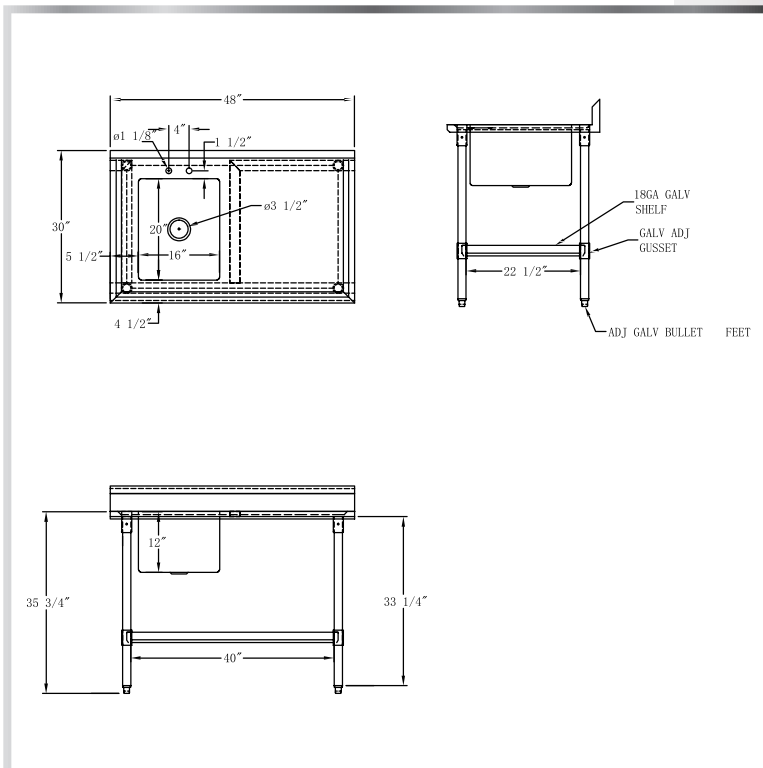
# ECONOMY 1-BOWL PREP TABLE WITH 5" BACKSPLASH (BOWL ON LEFT)

WORKTABLES - WITH BOWL



## MATERIALS

- 18 Gauge 304 Stainless Steel
- Galvanized Lower Shelf, Legs, and Bullet Feet



## FEATURES

- 4" On-Center Deck-Mounted Faucet Holes
- 10" Deep Sink Bowl (On Left Side)
- Adjustable Lower Shelf and Bullet Feet
- Marine Edges
- Drain Basket Included

Include a New 4" OC Faucet and Sink Bowl Cover With Your Order!  
(See Pages 76 & 78)

MODEL NUMBER	BOWL SIZE L X W X H	LENGTH	WIDTH
PTG-1620L4	16" x 20" x 10"	48"	30"
PTG-1620L5	16" x 20" x 10"	60"	30"
PTG-1620L6	16" x 20" x 10"	72"	30"

# ECONOMY 1-BOWL PREP TABLE WITH 5" BACKSPLASH (BOWL ON RIGHT)

WORKTABLES - WITH BOWL

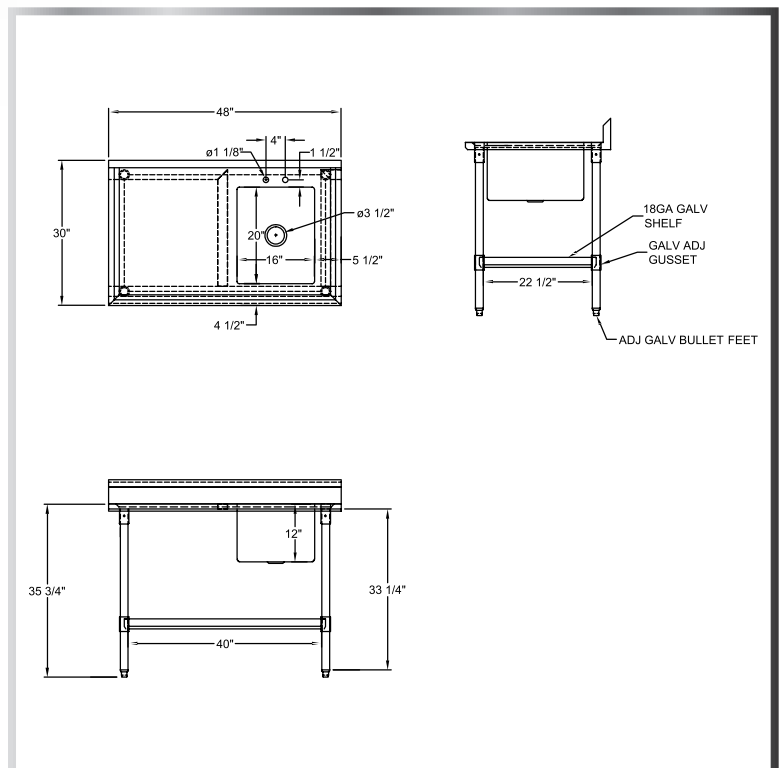


## MATERIALS

- 18 Gauge 304 Stainless Steel
- Galvanized Lower Shelf, Legs, and Bullet Feet

## FEATURES

- 4" On-Center Deck-Mounted Faucet Holes
  - 10" Deep Sink Bowl (On Right Side)
  - Adjustable Lower Shelf and Bullet Feet
    - Marine Edges
    - Drain Basket Included



Include a New 4" OC Faucet and Sink Bowl Cover With Your Order!  
(See Pages 76 & 78)

MODEL NUMBER	BOWL SIZE L X W X H	LENGTH	WIDTH
PTG-1620R4	16" x 20" x 10"	48"	30"
PTG-1620R5	16" x 20" x 10"	60"	30"
PTG-1620R6	16" x 20" x 10"	72"	30"

(609) 642 - 8389 | SALES@NBREQUIPMENT.COM | WWW.NBREQUIPMENT.COM

NBR EQUIPMENT, 10 ABEEL ROAD, CRANBURY, NJ 08512



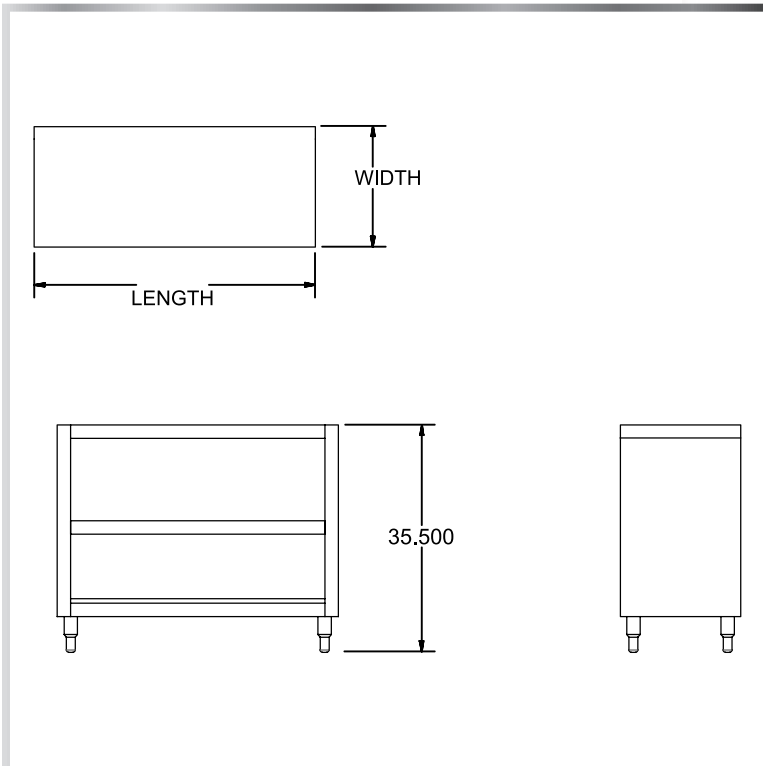
# FLAT TOP WORKTABLE WITH OPEN FRONT & ENCLOSED BASE

## WORKTABLES - ENCLOSED BASE



### MATERIALS

- 14 Gauge 304 Stainless Steel Top
- 18 Gauge Stainless Steel Body
- Stainless Steel Lower Shelf, Legs, and Bullet Feet



### FEATURES

- Enclosed Cabinet Base
- Adjustable Middle Shelf and Fixed Lower Shelf
- Adjustable Legs and Bullet Feet

MODEL NUMBER	LENGTH	WIDTH
TCB-4824	48"	24"
TCB-6024	60"	24"
TCB-7224	72"	24"
TCB-4830	48"	30"
TCB-6030	60"	30"
TCB-7230	72"	30"

(609) 642 - 8389 | SALES@NBREQUIPMENT.COM | WWW.NBREQUIPMENT.COM

NBR EQUIPMENT, 10 ABEEL ROAD, CRANBURY, NJ 08512

# FLAT TOP WORKTABLE WITH ENCLOSED BASE & SLIDING DOORS

WORKTABLES - ENCLOSED BASE

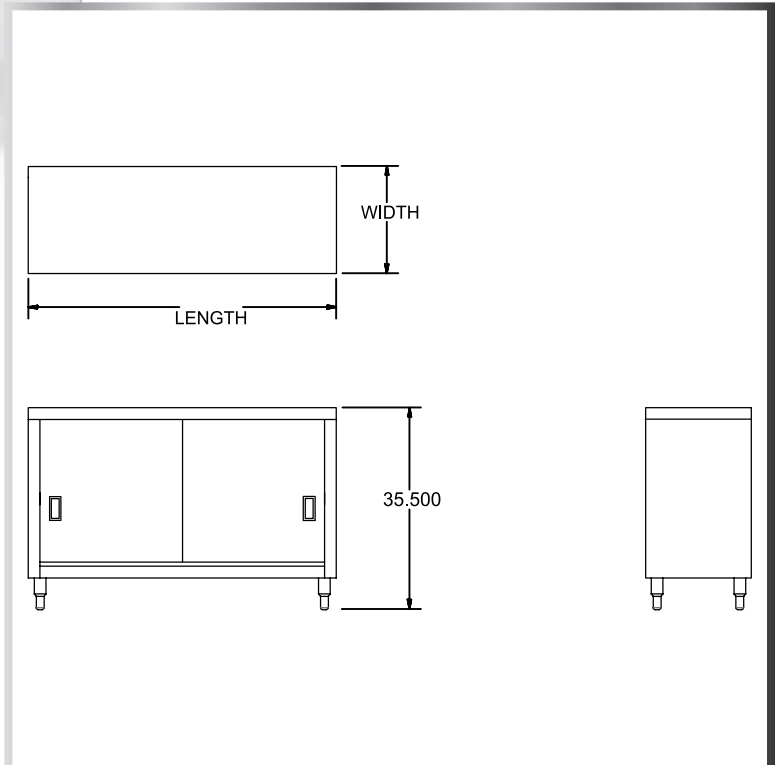


## MATERIALS

- 14 Gauge 304 Stainless Steel Top
- 18 Gauge Stainless Steel Body
- Stainless Steel Panels on Sides and Rear
- Stainless Steel Lower Shelf, Legs, and Bullet Feet

## FEATURES

- Enclosed Cabinet Base
  - Two Sliding Doors
- Adjustable Middle Shelf and Fixed Lower Shelf
- Adjustable Legs and Bullet Feet



MODEL NUMBER	LENGTH	WIDTH
TCB-3624S	36"	24"
TCB-4824S	48"	24"
TCB-6024S	60"	24"
TCB-7224S	72"	24"
TCB-3630S	36"	30"
TCB-4830S	48"	30"
TCB-6030S	60"	30"
TCB-7230S	72"	30"

(609) 642 - 8389 | SALES@NBREQUIPMENT.COM | WWW.NBREQUIPMENT.COM

NBR EQUIPMENT, 10 ABEEL ROAD, CRANBURY, NJ 08512

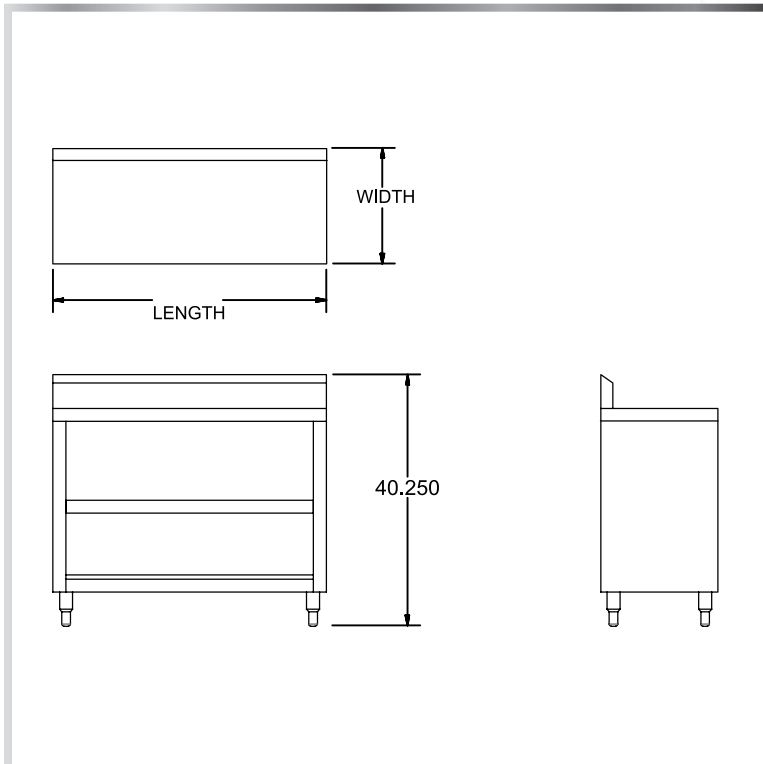
# WORKTABLE WITH 5" BACKSPLASH, ENCLOSED BASE, & OPEN FRONT



WORKTABLES - ENCLOSED BASE

## MATERIALS

- 14 Gauge 304 Stainless Steel Top
  - 18 Gauge Stainless Steel Body
- Stainless Steel Lower Shelf, Legs, and Bullet Feet



## FEATURES

- Enclosed Cabinet Base
- Adjustable Middle Shelf and Fixed Lower Shelf
- Adjustable Legs and Bullet Feet

MODEL NUMBER	LENGTH	WIDTH
TCB-4824R5	48"	24"
TCB-6024R5	60"	24"
TCB-7224R5	72"	24"
TCB-4830R5	48"	30"
TCB-6030R5	60"	30"
TCB-7230R5	72"	30"

(609) 642 - 8389 | SALES@NBREQUIPMENT.COM | WWW.NBREQUIPMENT.COM

NBR EQUIPMENT, 10 ABEEL ROAD, CRANBURY, NJ 08512

# WORKTABLE WITH 5" BACKSPLASH & SLIDING DOORS

WORKTABLES - ENCLOSED BASE

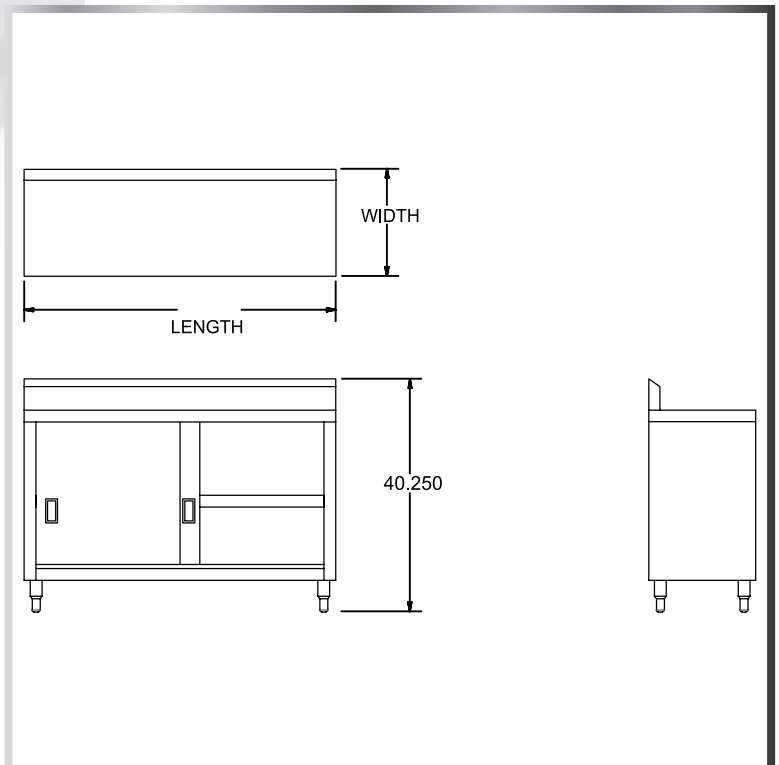


## MATERIALS

- 14 Gauge 304 Stainless Steel Top
- 18 Gauge Stainless Steel Body
- Enclosed With Stainless Steel Panels on Sides and Rear
- Stainless Steel Lower Shelf, Legs, and Bullet Feet

## FEATURES

- Enclosed Cabinet Base
  - Two Sliding Doors
- Adjustable Middle Shelf and Fixed Lower Shelf
- Adjustable Legs and Bullet Feet



MODEL NUMBER	LENGTH	WIDTH
TCB-4824R5S	48"	24"
TCB-6024R5S	60"	24"
TCB-7224R5S	72"	24"
TCB-3630R5S	36"	30"
TCB-4830R5S	48"	30"
TCB-6030R5S	60"	30"
TCB-7230R5S	72"	30"

(609) 642 - 8389 | SALES@NBREQUIPMENT.COM | WWW.NBREQUIPMENT.COM

NBR EQUIPMENT, 10 ABEEL ROAD, CRANBURY, NJ 08512

# PREMIUM FILLER TABLE

## WORKTABLES - FILLER TABLES



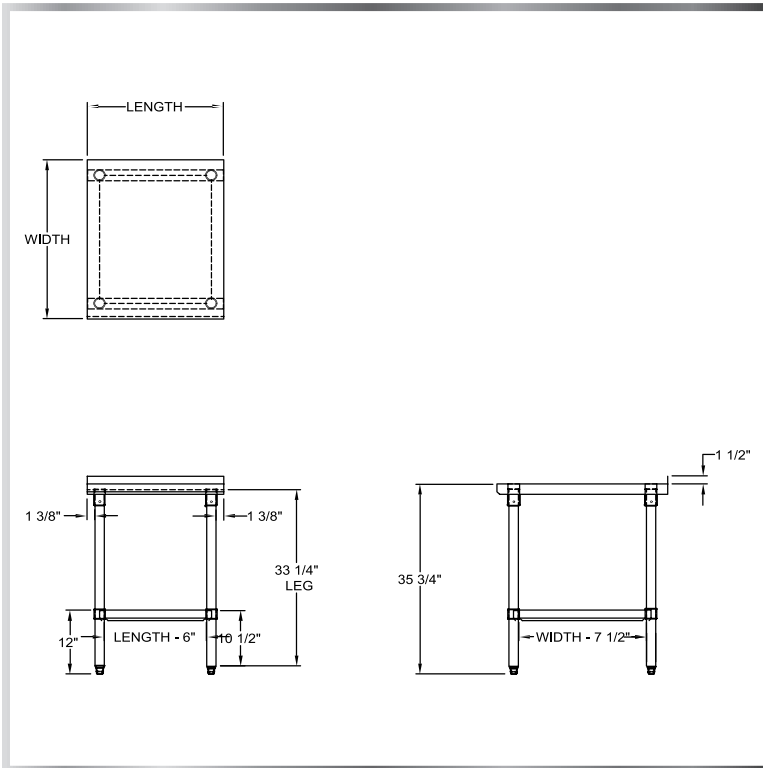
### MATERIALS

- 18 Gauge 430 Series Stainless Steel
- Stainless Steel Legs and Bullet Feet



### FEATURES

- 1-1/2" Backsplash
- Straight Turndown Edges
- Adjustable Lower Shelf and Bullet Feet



MODEL NUMBER	LENGTH	WIDTH
TS-F1236	12"	36"
TS-F1524	15"	24"
TS-F1530	15"	30"
TS-F1536	15"	36"
TS-F1824	18"	24"
TS-F1830	18"	30"
TS-F1836	18"	36"
TS-F2430	24"	30"

(609) 642 - 8389 | SALES@NBREQUIPMENT.COM | WWW.NBREQUIPMENT.COM

NBR EQUIPMENT, 10 ABEEL ROAD, CRANBURY, NJ 08512

# ECONOMY FILLER TABLE

## WORKTABLES - FILLER TABLES

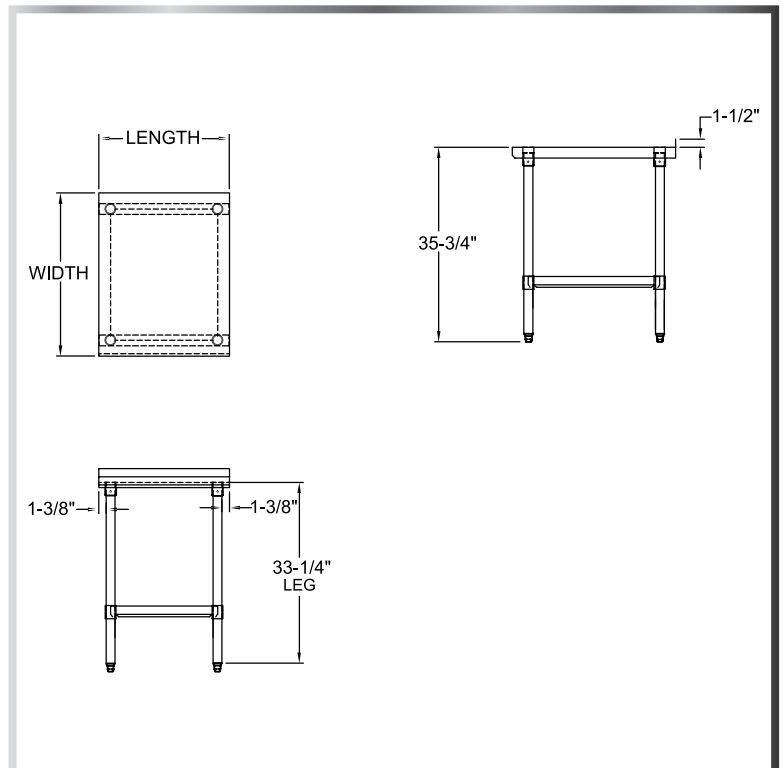


### MATERIALS

- 18 Gauge 430 Series Stainless Steel Top
- Galvanized Legs
- Plastic Bullet Feet

### FEATURES

- 1-1/2" Backsplash
- Straight Turndown Edges
- Adjustable Lower Shelf and Bullet Feet



MODEL NUMBER	LENGTH	WIDTH
TG-F1524	15"	24"
TG-F1530	15"	30"
TG-F1824	18"	24"
TG-F1830	18"	30"
TG-F2430	24"	30"

(609) 642 - 8389 | SALES@NBREQUIPMENT.COM | WWW.NBREQUIPMENT.COM

NBR EQUIPMENT, 10 ABEEL ROAD, CRANBURY, NJ 08512

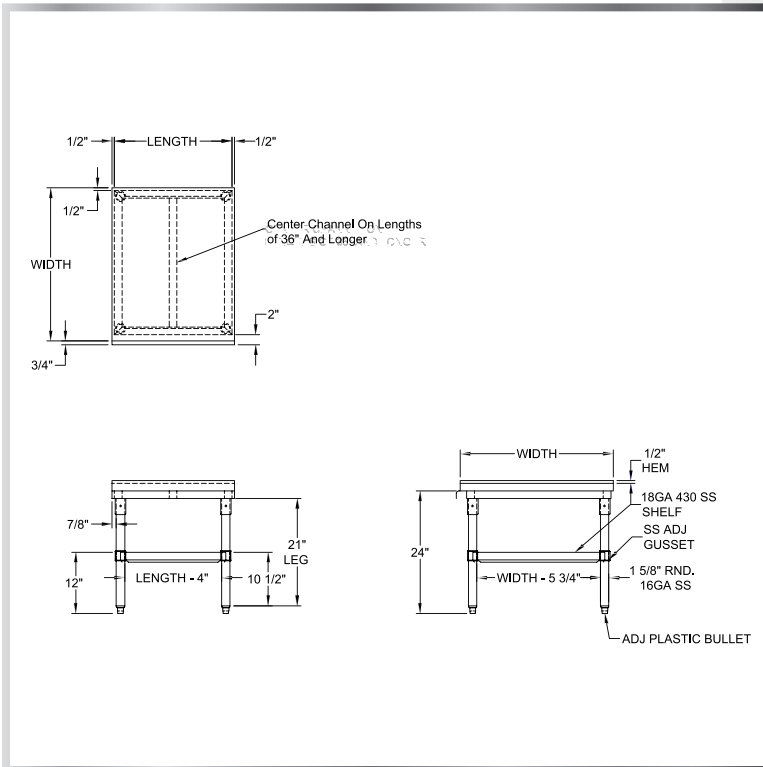
# PREMIUM EQUIPMENT STAND

## STANDS - EQUIPMENT



### MATERIALS

- 18 Gauge 430 Series Stainless Steel Top
  - Stainless Steel Lower Shelf
  - Stainless Steel Legs and Bullet Feet



### FEATURES

- 2" Turned Up Edge on Back and Sides
- Adjustable Lower Shelf and Bullet Feet
- \*ESS-7230 Has 6 Legs

**\*To Add Casters...See Page 125\***

MODEL NUMBER	LENGTH	WIDTH
ESS-1530	16"	30"
ESS-1830	19"	30"
ESS-2430	25"	30"
ESS-3630	37"	30"
ESS-4830	49"	30"
ESS-6030	61"	30"
ESS-7230*	73"	30"

(609) 642 - 8389 | SALES@NBREQUIPMENT.COM | WWW.NBREQUIPMENT.COM

NBR EQUIPMENT, 10 ABEEL ROAD, CRANBURY, NJ 08512



# ECONOMY EQUIPMENT STAND

## STANDS - EQUIPMENT



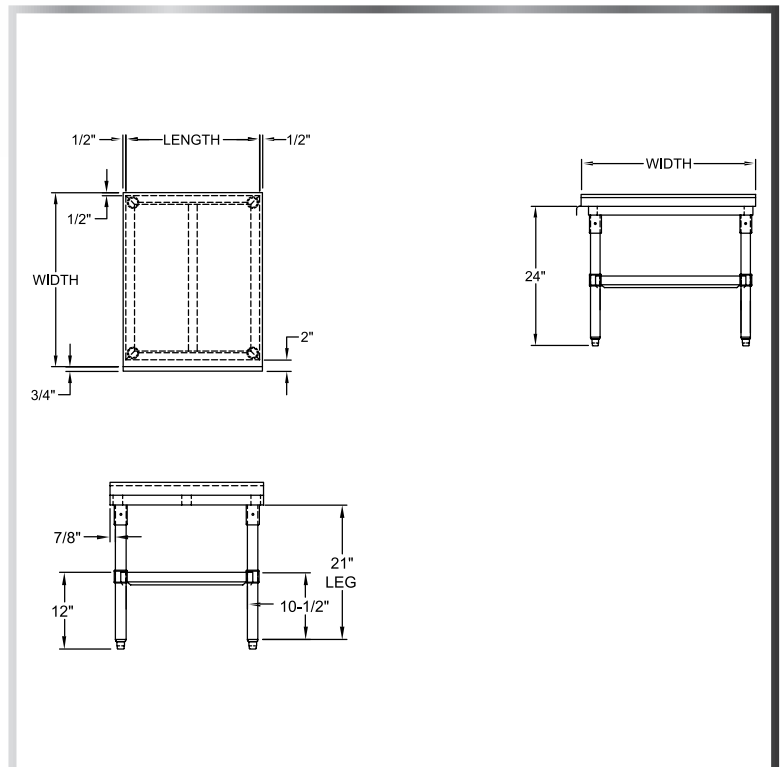
### MATERIALS

- 18 Gauge 430 Series Stainless Steel Top
- Galvanized Legs and Lower Shelf
- Plastic Bullet Feet

### FEATURES

- 2" Turned Up Edge on Back and Sides
- Adjustable Lower Shelf and Bullet Feet
  - \*ESG-7230 Has 6 Legs

**\*To Add Casters...See Page 125\***



MODEL NUMBER	LENGTH	WIDTH
ESG-1530	16"	30"
ESG-1830	19"	30"
ESG-2430	25"	30"
ESG-3630	37"	30"
ESG-4830	49"	30"
ESG-6030	61"	30"
ESG-7230*	73"	30"

(609) 642 - 8389 | SALES@NBREQUIPMENT.COM | WWW.NBREQUIPMENT.COM

NBR EQUIPMENT, 10 ABEEL ROAD, CRANBURY, NJ 08512

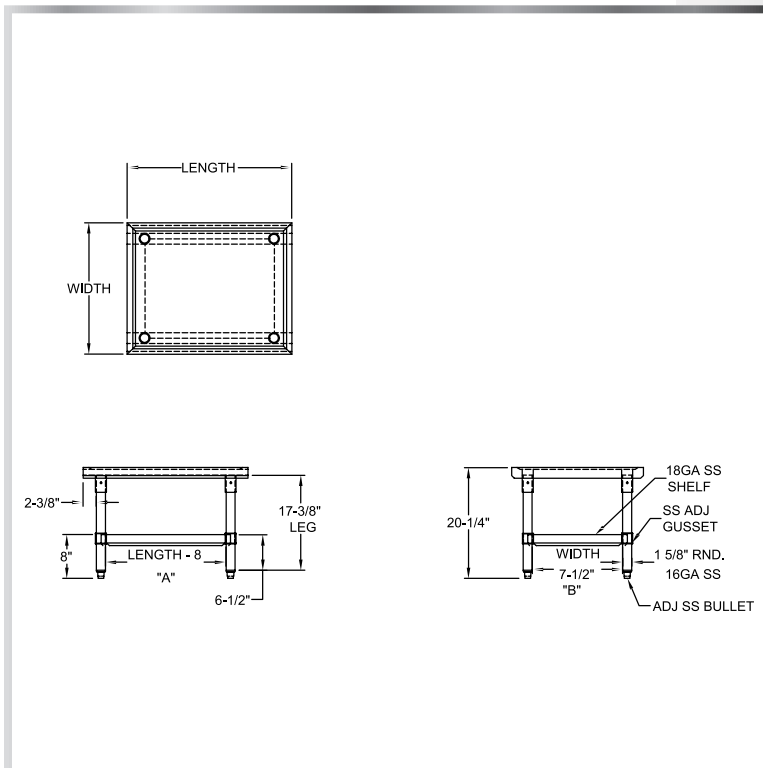
# PREMIUM MACHINE STAND

STANDS - MACHINE



## MATERIALS

- 14 Gauge 304 Stainless Steel Top
- Stainless Steel Lower Shelf, Legs, and Bullet Feet



## FEATURES

- Marine Edges
- Adjustable Lower Shelf and Bullet Feet
- Heavy Duty

**\*To Add Casters...See Page 125\***

MODEL NUMBER	LENGTH	WIDTH
MSS-2424	24"	24"
MSS-3024	30"	24"
MSS-3030	30"	30"
MSS-3630	36"	30"

(609) 642 - 8389 | SALES@NBREQUIPMENT.COM | WWW.NBREQUIPMENT.COM

NBR EQUIPMENT, 10 ABEEL ROAD, CRANBURY, NJ 08512

# ECONOMY MACHINE STAND

STANDS - MACHINE



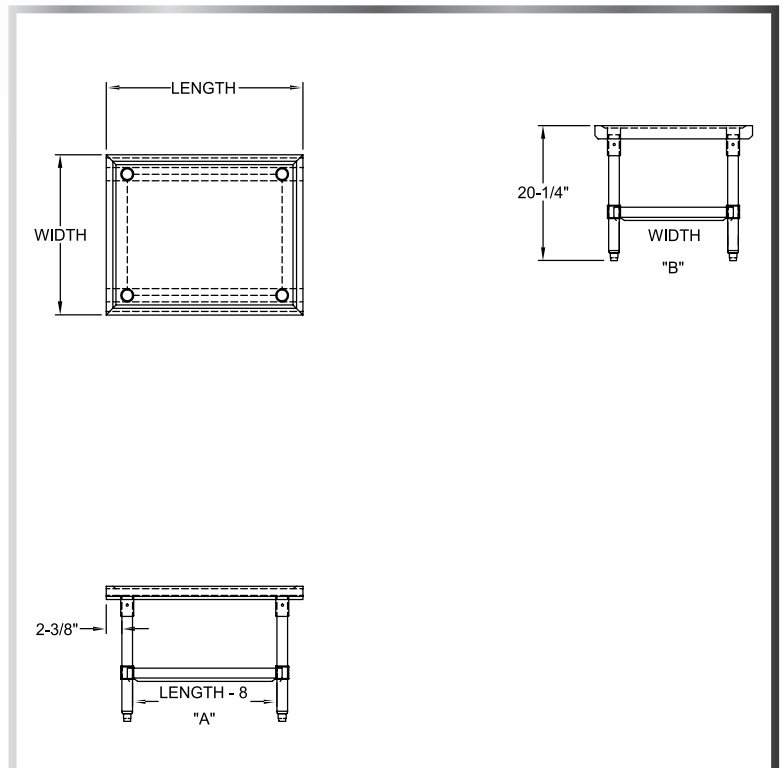
## MATERIALS

- 14 Gauge 304 Stainless Steel Top
- Galvanized Lower Shelf, Legs, and Bullet Feet

## FEATURES

- Marine Edges
- Adjustable Lower Shelf and Bullet Feet
- Heavy Duty

**\*To Add Casters...See Page 125\***



MODEL NUMBER	LENGTH	WIDTH
MSG-2424	24"	24"
MSG-3024	30"	24"
MSG-3030	30"	30"
MSG-3630	36"	30"

(609) 642 - 8389 | SALES@NBREQUIPMENT.COM | WWW.NBREQUIPMENT.COM

NBR EQUIPMENT, 10 ABEEL ROAD, CRANBURY, NJ 08512

# MIXER STAND

STANDS - MIXER



## MATERIALS

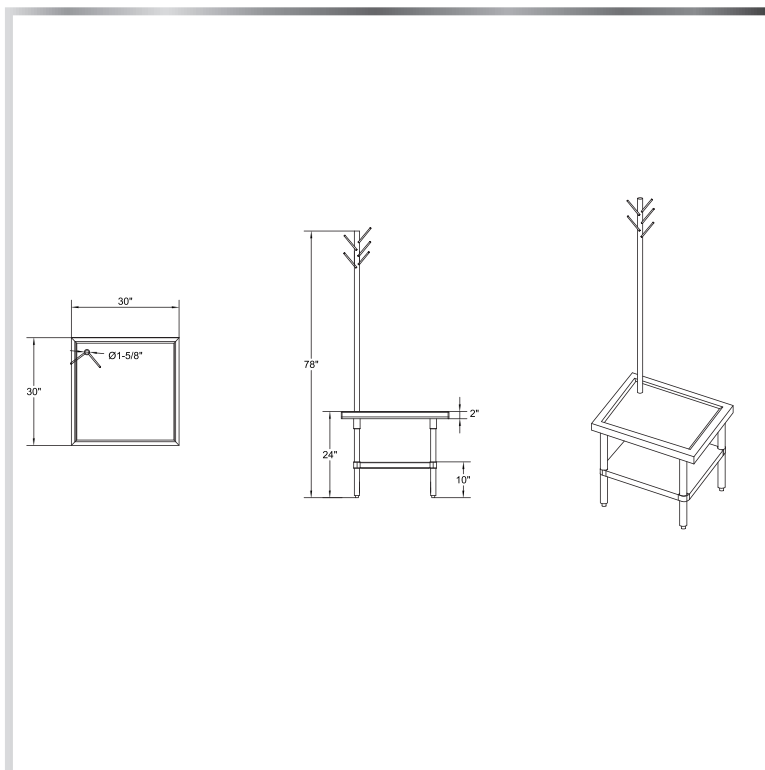
- 14 Gauge 304 Stainless Steel Top
- 18 Gauge 304 Stainless Steel Undershaft With Aluminum Corners
- Stainless Steel Cross-Bracing, Legs, and Bullet Feet



## FEATURES

- Marine Edges
- Adjustable Undershaft and Bullet Feet
- 78" High Stainless Steel Utensil Rack with Stainless Steel Hooks

**\*To Add Casters...See Page 125\***



**MODEL NUMBER**

**MSS-3030UR**

**LENGTH**

**30"**

**WIDTH**

**30"**

# HEAVY DUTY CORNER WORK CABINET WITH ENCLOSED BASE

CABINETS - CORNER

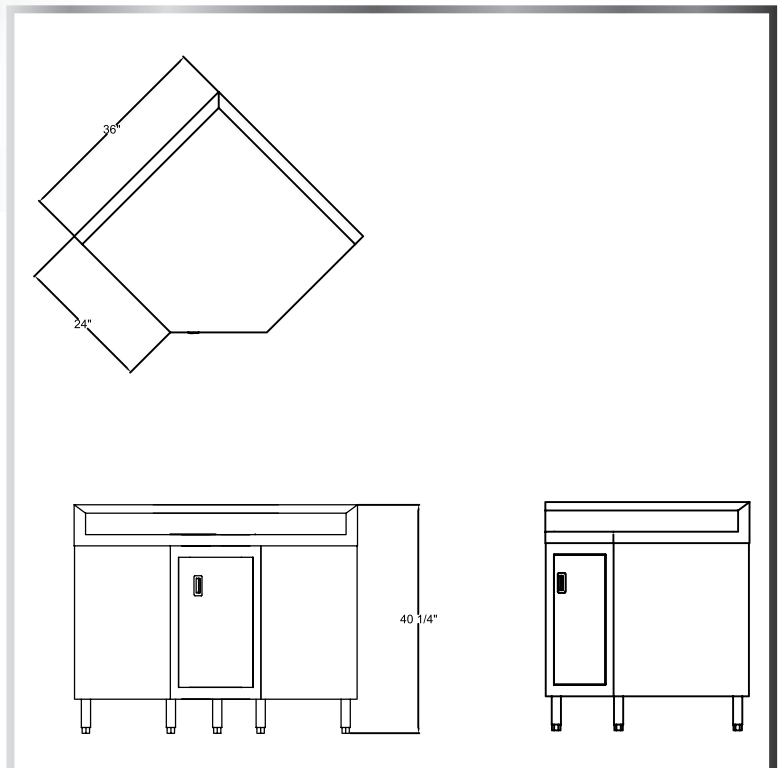


## MATERIALS

- 14 Gauge 304 Stainless Steel Top
- 18 Gauge 304 Stainless Steel Base
- Stainless Steel Middle Shelf, Legs, and Panels on Sides and Rear

## FEATURES

- 5" Backsplash
- Enclosed Cabinet Base
- Fully Welded and Assembled
- Adjustable Middle Shelf and Fixed Lower Shelf
- One Hinged Door
- Adjustable Legs



MODEL NUMBER	LENGTH	WIDTH
TCBC-3624R5	36"	24"
TCBC-4830R5	48"	30"

(609) 642 - 8389 | SALES@NBREQUIPMENT.COM | WWW.NBREQUIPMENT.COM

NBR EQUIPMENT, 10 ABEEL ROAD, CRANBURY, NJ 08512

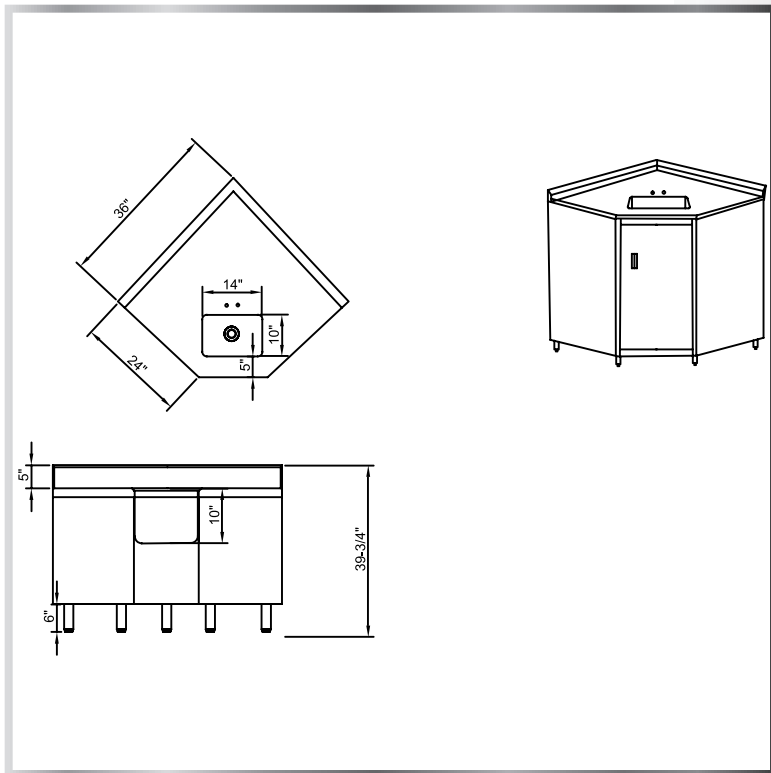
# CORNER CABINET WITH SINK

## CABINETS - CORNER



### MATERIALS

- 14 Gauge 304 Series Stainless Steel Top
- 18 Gauge 304 Series Stainless Steel Base
- Stainless Steel Legs and Panels on Sides and Rear



### FEATURES

- 14" x 10" x 10" Welded-In Sink Bowl
- Enclosed Cabinet Base
- Comes Fully Welded and Assembled
- One Hinged Door
- Adjustable Legs
- Drain Basket Included

Include a Faucet With Your Order!  
(See Pages 77-80)

MODEL NUMBER	BOWL SIZE L X W X H	LENGTH	WIDTH
TCBC-3624R5-1410	14" x 10" x 10"	36"	24"

# OPEN FRONT DISH CABINET

## CABINETS - DISH

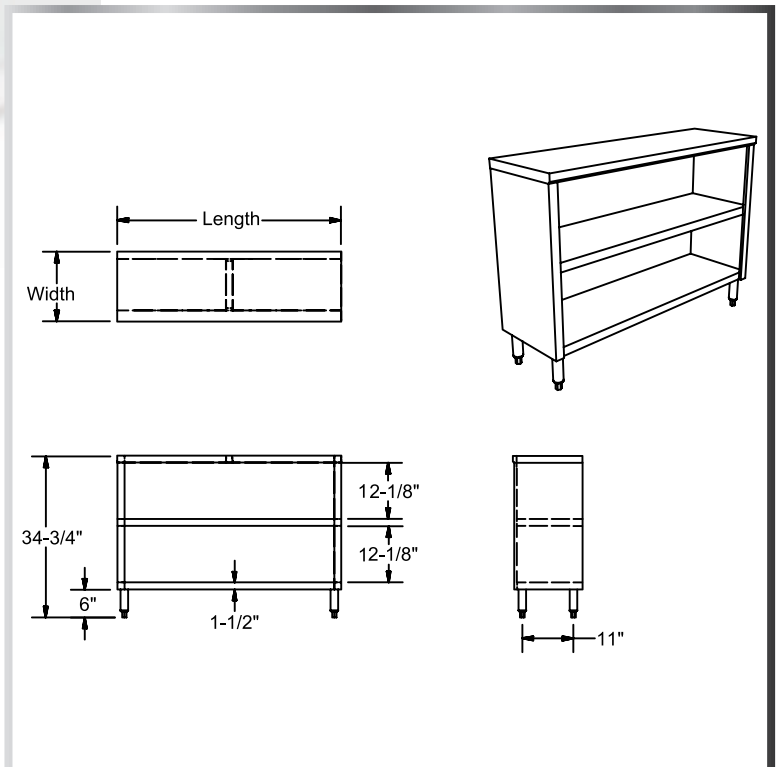


### MATERIALS

- 14 Gauge 304 Stainless Steel Top
- 18 Gauge Stainless Steel Base
- Stainless Steel Legs and Bullet Feet

### FEATURES

- Fixed Middle Shelf Position
- Adjustable Bullet Feet



MODEL NUMBER	LENGTH	WIDTH
DC-1536	36"	15"
DC-1548	48"	15"
DC-1560	60"	15"
DC-1572	72"	15"
DC-1836	36"	18"
DC-1848	48"	18"
DC-1860	60"	18"
DC-1872	72"	18"

(609) 642 - 8389 | SALES@NBREQUIPMENT.COM | WWW.NBREQUIPMENT.COM

NBR EQUIPMENT, 10 ABEEL ROAD, CRANBURY, NJ 08512



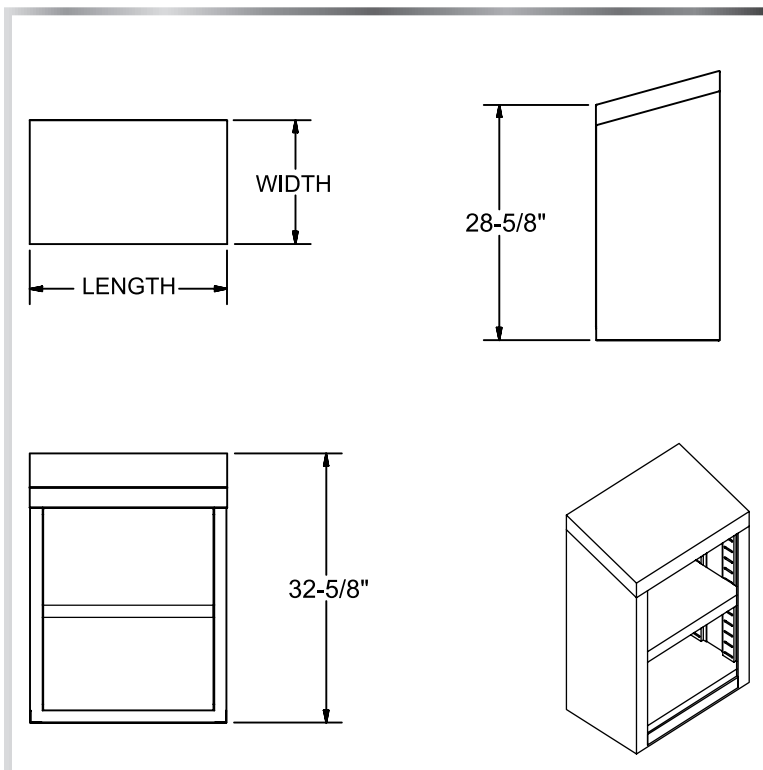
# WALL CABINET - OPEN FRONT

CABINETS - WALL



## MATERIALS

- 18 Gauge 304 Stainless Steel Construction



## FEATURES

- Easy Mount to Wall
- Adjustable Middle Shelf

MODEL NUMBER	LENGTH	WIDTH
WCO-1524	24"	15"
WCO-1530	30"	15"
WCO-1536	36"	15"
WCO-1548	48"	15"

# WALL CABINET WITH DOORS

CABINETS - WALL

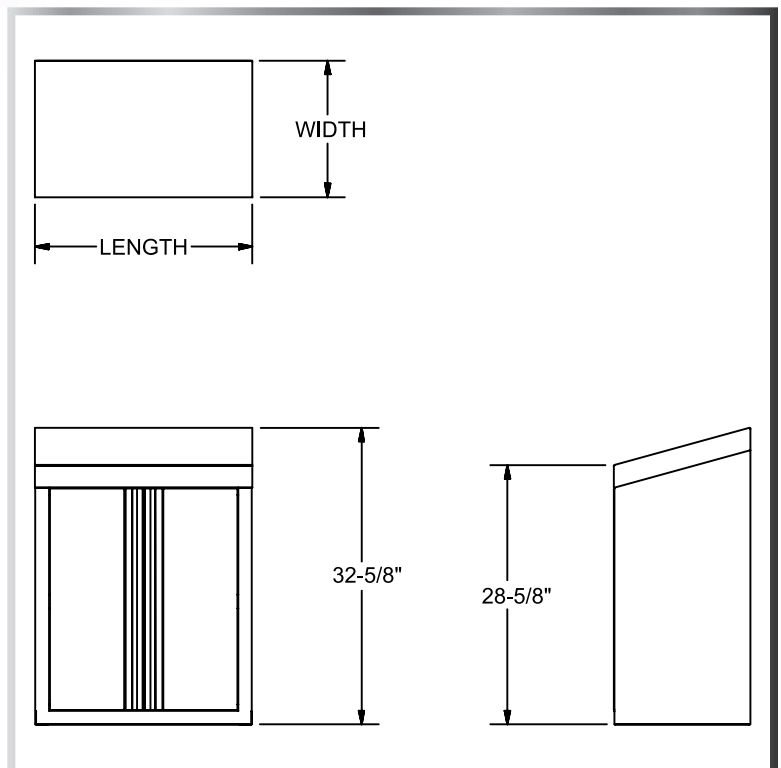


## MATERIALS

- 18 Gauge 304 Stainless Steel Construction

## FEATURES

- Easy Mount to Wall
- Adjustable Middle Shelf
- Two Solid Double-Pin Hinged Doors



MODEL NUMBER	LENGTH	WIDTH
WCH-1524	24"	15"
WCH-1530	30"	15"
WCH-1536	36"	15"
WCH-1548	48"	15"

(609) 642 - 8389 | SALES@NBREQUIPMENT.COM | WWW.NBREQUIPMENT.COM

NBR EQUIPMENT, 10 ABEEL ROAD, CRANBURY, NJ 08512

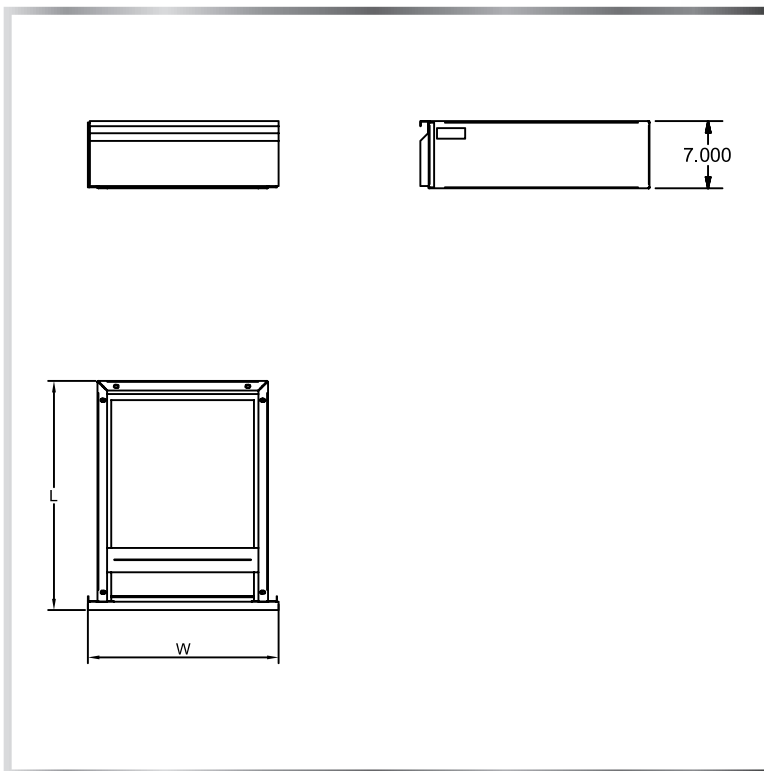
# SELF-CLOSING TABLE DRAWER & DRAWER PANS



WORKTABLES - ACCESSORIES

## MATERIALS

- 18 Gauge 304 Stainless Steel; Fabricated



## FEATURES

- 200 lbs. Capacity
- Universal Mounting Kit Included
- ADA Compliant
- Drawer Pan 5" Deep

**\*\*TDR-1820 and TDR-1820L Fit On 18" Wide Tables ONLY\*\***

MODEL NUMBER	LENGTH	WIDTH	LOCK
TDR-1820*	21"	21-7/8"	No Lock
TDR-1820L*	21"	21-7/8"	With Lock
TDR-2015	23"	17-7/8"	No Lock
TDR-2015L	23"	17-7/8"	With Lock
TDR-2020	23"	23-7/8"	No Lock
TDR-2020L	23"	23-7/8"	With Lock
PAN-2015	20"	15"	N/A
PAN-2020	20"	20"	N/A

(609) 642 - 8389 | SALES@NBREQUIPMENT.COM | WWW.NBREQUIPMENT.COM

NBR EQUIPMENT, 10 ABEEL ROAD, CRANBURY, NJ 08512

# TABLE ACCESSORIES



<b>MODEL NUMBER</b>	FT-RSP	FT-RP	FT-RSF	FT-RSFH	LS-G
<b>NAME</b>	Adjustable Bullet Foot	Adjustable Bullet Foot	Adjustable Round Flange Foot	Adjustable Round Flange Foot	Leg Socket
<b>SIZE</b>	1-5/8"	1-5/8"	1-5/8"	1-5/8"	1-5/8"
<b>DESCRIPTION</b>	Round and Adjustable	Round and Adjustable	Round and Adjustable	Round and Adjustable	Round
<b>MATERIAL</b>	Stainless Steel/Plastic	Plastic	Stainless Steel	Stainless Steel	Galvanized Steel
<b>PLATE</b>	No Plate	No Plate	With Plate (0 Holes)	With Plate (2 Holes)	No Plate



<b>MODEL NUMBER</b>	LS-GP	LS-S	LS-SP	LS-1	LSM-S
<b>NAME</b>	Leg Socket	Leg Socket	Leg Socket	Leg With Plate	Mini Leg Socket
<b>SIZE</b>	1-5/8"	1-5/8"	1-5/8"	1-5/8" x 6"	Fits 1-5/8" Tubing
<b>DESCRIPTION</b>	Square	Round	Square	Square	Double-Bevelled Gusset
<b>MATERIAL</b>	Galvanized Steel	Stainless Steel	Stainless Steel	Stainless Steel	Stainless Steel
<b>PLATE</b>	With Plate (4 Holes)	No Plate	With Plate (4 Holes)	With Plate (4 Holes)	No Plate



<b>MODEL NUMBER</b>	3TP-5-PU-B	3TP-5-PU-B-TLB	ES-5-PU-B	ES-5-PU-B-TLB	SD-1
<b>NAME</b>	Caster With Top Plate	Caster With Top Plate & Brake	Caster With Adjustable Stem	Caster With Adj Stem & Brake	Soap Dispenser
<b>SIZE</b>	6"H	6"H	6"H	6"H	Fits In 1" Hole
<b>DESCRIPTION</b>	2-3/8" x 3-5/8" Plate, 1-1/4"W Wheel, 5" Diameter	2-3/8" x 3-5/8" Plate, 1-1/4"W Wheel, 5" Diameter	1-1/4"W Wheel, 5" Diameter, Ball Bearing	1-1/4"W Wheel, 5" Diameter, Ball Bearing	

# TABLE ACCESSORIES



MODEL NUMBER	CASTER LEG SETS
LC-G4	Casters, 5" Set of 4, Two With Brakes Two Without, with Galvanized Legs for Overall Height of 35-1/2" Standard Table
LC-G6	Casters, 5" Set of 6, Two With Brakes Four Without, with Galvanized Legs for Overall Height of 35-1/2" Standard Table
LC-S4	Casters, 5" Set of 4, Two With Brakes Two Without, with Stainless Steel Legs for Overall Height of 35-1/2" Standard Table
LC-S6	Casters, 5" Set of 6, Two With Brakes Four Without, with Stainless Steel Legs for Overall Height of 35-1/2" Standard Table

*\*See Details on Page 136*



MODEL NUMBER	LC-S	LC-G	FT-RS	FT-RG	*PR-T24
NAME	Stainless Steel Caster Leg	Galvanized Caster Leg	Adjustable Bullet Foot	Adjustable Bullet Foot	Pot Rack & Utensil Bar
SIZE	1-5/8"D, 28-3/4"L	1-5/8"D, 28-3/4"L	1-5/8"	1-5/8"	Fits 24" Tables
MATERIAL	Stainless Steel	Galvanized Steel	Stainless Steel	Galvanized Steel	Stainless Steel



MODEL NUMBER	HK1	HK2	BR-1	BR-2	BR-3
NAME	Single Prong Hook For Pot Racks	Double Prong Hook For Pot Racks	End Cross-Brace Fitting	Corner Cross-Brace Fitting	Center Cross-Brace Fitting
SIZE	1/4" Rod	1/4" Rod	1-1/4" Bracing	1-1/4" Bracing	1-1/4" Bracing
MATERIAL	Stainless Steel	Stainless Steel	Aluminum	Aluminum	Aluminum

## CROSS-BRACE SETS & WORKTABLE LEGS



MODEL NUMBER	LT-S	LT-G	LT-S4	LT-G4
NAME	Stainless Steel Worktable Leg	Galvanized Steel Worktable Leg	Stainless Steel Worktable Legs Set	Galvanized Steel Worktable Legs Set
SIZE	1-5/8"D, 33-1/4"L	1-5/8"D, 33-1/4"L	(4) 1-5/8"D, 33-1/4"L	(4) 1-5/8"D, 33-1/4"L
MATERIAL	Stainless Steel	Galvanized Steel	Stainless Steel	Galvanized Steel



MODEL NUMBER	DESCRIPTION
CRG-2424	Galvanized, (3) CBSRG-24, (2) BR-1 (2) BR-2, Fits 24" X 24" Worktables
CRG-2430	Galvanized, (2) CBSRG-24, (1) CBBRG-30, (2) BR-1 (2) BR-2, Fits 30" X 24" Worktables
CRG-2436	Galvanized, (2) CBSRG-24, (1) CBBRG-36, (2) BR-1 (2) BR-2, Fits 36" X 24" Worktables
CRG-2448	Galvanized, (2) CBSRG-24, (1) CBBRG-48, (2) BR-1 (2) BR-2, Fits 48" X 24" Worktables
CRG-2460	Galvanized, (2) CBSRG-24, (1) CBBRG-60, (2) BR-1 (2) BR-2, Fits 60" X 24" Worktables
CRG-2472	Galvanized, (2) CBSRG-24, (1) CBBRG-72, (2) BR-1 (2) BR-2, Fits 72" X 24" Worktables
CRG-2484	Galvanized, (3) CBSRG-24, (2) CBBRG-84, (3) BR-1, (2) BR-2 & (1) BR-3, Fits 84" X 24" Worktables
CRG-2496	Galvanized, (3) CBSRG-24, (2) CBBRG-96, (3) BR-1, (2) BR-2 & (1) BR-3, Fits 96" X 24" Worktables
CRG-3030	Galvanized, (2) CBSRG-30, (1) CBBRG-30, (2) BR-1 (2) BR-2, Fits 30" X 30" Worktables
CRG-3036	Galvanized, (2) CBSRG-30, (1) CBBRG-36, (2) BR-1 (2) BR-2, Fits 36" X 30" Worktables
CRG-3048	Galvanized, (2) CBSRG-30, (1) CBBRG-48, (2) BR-1 (2) BR-2, Fits 48" X 30" Worktables
CRG-3060	Galvanized, (2) CBSRG-30, (1) CBBRG-60, (2) BR-1 (2) BR-2, Fits 60" X 30" Worktables
CRG-3072	Galvanized, (2) CBSRG-30, (1) CBBRG-72, (2) BR-1 (2) BR-2, Fits 72" X 30" Worktables
CRG-3084	Galvanized, (3) CBSRG-30, (2) CBBRG-84, (3) BR-1, (2) BR-2 & (1) BR-3, Fits 84" X 30" Worktables
CRG-3096	Galvanized, (3) CBSRG-30, (2) CBBRG-96, (3) BR-1, (2) BR-2 & (1) BR-3, Fits 96" X 30" Worktables
CRS-2424	Stainless, (3) CBSRS-24, (2) BR-1 (2) BR-2, Fits 24" X 24" Worktables
CRS-2430	Stainless, (2) CBSRS-24, (1) CBBRS-30, (2) BR-1 (2) BR-2, Fits 30" X 24" Worktables
CRS-2436	Stainless, (2) CBSRS-24, (1) CBBRS-36, (2) BR-1 (2) BR-2, Fits 36" X 24" Worktables
CRS-2448	Stainless, (2) CBSRS-24, (1) CBBRS-48, (2) BR-1 (2) BR-2, Fits 48" X 24" Worktables
CRS-2460	Stainless, (2) CBSRS-24, (1) CBBRS-60, (2) BR-1 (2) BR-2, Fits 60" X 24" Worktables
CRS-2472	Stainless, (2) CBSRS-24, (1) CBBRS-72, (2) BR-1 (2) BR-2, Fits 72" X 24" Worktables
CRS-2484	Stainless, (3) CBSRS-24, (2) CBBRS-84, (3) BR-1, (2) BR-2 & (1) BR-3, Fits 84" X 24" Worktables
CRS-2496	Stainless, (3) CBSRS-24, (2) CBBRS-96, (3) BR-1, (2) BR-2 & (1) BR-3, Fits 96" X 24" Worktables
CRS-3030	Stainless, (2) CBSRS-30, (1) CBBRS-30, (2) BR-1 (2) BR-2, Fits 30" X 30" Worktables
CRS-3036	Stainless, (2) CBSRS-30, (1) CBBRS-36, (2) BR-1 (2) BR-2, Fits 36" X 30" Worktables
CRS-3048	Stainless, (2) CBSRS-30, (1) CBBRS-48, (2) BR-1 (2) BR-2, Fits 48" X 30" Worktables
CRS-3060	Stainless, (2) CBSRS-30, (1) CBBRS-60, (2) BR-1 (2) BR-2, Fits 60" X 30" Worktables
CRS-3072	Stainless, (2) CBSRS-30, (1) CBBRS-72, (2) BR-1 (2) BR-2, Fits 72" X 30" Worktables
CRS-3084	Stainless, (3) CBSRS-30, (2) CBBRS-84, (3) BR-1, (2) BR-2 & (1) BR-3, Fits 84" X 30" Worktables
CRS-3096	Stainless, (3) CBSRS-30, (2) CBBRS-96, (3) BR-1, (2) BR-2 & (1) BR-3, Fits 96" X 30" Worktables
CRS-3648	Stainless, (2) CBSRS-36, (1) CBBRS-48, (2) BR-1 (2) BR-2, Fits 48" X 36" Worktables
CRS-3660	Stainless, (2) CBSRS-36, (1) CBBRS-60, (2) BR-1 (2) BR-2, Fits 60" X 36" Worktables
CRS-3672	Stainless, (2) CBSRS-36, (1) CBBRS-72, (2) BR-1 (2) BR-2, Fits 72" X 36" Worktables

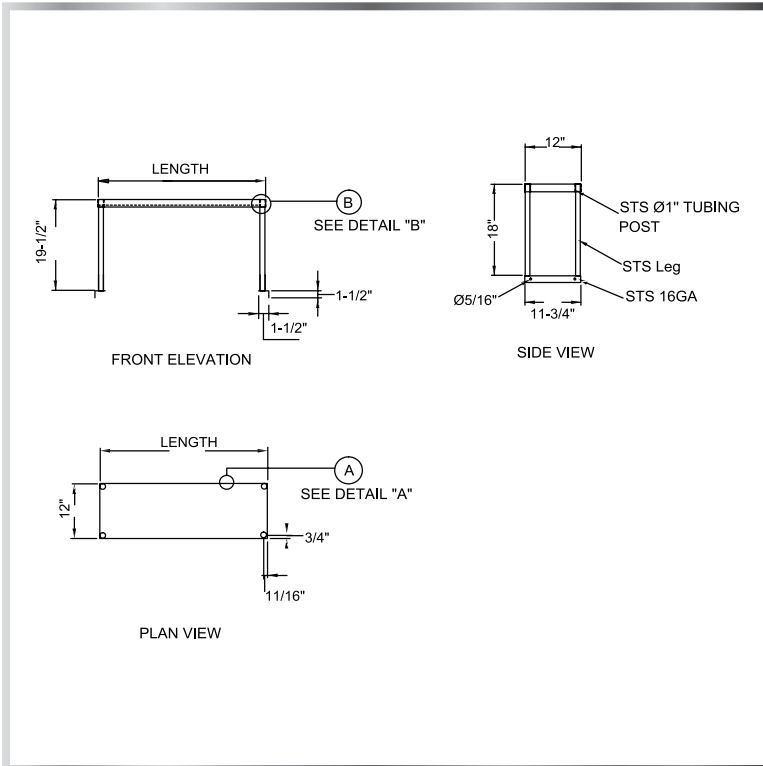
# SINGLE RACK OVER SHELF FOR REFRIGERATED UNITS



## SHELVING - REFRIGERATION

### MATERIALS

- 18 Gauge 304 Stainless Steel



### FEATURES

- One Fixed Rack
- Square Turndown Edges
- Custom Refrigerator Counter Mounting Brackets Included

MODEL NUMBER	LENGTH	WIDTH
PSMS-1248S	48"	12"
PSMS-1260S	60"	12"
PSMS-1272S	72"	12"
PSMS-1848S	48"	18"
PSMS-1860S	60"	18"
PSMS-1872S	72"	18"

(609) 642 - 8389 | SALES@NBREQUIPMENT.COM | WWW.NBREQUIPMENT.COM

NBR EQUIPMENT, 10 ABEEL ROAD, CRANBURY, NJ 08512



# DOUBLE RACK OVER SHELF FOR REFRIGERATED UNITS

SHELVING - REFRIGERATION

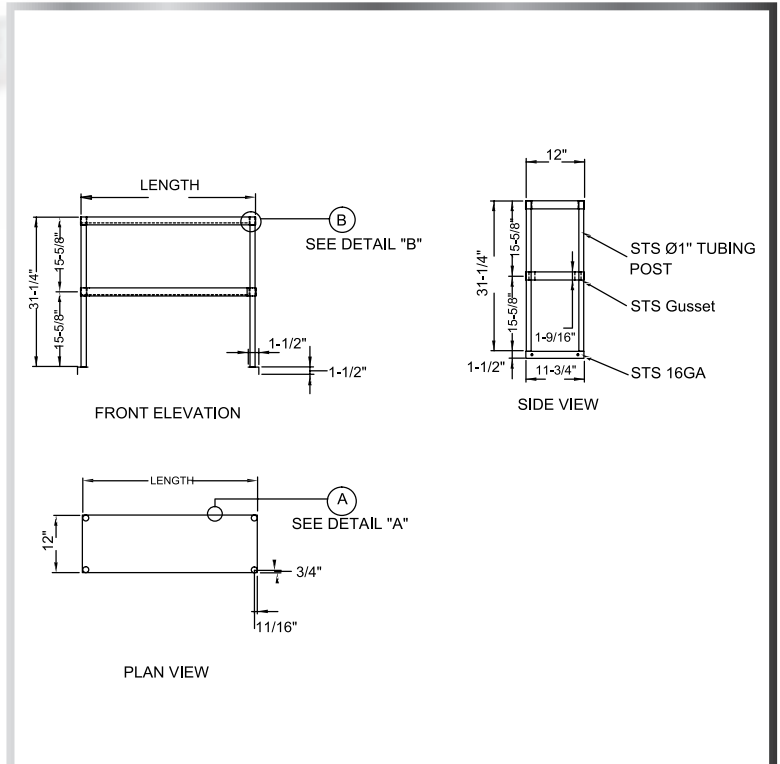


## MATERIALS

- 18 Gauge 304 Stainless Steel

## FEATURES

- Two Racks (1 Fixed, 1 Adjustable)
  - Square Turndown Edges
  - Custom Refrigerator Counter Mounting Brackets Included



MODEL NUMBER	LENGTH	WIDTH
PSMS-1248D	48"	12"
PSMS-1260D	60"	12"
PSMS-1272D	72"	12"
PSMS-1848D	48"	18"
PSMS-1860D	60"	18"
PSMS-1872D	72"	18"

(609) 642 - 8389 | SALES@NBREQUIPMENT.COM | WWW.NBREQUIPMENT.COM

NBR EQUIPMENT, 10 ABEEL ROAD, CRANBURY, NJ 08512

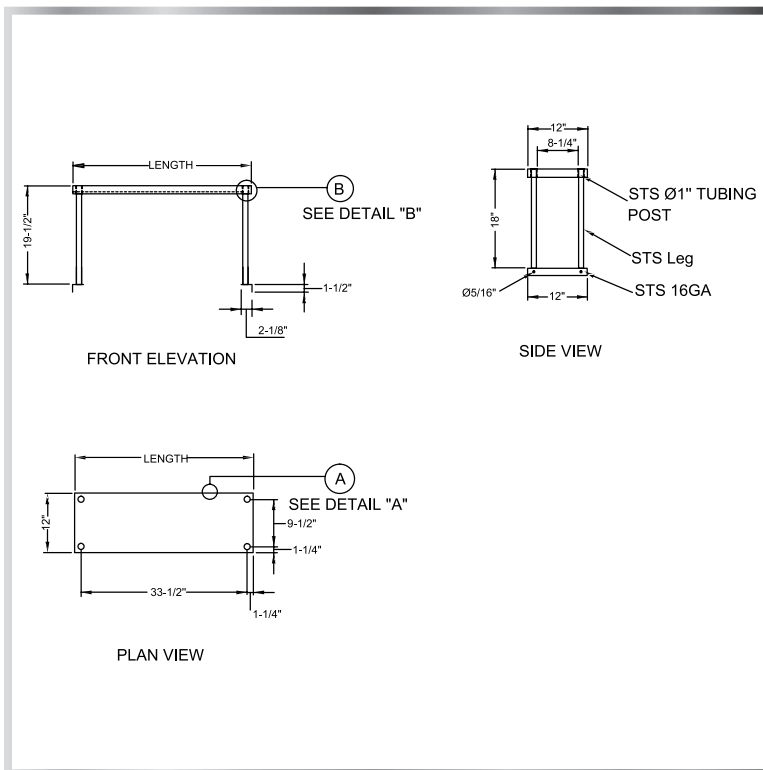
# SINGLE RACK TABLE MOUNTED OVER SHELF



## SHELVING - TABLE

### MATERIALS

- 18 Gauge 304 Stainless Steel



### FEATURES

- Includes Single Rack
- Square Turndown Edges

MODEL NUMBER	LENGTH	WIDTH
TMS-1236S	36"	12"
TMS-1248S	48"	12"
TMS-1260S	60"	12"
TMS-1272S	72"	12"
TMS-1296S	96"	12"

MODEL NUMBER	LENGTH	WIDTH
TMS-1836S	36"	18"
TMS-1848S	48"	18"
TMS-1860S	60"	18"
TMS-1872S	72"	18"
TMS-1896S	96"	18"

(609) 642 - 8389 | SALES@NBREQUIPMENT.COM | WWW.NBREQUIPMENT.COM

NBR EQUIPMENT, 10 ABEEL ROAD, CRANBURY, NJ 08512

# DOUBLE RACK TABLE MOUNTED OVER SHELF

## SHELVING - TABLE

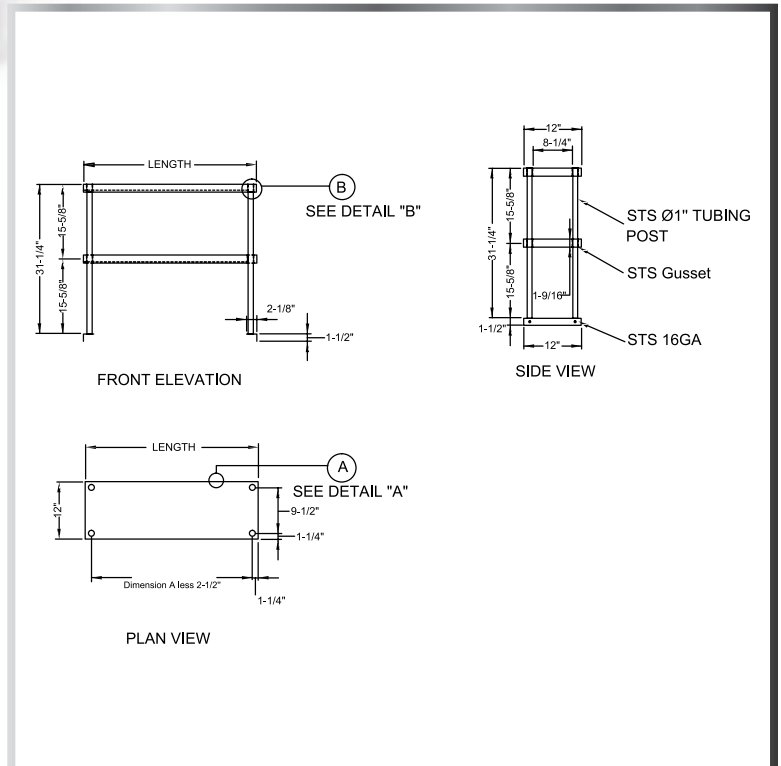


## MATERIALS

- 18 Gauge 304 Stainless Steel

## FEATURES

- Two Racks (1 Fixed, 1 Adjustable)
  - Square Turndown Edges



MODEL NUMBER	LENGTH	WIDTH
TMS-1236D	36"	12"
TMS-1248D	48"	12"
TMS-1260D	60"	12"
TMS-1272D	72"	12"
TMS-1296D	96"	12"

MODEL NUMBER	LENGTH	WIDTH
TMS-1836D	36"	18"
TMS-1848D	48"	18"
TMS-1860D	60"	18"
TMS-1872D	72"	18"
TMS-1896D	96"	18"

(609) 642 - 8389 | SALES@NBREQUIPMENT.COM | WWW.NBREQUIPMENT.COM

NBR EQUIPMENT, 10 ABEEL ROAD, CRANBURY, NJ 08512

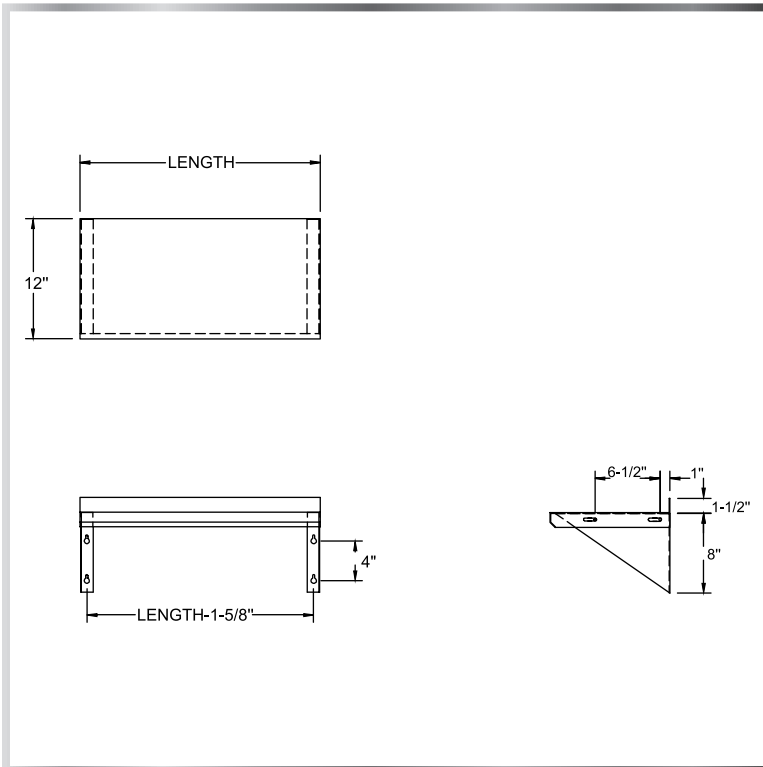
# PREMIUM WALL SHELF

SHELVING - WALL



## MATERIALS

- 18 Gauge 304 Stainless Steel



## FEATURES

- 1-1/2" Backsplash
- Straight Safety Edge Front
- Includes Support Brackets and Mounting Kit (\* 3 Brackets For Lengths 72" and Above)

MODEL NUMBER	LENGTH	WIDTH
WS-1224	24"	12"
WS-1230	30"	12"
WS-1236	36"	12"
WS-1248	48"	12"
WS-1260	60"	12"
WS-1272*	72"	12"
WS-1284*	84"	12"
WS-1296*	96"	12"

MODEL NUMBER	LENGTH	WIDTH
WS-1624	24"	16"
WS-1630	30"	16"
WS-1636	36"	16"
WS-1648	48"	16"
WS-1660	60"	16"
WS-1672*	72"	16"
WS-1684*	84"	16"
WS-1696*	96"	16"

(609) 642 - 8389 | SALES@NBREQUIPMENT.COM | WWW.NBREQUIPMENT.COM

NBR EQUIPMENT, 10 ABEEL ROAD, CRANBURY, NJ 08512

# ECONOMY WALL SHELF

SHELVING - WALL



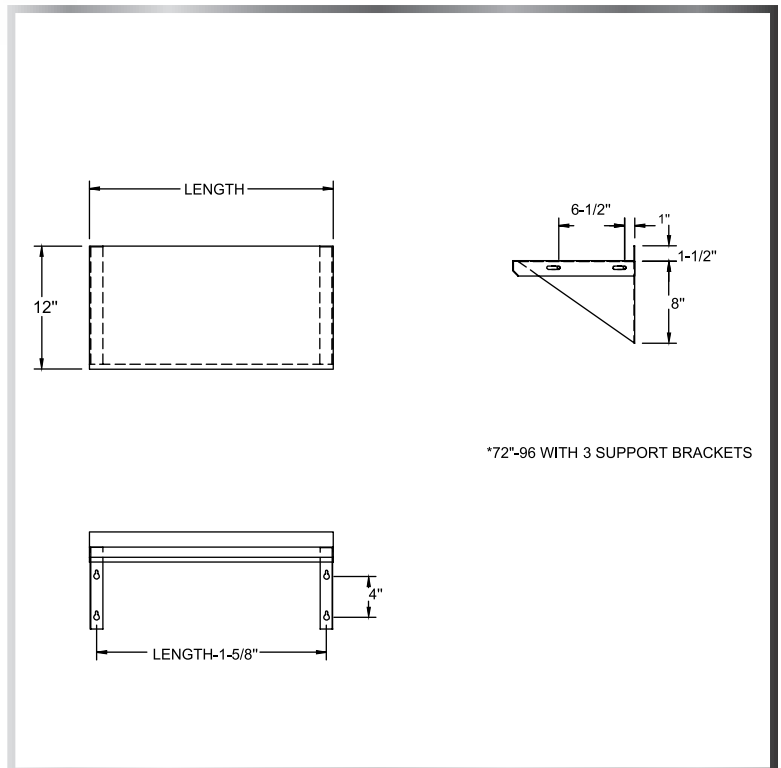
## MATERIALS

- 18 Gauge 430 Series Stainless Steel



## FEATURES

- 1-1/2" Backsplash
- Straight Safety Edge Front
- Includes Support Brackets and Mounting Kit (\* 3 Brackets For Lengths 72" and Above)



MODEL NUMBER	LENGTH	WIDTH
WS-1224E	24"	12"
WS-1236E	36"	12"
WS-1248E	48"	12"
WS-1260E	60"	12"
WS-1272E*	72"	12"
WS-1284E*	84"	12"
WS-1296E*	96"	12"

MODEL NUMBER	LENGTH	WIDTH
WS-1624E	24"	16"
WS-1636E	36"	16"
WS-1648E	48"	16"
WS-1660E	60"	16"
WS-1672E*	72"	16"
WS-1684E*	84"	16"
WS-1696E*	96"	16"

(609) 642 - 8389 | SALES@NBREQUIPMENT.COM | WWW.NBREQUIPMENT.COM

NBR EQUIPMENT, 10 ABEEL ROAD, CRANBURY, NJ 08512

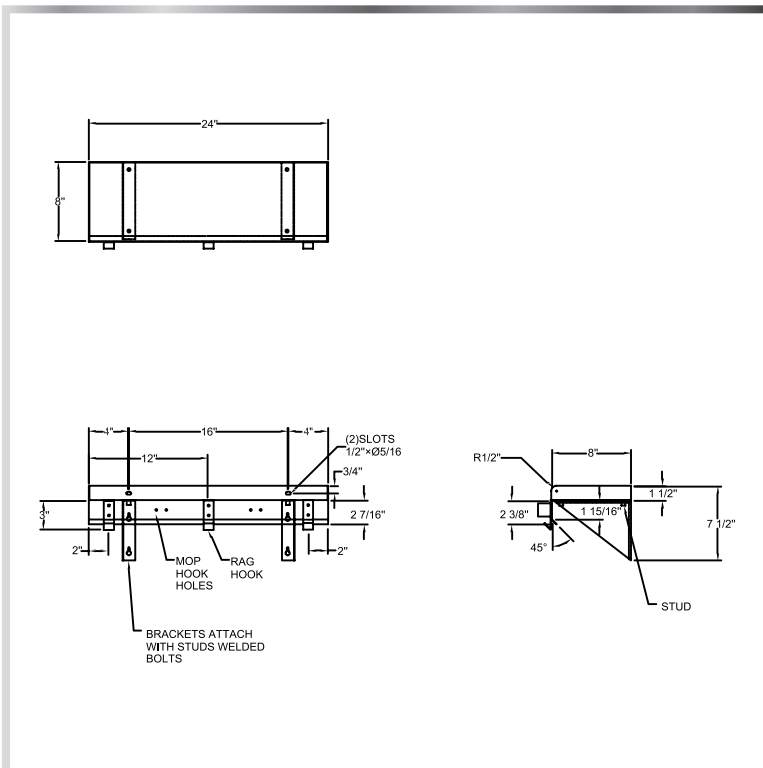
# OPEN-BACK UTILITY SHELF

SHELVING - WALL



## MATERIALS

- 18 Gauge 304 Stainless Steel



## FEATURES

- Two Mop Hooks and Three Rag Hooks Mounted on Front
- Includes Mounting Kit

**MODEL NUMBER**

**WS-US**

**LENGTH**

**24"**

**WIDTH**

**8"**

(609) 642 - 8389 | SALES@NBREQUIPMENT.COM | WWW.NBREQUIPMENT.COM

NBR EQUIPMENT, 10 ABEEL ROAD, CRANBURY, NJ 08512

# LAVATORY SHELF

SHELVING - WALL



**WS-XXLS**



**WS-XXLSR**

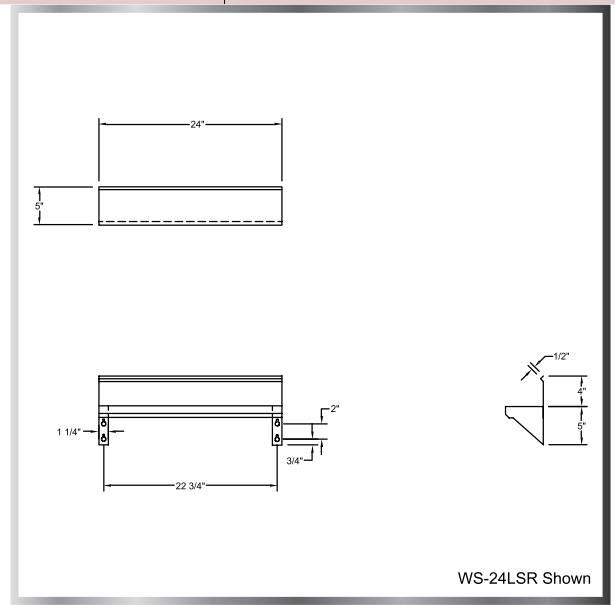
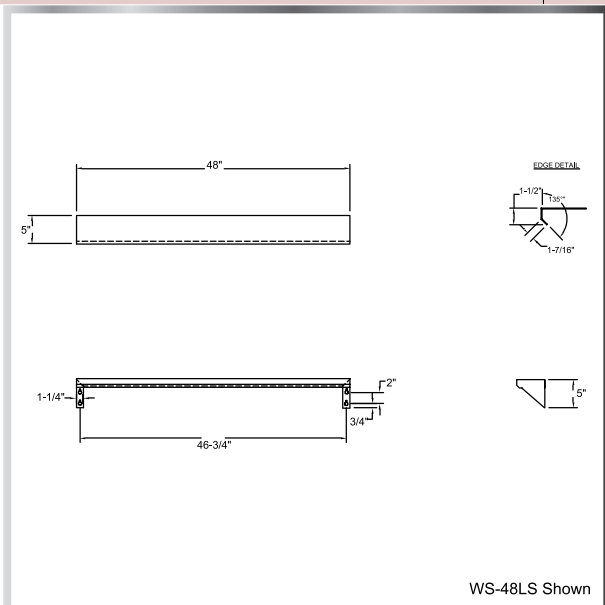
## MATERIALS

- 16 Gauge 304 Stainless Steel

## FEATURES

- 4" Backsplash (WS-XXLSR)
- Includes Brackets and Mounting Kit

MODEL NUMBER	LENGTH	WIDTH
WS-16LSR	16"	5"
WS-18LSR	18"	5"
WS-24LSR	24"	5"
WS-36LSR	36"	5"
WS-48LSR	48"	5"
WS-16LS	16"	5"
WS-18LS	18"	5"
WS-24LS	24"	5"
WS-36LS	36"	5"
WS-48LS	48"	5"





# WALL SHELF WITH POT RACK BAR AND TABLE-MOUNTED POT RACK

SHELVING - WALL

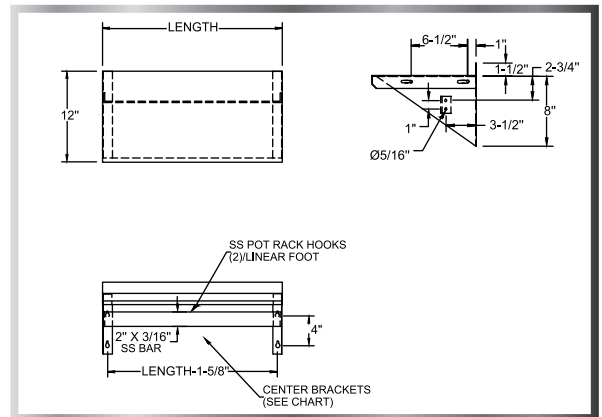


## FEATURES

- 1-1/2" Backsplash
- Includes 1 Mounting Hook Per Foot In Length
- Straight Safety Edge Front

## MATERIALS

- 18 Gauge 304 Stainless Steel
- Stainless Steel Pot Rack Bar and Hooks



MODEL NUMBER	LENGTH	WIDTH	NUMBER OF HOOKS
PS-1224	24"	12"	4
PS-1236	36"	12"	6
PS-1248	48"	12"	8
PS-1260	60"	12"	10
PS-1272	72"	12"	12



## FEATURES

- Includes 6 Double Prong Hooks
- Fits Front to Back Between Table Legs

MODEL #	FITS TABLE WIDTH
PR-T24	24"
PR-T30	30"
PR-T36	36"

## MATERIALS

- 304 Stainless Steel
- Stainless Steel Bar Welded to Gussets



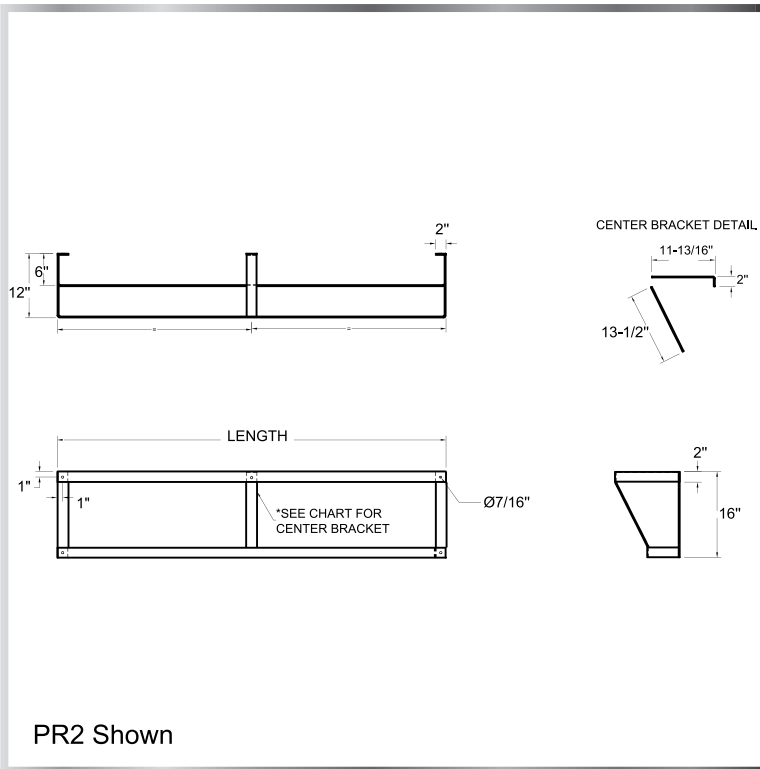
# FLAT BAR POT RACK (SINGLE & DOUBLE BAR)



## POT RACKS

### MATERIALS

- 304 Stainless Steel



### FEATURES

- Wall Mounted 2" Flat Bars
- Includes Stainless Steel Double Prong Hooks
- 12"D Top Bar (For Double)
- 6"D Bottom Bar (For Double)
- \* Center Bracket For Lengths 72" and Above

MODEL NUMBER	LENGTH	WIDTH	NUMBER OF HOOKS
PR1-4	48"	12"	4
PR1-5	60"	12"	5
PR1-6	72"	12"	6
PR1-8	96"	12"	8
PR2-3	36"	12"	6
PR2-4	48"	12"	8
PR2-5	60"	12"	10
PR2-6*	72"	12"	12
PR2-8*	96"	12"	16

(609) 642 - 8389 | SALES@NBREQUIPMENT.COM | WWW.NBREQUIPMENT.COM

NBR EQUIPMENT, 10 ABEEL ROAD, CRANBURY, NJ 08512

# CEILING MOUNTED POT RACK

## POT RACKS

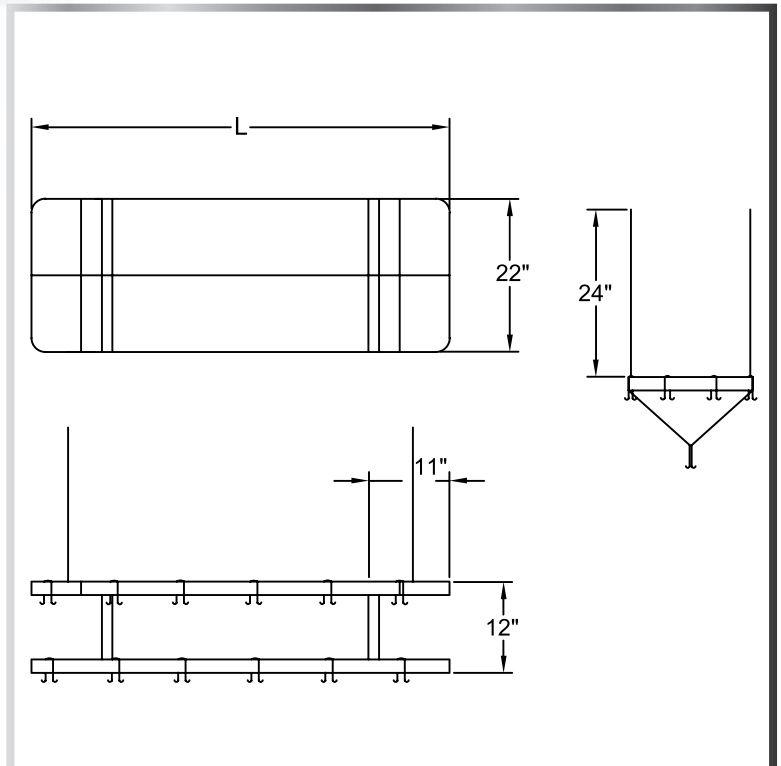


## MATERIALS

- 304 Stainless Steel 2" x 1/4" Flat Bar
- 24" Stainless Steel Hanging Chains

## FEATURES

- Triple Bar Design
- Includes Double Prong Stainless Steel Hooks
- All Units Shipped Knocked Down (Easy Assembly)



MODEL NUMBER	LENGTH	WIDTH	NUMBER OF HOOKS
CMPR-36	36"	22"	12
CMPR-48	48"	22"	12
CMPR-60	60"	22"	18
CMPR-72	72"	22"	18
CMPR-96	96"	22"	18

(609) 642 - 8389 | SALES@NBREQUIPMENT.COM | WWW.NBREQUIPMENT.COM

NBR EQUIPMENT, 10 ABEEL ROAD, CRANBURY, NJ 08512

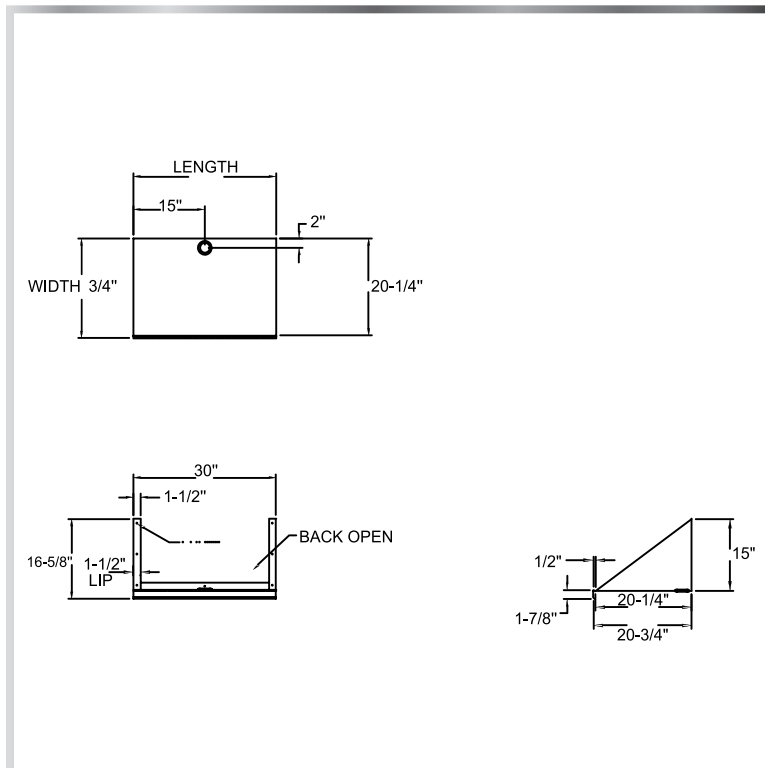
# OPEN-BACK MICROWAVE SHELF

## SHELVING - MICROWAVE



### MATERIALS

- 18 Gauge 304 Stainless Steel



### FEATURES

- Solid Base Wall Mounted Shelf
- 1-1/2" Mounting Back Lip
- 15" Angle Supports
- One Hole With Grommet for Appliance Cord
- Includes Mounting Kit

MODEL NUMBER	LENGTH	WIDTH
MWS-1824	24"	18"
MWS-2024	24"	20"
MWS-2424	24"	24"
MWS-2030	30"	20"

(609) 642 - 8389 | SALES@NBREQUIPMENT.COM | WWW.NBREQUIPMENT.COM

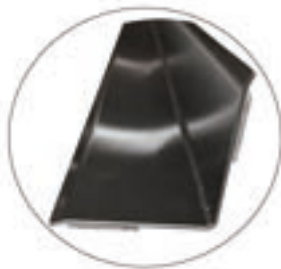
NBR EQUIPMENT, 10 ABEEL ROAD, CRANBURY, NJ 08512

# CORNER GUARDS

SHELVING - CORNER GUARDS



**CGO-XX**



**CGI-XX\***



## MATERIALS

- 16/304 Stainless Steel

## FEATURES

- Outside and Inside\* Guards
- Includes Adhesive Tape Backing

MODEL NUMBER	WIDTH	DEPTH	HEIGHT
CGO-48	2"	2"	48"
CGO-60	2"	2"	60"
CGO-72	2"	2"	72"
CGI-48*	2"	2"	48"
CGI-60*	2"	2"	60"
CGI-72*	2"	2"	72"

## INNOVATING AT NBR:

Here at NBR, we are always looking to be innovative and offer new products.

Be on the look out for all that is NEW!

New Website Coming November 2023!!

Thank your for choosing NBR as we aim to Better Serve You!!!

# INTRODUCING...

## **NBR WIRE SHELVING**



SHELVING & RACK - WIRE SHELVING



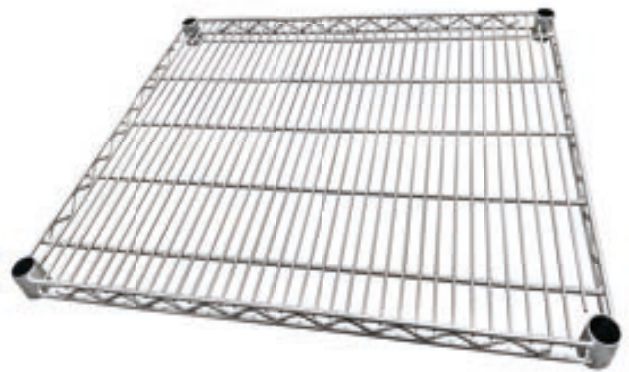
### FEATURES

- Wire Shelf, Post, and Wire Shelving S Hook
- (4) Sleeve Clips Per Shelf
- Gray Epoxy Finish



**GY-P74**

**GY-W2430**



**GY-SH**

MODEL NUMBER	DIMENSIONS
GY-W2430	30"W x 24"D
GY-P74	74"H
GY-SH	N/A

(609) 642 - 8389 | SALES@NBREQUIPMENT.COM | WWW.NBREQUIPMENT.COM

NBR EQUIPMENT, 10 ABEEL ROAD, CRANBURY, NJ 08512

# DECK MOUNT SLIM HAND DUMP SINK

UNDERBAR - SINKS

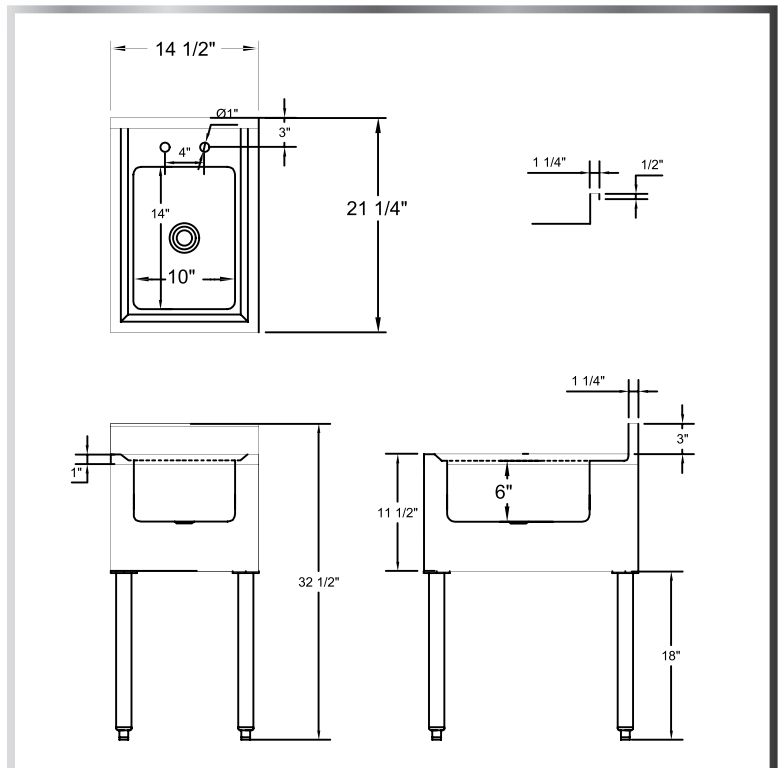


## MATERIALS

- 18 Gauge 304 Stainless Steel; Fabricated
- Stainless Steel Legs and Cross-Bracing
- Plastic Adjustable Bullet Feet

## FEATURES

- 4" On-Center Deck-Mounted Faucet Holes
  - 6" Deep Sink Bowl
  - 3" Backsplash
  - Free-Standing



Include a New 4" OC Faucet With Your Order!  
(See Page 78)

MODEL NUMBER	BOWL SIZE L X W X H	LENGTH	WIDTH
UD-1-1014-1221V	10" x 14" x 6"	12"	21-1/4"
UD-1-1014-1421V	10" x 14" x 6"	14-1/2"	21-1/4"

# WALL MOUNT SLIM HAND DUMP SINK

UNDERBAR - SINKS



## MATERIALS

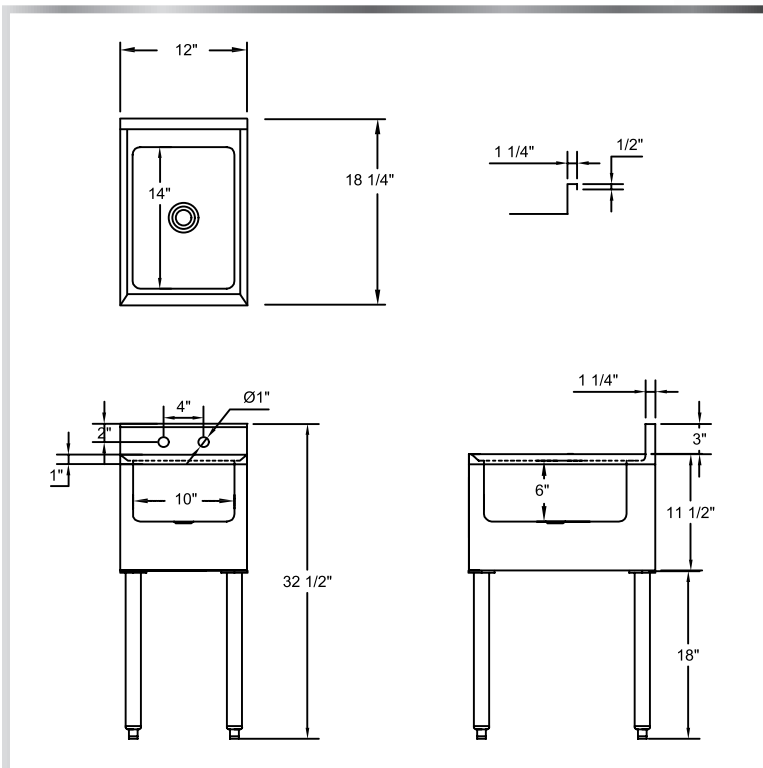
- 18 Gauge 304 Stainless Steel; Fabricated
- Stainless Steel Legs and Cross-Bracing
  - Plastic Adjustable Bullet Feet



## FEATURES

- 4" On-Center Wall-Mounted Faucet Holes
- 6" Deep Sink Bowl
- 3" Backsplash
- Free-Standing

Include a New 4" OC Faucet With Your Order!  
(See Page 78)



MODEL NUMBER	BOWL SIZE L X W X H	LENGTH	WIDTH
UW-1-1014-1418V	10" x 14" x 6"	14-1/2"	18-1/4"
UW-1-1014-1218V	10" x 14" x 6"	12"	18-1/4"



# SLIM UNDER-BAR SINK WITH SOAP & TOWEL DISPENSER

## UNDERBAR - SINKS

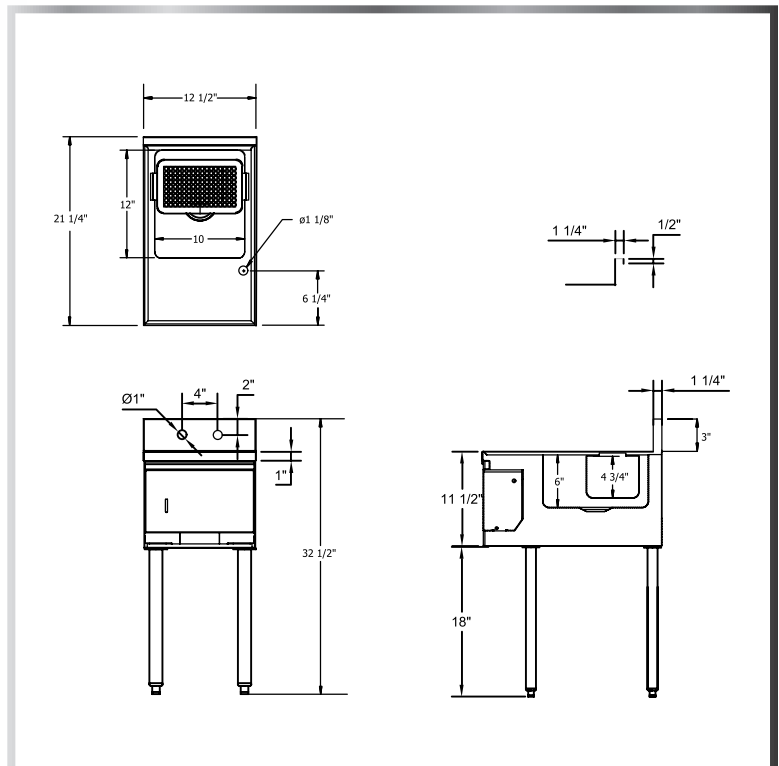


## MATERIALS

- 18 Gauge 304 Stainless Steel; Fabricated
- Stainless Steel Legs and Cross-Bracing
- Plastic Adjustable Bullet Feet

## FEATURES

- 4" On-Center Wall-Mounted Faucet Holes
  - 6" Deep Sink Bowl
  - Deck Mounted Soap Dispenser
  - Front Mounted Towel Dispenser
  - Includes Removable Drain Basket



Include a New 4" OC Faucet With Your Order!  
(See Page 78)

MODEL NUMBER	BOWL SIZE L X W X H	LENGTH	WIDTH
UW-1-1012-1218-TDV	10" x 12" x 6"	12-1/2"	18-1/4"
UW-1-1012-1221-TDV	10" x 12" x 6"	12-1/2"	21-1/4"
UW-1-1012-1518-TDV	10" x 12" x 6"	15"	18-1/4"
UW-1-1012-1521-TDV	10" x 12" x 6"	15"	21-1/4"

# SLIM UNDERBAR SINK

## UNDERBAR - SINKS



### MATERIALS

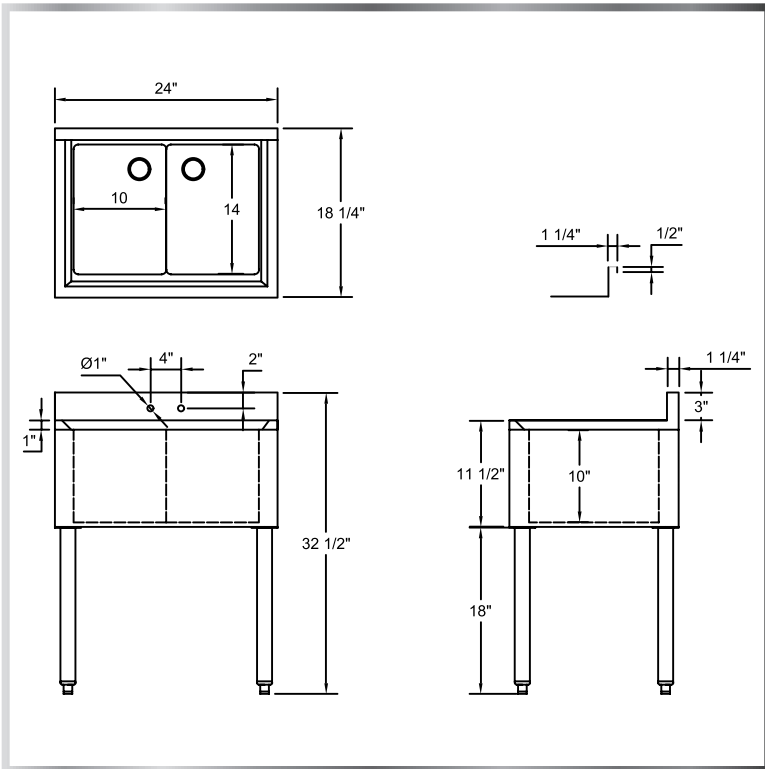
- 18 Gauge 304 Stainless Steel; Fabricated
- Stainless Steel Apron on Front and Sides
  - Stainless Steel Legs and Cross-Bracing
  - Plastic Adjustable Bullet Feet



### FEATURES

- 4" On-Center Wall-Mounted Faucet Holes
- 10" Deep Sink Bowls
- Includes Drain Baskets and Removable Overflow Stand Pipes
- Marine Edges

Include a New 4" OC Faucet With Your Order!  
(See Page 78)



MODEL NUMBER	BOWL SIZE L X W X H	LENGTH	WIDTH	NUMBER OF BOWLS
UW-2-101410-24	10" x 14" x 10"	24"	18-1/4"	2
UW-3-101410-36	10" x 14" x 10"	36"	18-1/4"	3
UW-4-101410-48	10" x 14" x 10"	48"	18-1/4"	4

(609) 642 - 8389 | SALES@NBREQUIPMENT.COM | WWW.NBREQUIPMENT.COM

NBR EQUIPMENT, 10 ABEEL ROAD, CRANBURY, NJ 08512

# SLIM UNDERBAR 1-DRAINBOARD SINK (LEFT)

## UNDERBAR - SINKS

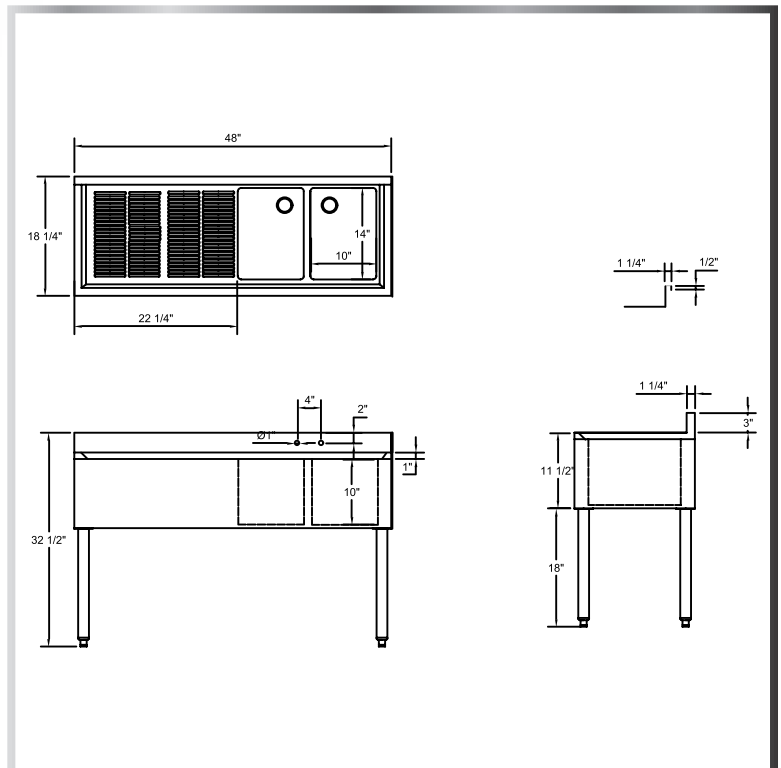


## MATERIALS

- 18 Gauge 304 Stainless Steel; Fabricated
- Stainless Steel Apron on Front and Sides
- Stainless Steel Legs and Cross-Bracing
- Plastic Adjustable Bullet Feet

## FEATURES

- 4" On-Center Wall-Mounted Faucet Holes
  - 10" Deep Sink Bowls
- Includes Drain Baskets and Removable Overflow Stand Pipes
  - Marine Edges



Include a New 4" OC Faucet With Your Order!  
(See Page 78)

MODEL NUMBER	BOWL SIZE L X W X H	LENGTH	WIDTH	NUMBER OF BOWLS
UW-2-101410-36L	10" x 14" x 10"	36"	18-1/4"	2
UW-2-101410-48L	10" x 14" x 10"	48"	18-1/4"	2
UW-3-101410-48L	10" x 14" x 10"	48"	18-1/4"	3
UW-3-101410-60L	10" x 14" x 10"	60"	18-1/4"	3

# SLIM UNDERBAR 1-DRAINBOARD SINK (RIGHT)



UNDERBAR - SINKS

## MATERIALS

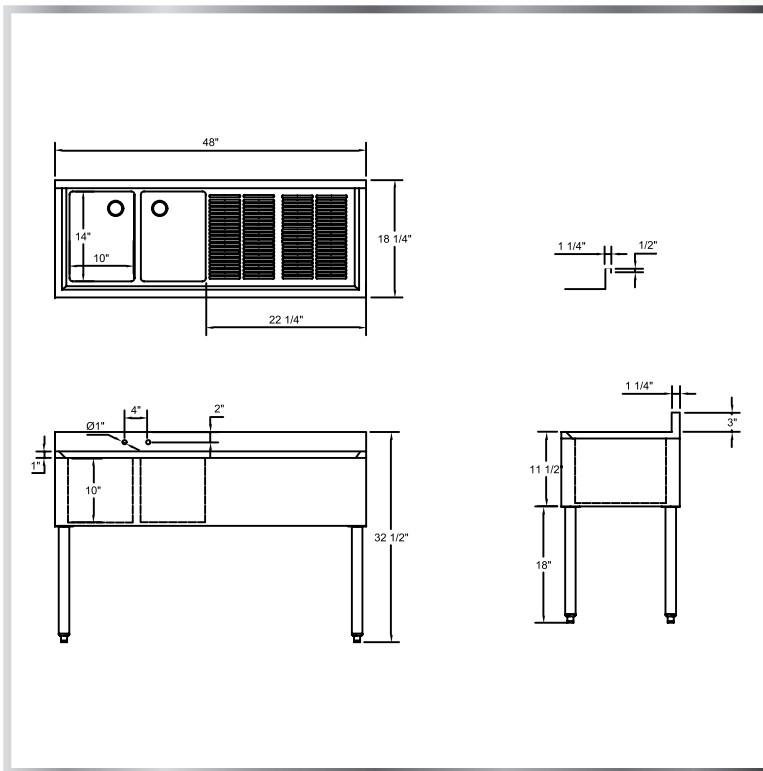
- 18 Gauge 304 Stainless Steel; Fabricated
- Stainless Steel Apron on Front and Sides
- Stainless Steel Legs and Cross-Bracing
  - Plastic Adjustable Bullet Feet



## FEATURES

- 4" On-Center Wall-Mounted Faucet Holes
- 10" Deep Sink Bowls
- Includes Drain Baskets and Removable Overflow Stand Pipes
- Marine Edges

Include a New 4" OC Faucet With Your Order!  
(See Page 78)



MODEL NUMBER	BOWL SIZE L X W X H	LENGTH	WIDTH	NUMBER OF BOWLS
UW-2-101410-36R	10" x 14" x 10"	36"	18-1/4"	2
UW-2-101410-48R	10" x 14" x 10"	48"	18-1/4"	2
UW-3-101410-48R	10" x 14" x 10"	48"	18-1/4"	3
UW-3-101410-60R	10" x 14" x 10"	60"	18-1/4"	3

(609) 642 - 8389 | SALES@NBREQUIPMENT.COM | WWW.NBREQUIPMENT.COM

NBR EQUIPMENT, 10 ABEEL ROAD, CRANBURY, NJ 08512

# SLIM UNDERBAR 2-DRAINBOARD SINK

UNDERBAR - SINKS

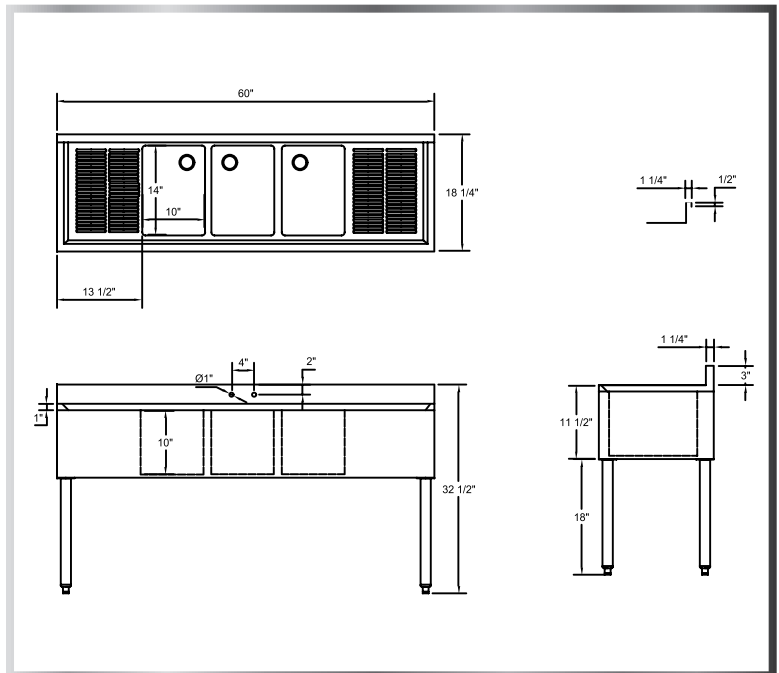


## MATERIALS

- 18 Gauge 304 Stainless Steel; Fabricated
- Stainless Steel Apron on Front and Sides
- Stainless Steel Legs and Cross-Bracing
- Plastic Adjustable Bullet Feet

## FEATURES

- 4" On-Center Wall-Mounted Faucet Holes
  - 10" Deep Sink Bowls
- Includes Drain Baskets and Removable Overflow Stand Pipes
  - Marine Edges



Include a New 4" OC Faucet With Your Order!  
(See Page 78)

MODEL NUMBER	BOWL SIZE L X W X H	LENGTH	WIDTH	NUMBER OF BOWLS
UW-2-101410-48LR	10" x 14" x 10"	48"	18-1/4"	2
UW-3-101410-60LR	10" x 14" x 10"	60"	18-1/4"	3
UW-3-101410-72LR	10" x 14" x 10"	72"	18-1/4"	3
UW-3-101410-84LR	10" x 14" x 10"	84"	18-1/4"	3
UW-3-101410-96LR	10" x 14" x 10"	96"	18-1/4"	3
UW-4-101410-72LR	10" x 14" x 10"	72"	18-1/4"	4
UW-4-101410-84LR	10" x 14" x 10"	84"	18-1/4"	4
UW-4-101410-96LR	10" x 14" x 10"	96"	18-1/4"	4

(609) 642 - 8389 | SALES@NBREQUIPMENT.COM | WWW.NBREQUIPMENT.COM

NBR EQUIPMENT, 10 ABEEL ROAD, CRANBURY, NJ 08512

# DECK MOUNT UNDEBAR SINK

## UNDERBAR - SINKS



### MATERIALS

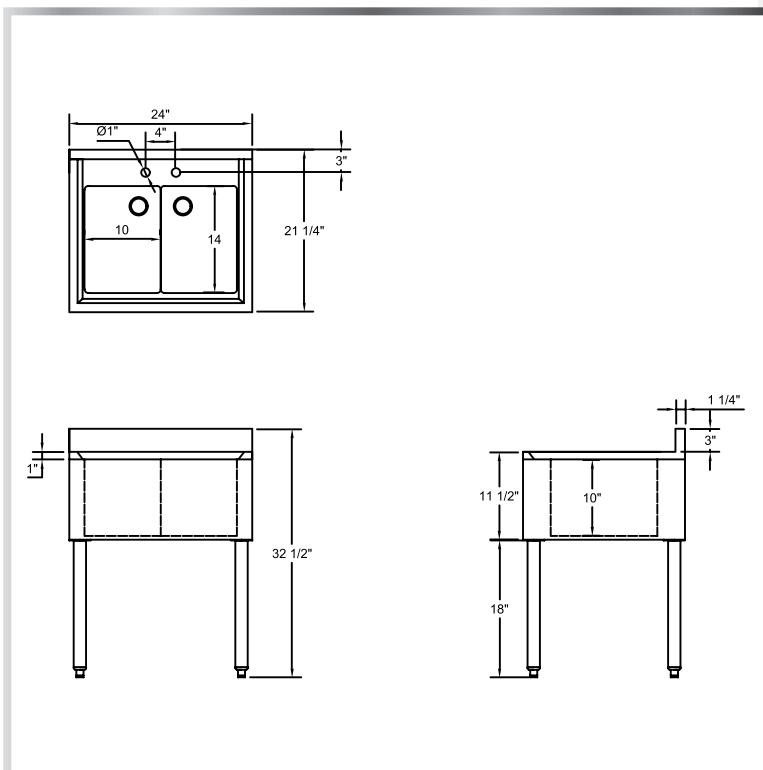
- 18 Gauge 304 Stainless Steel; Fabricated
- Stainless Steel Apron on Front and Sides
  - Stainless Steel Legs
  - Plastic Adjustable Bullet Feet



### FEATURES

- 4" On-Center Deck-Mounted Faucet Holes
- 10" Deep Sink Bowls
- Includes Drain Baskets and Removable Overflow Stand Pipes
- Marine Edges

Include a New 4" OC Faucet With Your Order!  
(See Page 78)



MODEL NUMBER	BOWL SIZE L X W X H	LENGTH	WIDTH	NUMBER OF BOWLS
UD-2-101410-24	10" x 14" x 10"	24"	21-1/4"	2
UD-3-101410-36	10" x 14" x 10"	36"	21-1/4"	3
UD-4-101410-48	10" x 14" x 10"	48"	21-1/4"	4

(609) 642 - 8389 | SALES@NBREQUIPMENT.COM | WWW.NBREQUIPMENT.COM

NBR EQUIPMENT, 10 ABEEL ROAD, CRANBURY, NJ 08512

# DECK MOUNT UNDERBAR 1-DRAINBOARD SINK (LEFT)

UNDERBAR - SINKS

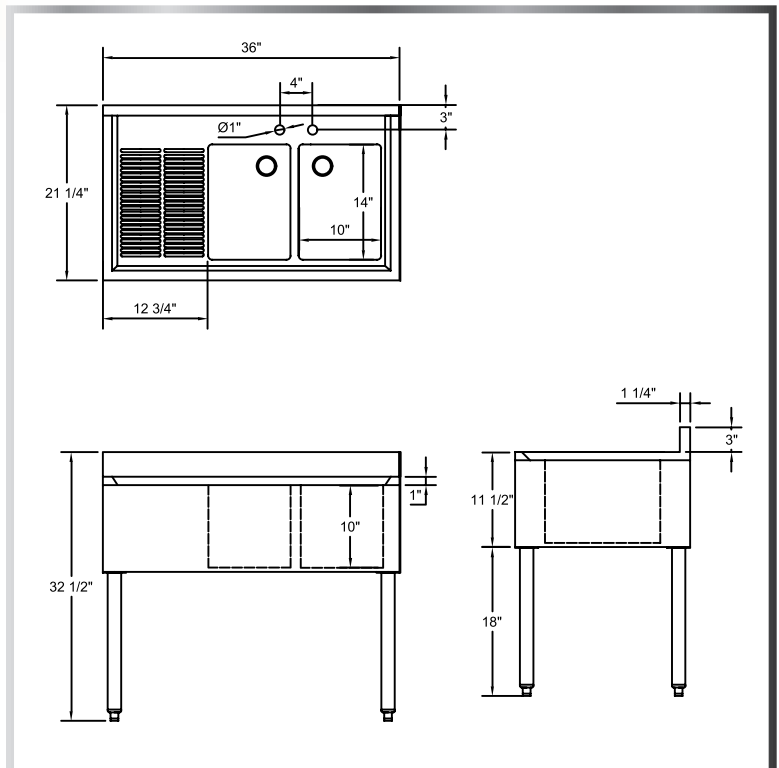


## MATERIALS

- 18 Gauge 304 Stainless Steel; Fabricated
- Stainless Steel Apron on Front and Sides
- Stainless Steel Legs and Cross-Bracing
- Plastic Adjustable Bullet Feet

## FEATURES

- 4" On-Center Deck-Mounted Faucet Holes
  - 10" Deep Sink Bowls
- Includes Drain Baskets and Removable Overflow Stand Pipes
  - Marine Edges



Include a New 4" OC Faucet With Your Order!  
(See Page 78)

MODEL NUMBER	BOWL SIZE L X W X H	LENGTH	WIDTH	NUMBER OF BOWLS
UD-2-101410-36L	10" x 14" x 10"	36"	21-1/4"	2
UD-2-101410-48L	10" x 14" x 10"	48"	21-1/4"	2
UD-3-101410-48L	10" x 14" x 10"	48"	21-1/4"	3
UD-3-101410-60L	10" x 14" x 10"	60"	21-1/4"	3

(609) 642 - 8389 | SALES@NBREQUIPMENT.COM | WWW.NBREQUIPMENT.COM

NBR EQUIPMENT, 10 ABEEL ROAD, CRANBURY, NJ 08512

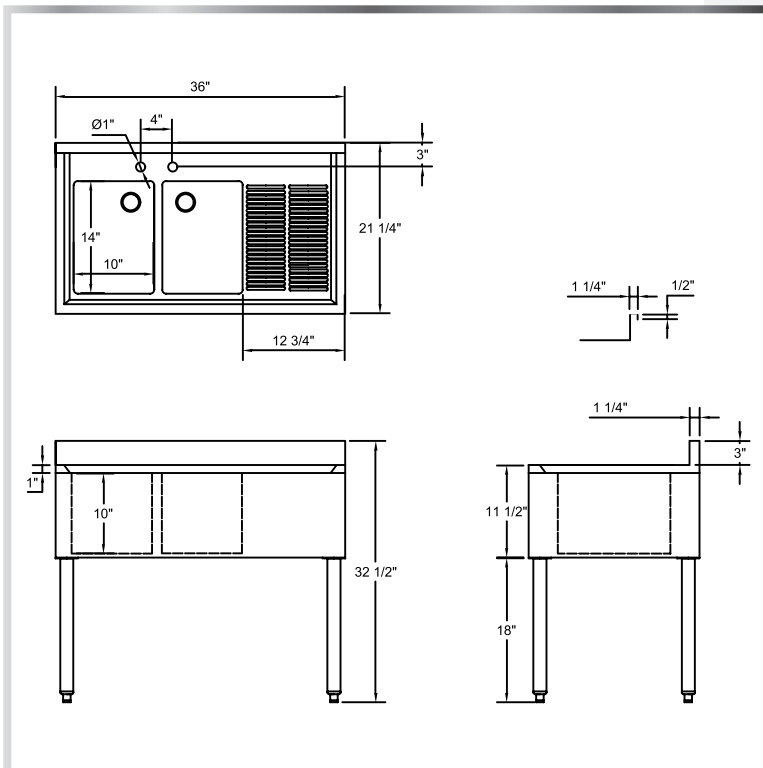
# DECK MOUNT UNDERBAR 1-DRAINBOARD SINK (RIGHT)



## UNDERBAR - SINKS

### MATERIALS

- 18 Gauge 304 Stainless Steel; Fabricated
- Stainless Steel Apron on Front and Sides
- Stainless Steel Legs and Cross-Bracing
  - Plastic Adjustable Bullet Feet



### FEATURES

- 4" On-Center Deck-Mounted Faucet Holes
- 10" Deep Sink Bowls
- Includes Drain Baskets and Removable Overflow Stand Pipes
- Marine Edges

Include a New 4" OC Faucet With Your Order!  
(See Page 78)

MODEL NUMBER	BOWL SIZE L X W X H	LENGTH	WIDTH	NUMBER OF BOWLS
UD-2-101410-36R	10" x 14" x 10"	36"	21-1/4"	2
UD-2-101410-48R	10" x 14" x 10"	48"	21-1/4"	2
UD-3-101410-48R	10" x 14" x 10"	48"	21-1/4"	3
UD-3-101410-60R	10" x 14" x 10"	60"	21-1/4"	3

(609) 642 - 8389 | SALES@NBREQUIPMENT.COM | WWW.NBREQUIPMENT.COM

NBR EQUIPMENT, 10 ABEEL ROAD, CRANBURY, NJ 08512



# DECK MOUNT UNDERBAR 2-DRAINBOARD SINK

## UNDERBAR - SINKS

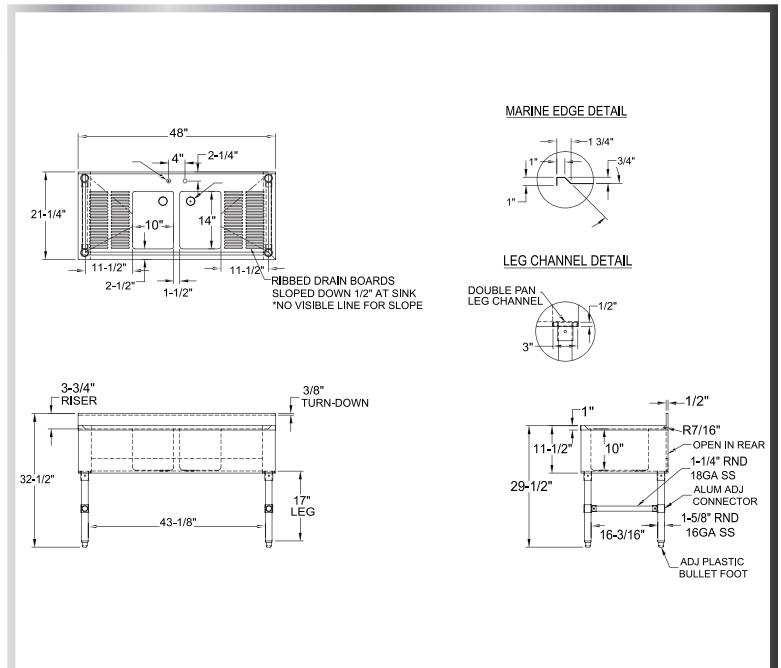


## MATERIALS

- 18 Gauge 304 Stainless Steel; Fabricated
- Stainless Steel Apron on Front and Sides
- Stainless Steel Legs and Cross-Bracing
- Plastic Adjustable Bullet Feet

## FEATURES

- 4" On-Center Deck-Mounted Faucet Holes
  - 10" Deep Sink Bowls
- Includes Drain Baskets and Removable Overflow Stand Pipes
  - Marine Edges



Include a New 4" OC Faucet With Your Order!  
(See Page 78)

MODEL NUMBER	BOWL SIZE L X W X H	LENGTH	WIDTH	NUMBER OF BOWLS
UD-2-101410-48LR	10" x 14" x 10"	48"	21-1/4"	2
UD-3-101410-60LR	10" x 14" x 10"	60"	21-1/4"	3
UD-3-101410-72LR	10" x 14" x 10"	72"	21-1/4"	3
UD-3-101410-84LR	10" x 14" x 10"	84"	21-1/4"	3
UD-3-101410-96LR	10" x 14" x 10"	96"	21-1/4"	3
UD-4-101410-72LR	10" x 14" x 10"	72"	21-1/4"	4
UD-4-101410-84LR	10" x 14" x 10"	84"	21-1/4"	4
UD-4-101410-96LR	10" x 14" x 10"	96"	21-1/4"	4

(609) 642 - 8389 | SALES@NBREQUIPMENT.COM | WWW.NBREQUIPMENT.COM

NBR EQUIPMENT, 10 ABEEL ROAD, CRANBURY, NJ 08512

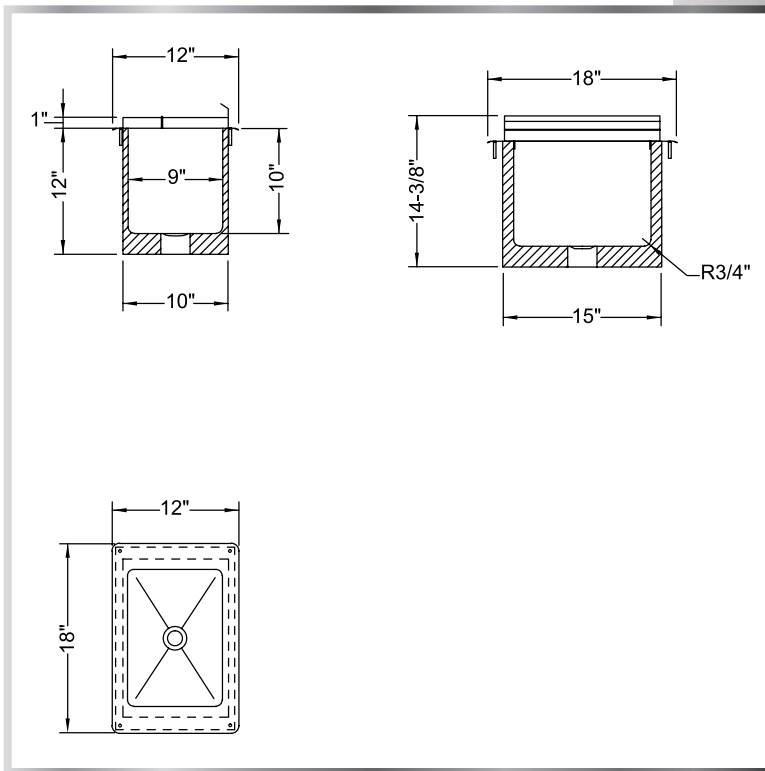
# DROP-IN ICE BIN

## UNDERBAR - ICE BINS



### MATERIALS

- 14 Gauge 304 Stainless Steel Top
- 18 Gauge 304 Stainless Steel Body and Cover



### FEATURES

- 10" Deep Insulated Bin
- Removable Sliding Lid
- Includes Drain

MODEL NUMBER	LENGTH	WIDTH	RECOMMENDED CUTOUT
DIB-1218	12"	18"	11-1/4" x 17-1/4"
DIB-2218	22"	18"	21-1/4" x 17-1/4"
DIB-2818	28"	18"	27-1/4" x 17-1/4"
DIB-3418	34"	18"	33-1/4" x 17-1/4"

(609) 642 - 8389 | SALES@NBREQUIPMENT.COM | WWW.NBREQUIPMENT.COM

NBR EQUIPMENT, 10 ABEEL ROAD, CRANBURY, NJ 08512

# DROP-IN ICE & WATER UNIT

## UNDERBAR - ICE BINS



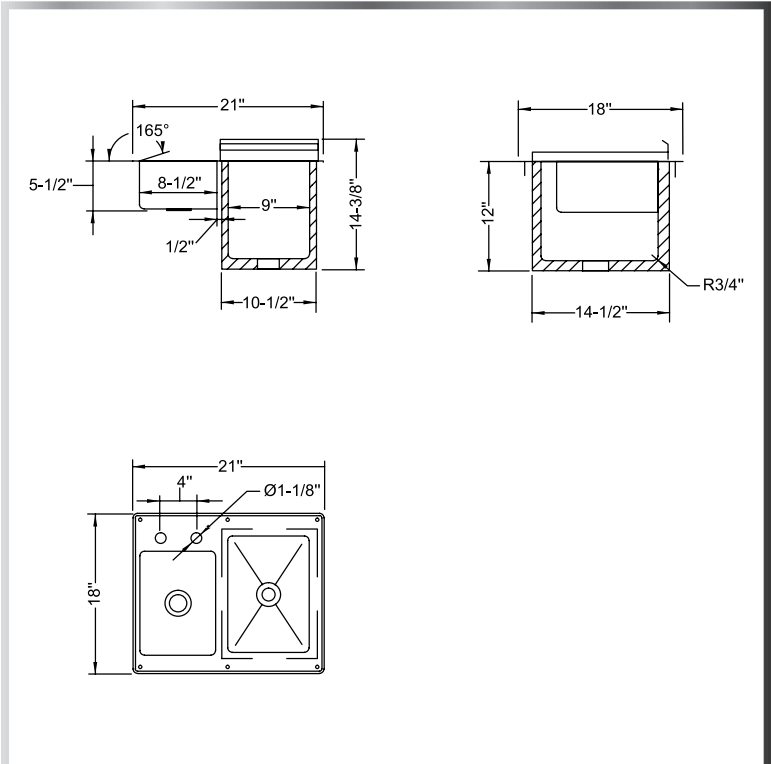
### MATERIALS

- 14 Gauge 304 Stainless Steel Deck
- 18 Gauge 304 Stainless Steel Body and Cover

### FEATURES

- Left Water Station
- Removable Water Sink Grate
- 10" Deep Insulated Ice Bin
  - Removable Sliding Lid
  - Includes Drains

Include a Faucet With Your Order!  
(See Pages 77-80)



MODEL NUMBER	LENGTH	WIDTH	RECOMMENDED CUTOUT
DIB-2-2118	21"	18"	20-1/4" x 17-1/4"

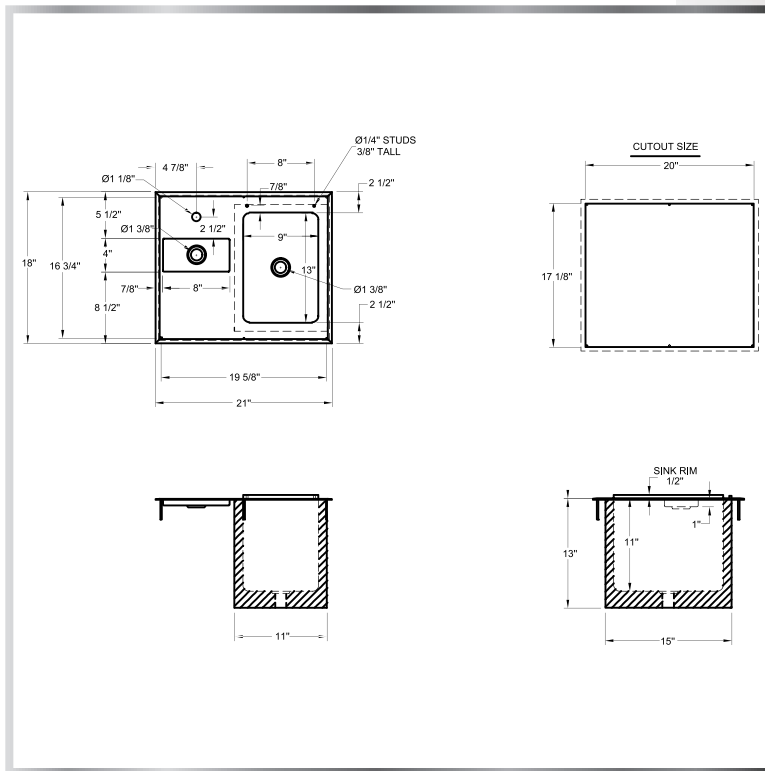
# DROP-IN ICE & WATER UNIT

## UNDERBAR - ICE BINS



### MATERIALS

- 14 Gauge 304 Stainless Steel Deck
- 18 Gauge 304 Stainless Steel Body and Cover



### FEATURES

- Left Water Station
- Left Water Filler Stand With Perforated Insert
- 11" Deep Insulated Ice Bin
- Removable Sliding Lid
- Includes Drains

Include a Faucet With Your Order!  
(See Pages 77-80)

MODEL NUMBER	LENGTH	WIDTH	RECOMMENDED CUTOUT
DIB-2118-WS	21"	18"	20-1/4" x 17-1/4"

# DROP-IN ICE & WATER UNIT

## UNDERBAR - ICE BINS



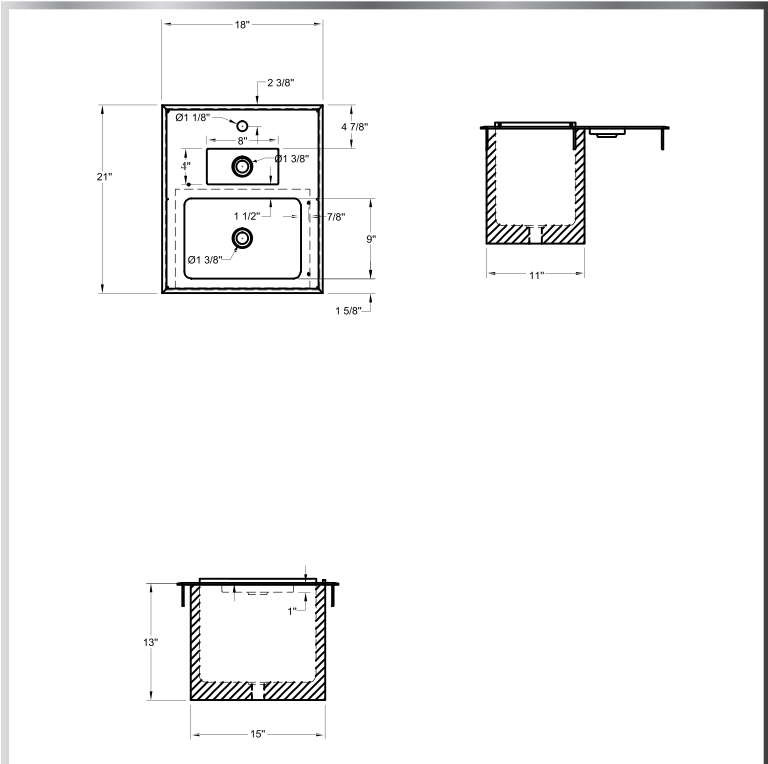
### MATERIALS

- 14 Gauge Stainless Steel Deck
- 18 Gauge 304 Stainless Steel Body

### FEATURES

- Rear Water Station
- Left Water Filler Stand With Perforated Insert
- 11" Deep Insulated Ice Bin
  - Removable Sliding Lid
  - Includes Drains

Include a Faucet With Your Order!  
(See Pages 77-80)



MODEL NUMBER	LENGTH	WIDTH	RECOMMENDED CUTOUT
DIB-1821-WS	18"	21"	17-1/4" x 20-1/4"

# ICE BIN & COCKTAIL UNIT

## UNDERBAR - ICE BINS

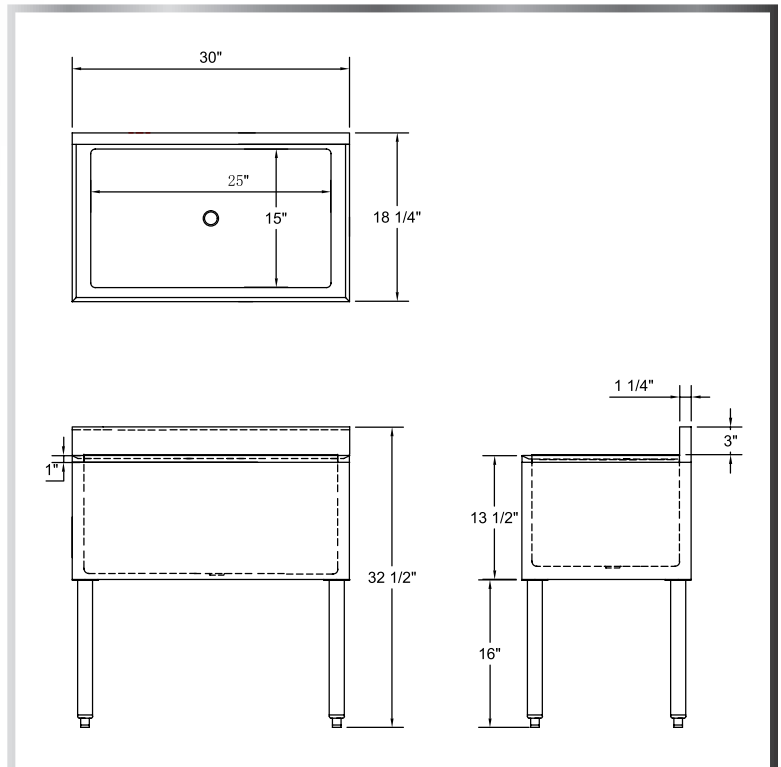


### MATERIALS

- 18 Gauge 304 Stainless Steel; Fabricated
- Stainless Steel Legs and Cross-Bracing
- Plastic Adjustable Bullet Feet

### FEATURES

- 12-<sup>9</sup>/<sub>16</sub>" Deep Insulated Ice Bin
  - 4" Backsplash
- Includes 2 Piece Sliding Lid and Drain



MODEL NUMBER	LENGTH	WIDTH
IB-2418	24"	18-1/4"
IB-2421	24"	21-1/4"
IB-3018	30"	18-1/4"
IB-3021	30"	21-1/4"
IB-3618	36"	18-1/4"
IB-3621	36"	21-1/4"
IB-4818	48"	18-1/4"
IB-4821	48"	21-1/4"

(609) 642 - 8389 | SALES@NBREQUIPMENT.COM | WWW.NBREQUIPMENT.COM

NBR EQUIPMENT, 10 ABEEL ROAD, CRANBURY, NJ 08512

# ICE BIN WITH COLD PLATE

## UNDERBAR - ICE BINS

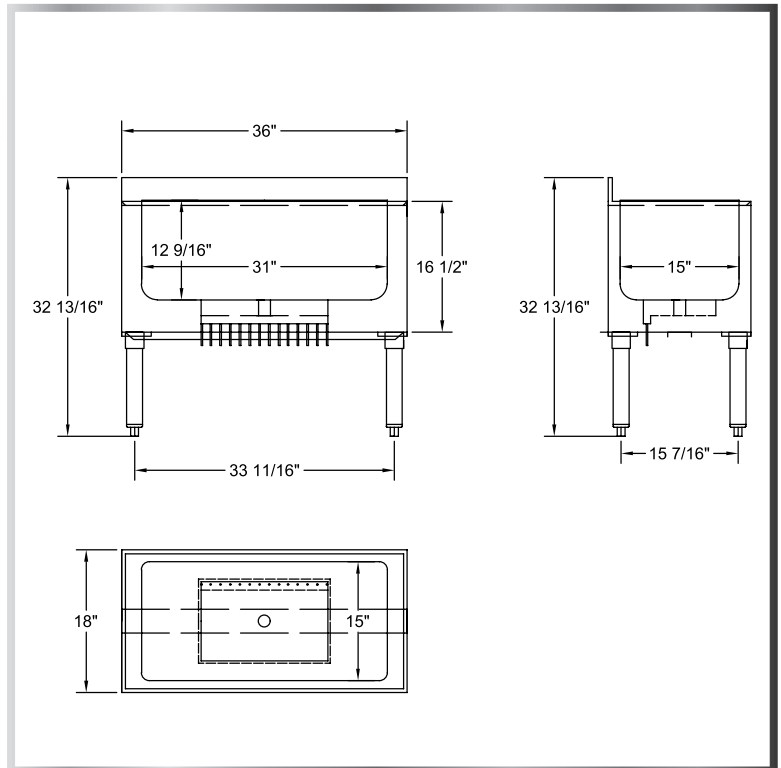


## MATERIALS

- 18 Gauge 304 Stainless Steel; Fabricated
- 7-Circuit Aluminum Cold Plate
- Stainless Steel Legs and Bracing

## FEATURES

- 100 lbs. Capacity
- 12-9/16" Deep Insulated Ice Bin
  - 4" Backsplash



MODEL NUMBER	LENGTH	WIDTH
IBC-2418C7	24"	18-1/4"
IBC-2421C7	24"	21-1/4"
IBC-3018C7	30"	18-1/4"
IBC-3021C7	30"	21-1/4"
IBC-3618C7	36"	18-1/4"
IBC-3621C7	36"	21-1/4"
IBC-4818C7	48"	18-1/4"
IBC-4821C7	48"	21-1/4"

(609) 642 - 8389 | SALES@NBREQUIPMENT.COM | WWW.NBREQUIPMENT.COM

NBR EQUIPMENT, 10 ABEEL ROAD, CRANBURY, NJ 08512

# ICE BIN WITH COLD PLATE

## UNDERBAR - ICE BINS

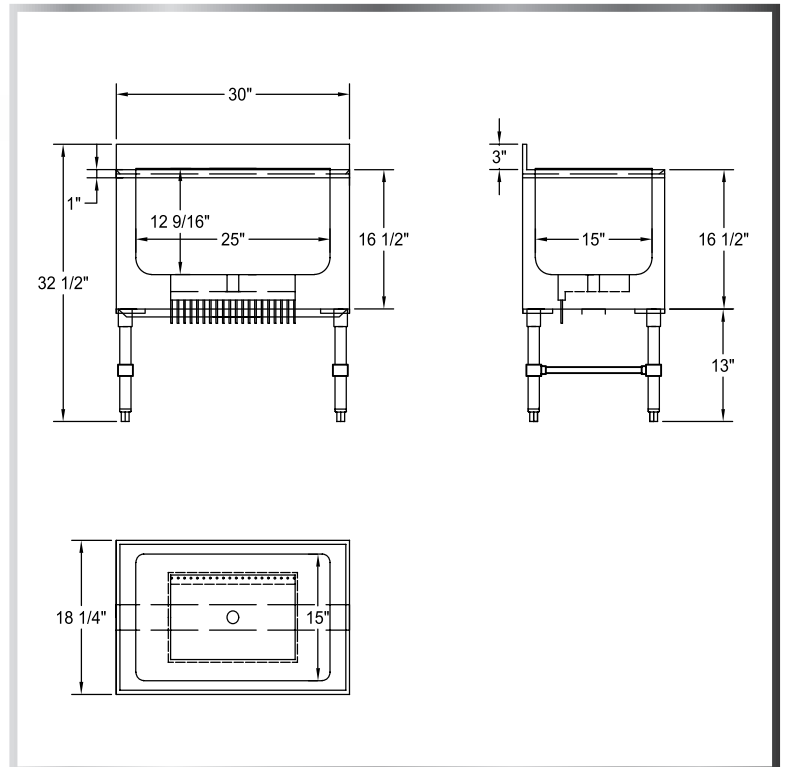


## MATERIALS

- 18 Gauge 304 Stainless Steel; Fabricated
- 10-Circuit Aluminum Cold Plate
- Stainless Steel Legs and Bracing

## FEATURES

- 80-170 lbs. Capacity
- 12-<sup>9</sup>/<sub>16</sub>" Deep Insulated Ice Bin
  - 4" Backsplash



MODEL NUMBER	LENGTH	WIDTH
IBC-3018C10	30"	18-1/4"
IBC-3021C10	30"	21-1/4"
IBC-3618C10	36"	18-1/4"
IBC-3621C10	36"	21-1/4"
IBC-4818C10	48"	18-1/4"
IBC-4821C10	48"	21-1/4"

(609) 642 - 8389 | SALES@NBREQUIPMENT.COM | WWW.NBREQUIPMENT.COM

NBR EQUIPMENT, 10 ABEEL ROAD, CRANBURY, NJ 08512



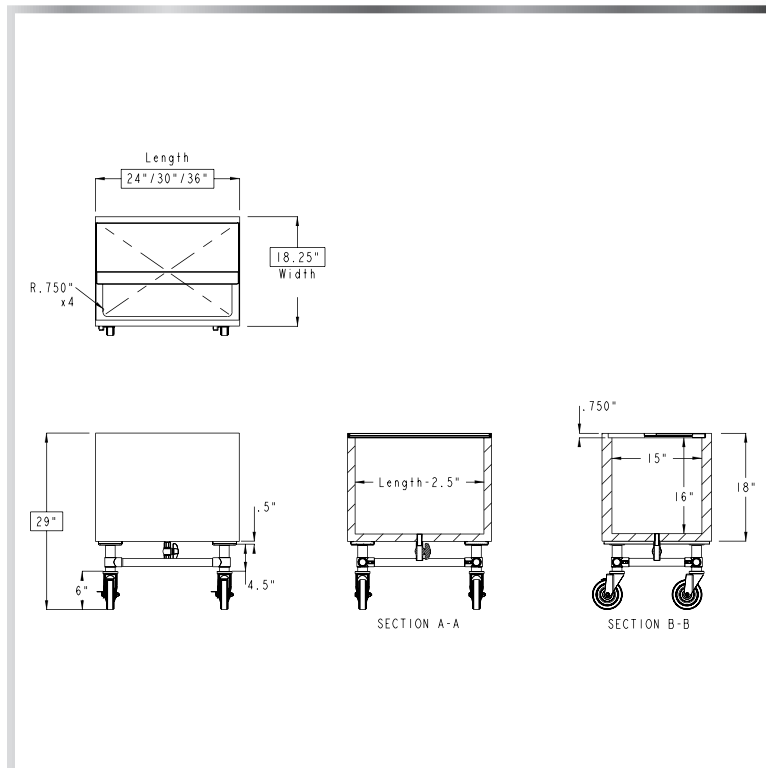
# MOBILE ICE BIN

## UNDERBAR - MOBILE ICE BIN



### MATERIALS

- 18 Gauge 304 Stainless Steel; Fabricated
  - Stainless Steel Legs and Cross-Bracing
    - Four 5" Casters Included (2 With Brakes, 2 Without)



### FEATURES

- Portable
- Insulated
- 16" Deep Ice Bin
- Includes 1" Center Drain With Shut-Off Valve

MODEL NUMBER	LENGTH	WIDTH
IBM-2418	24"	18-1/2"
IBM-3018	30"	18-1/2"
IBM-3618	36"	18-1/2"

# GLASS RACK CABINET

## UNDERBAR - GLASS CABINETS

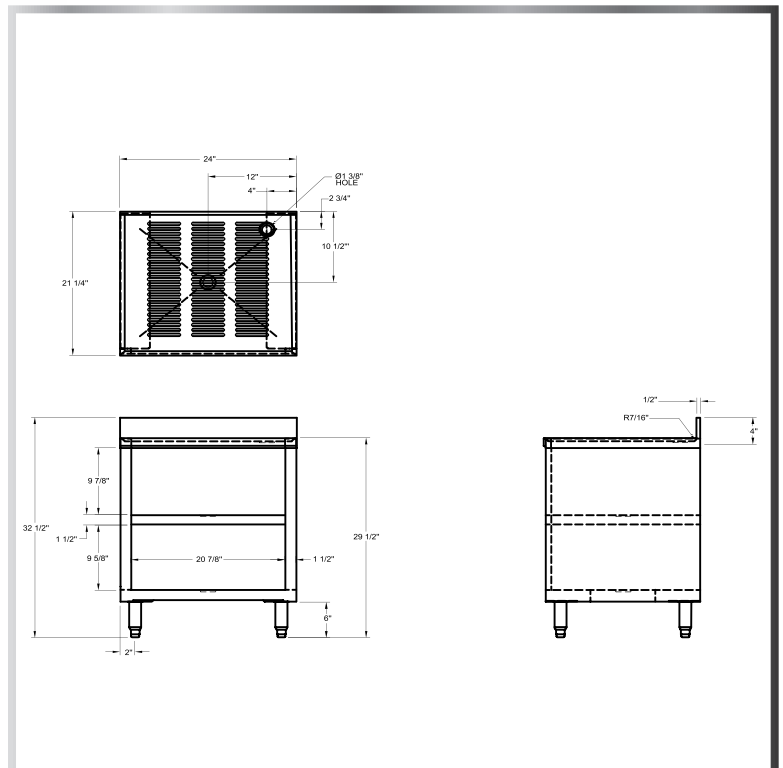


### MATERIALS

- 18 Gauge 304 Stainless Steel; Fabricated
- Stainless Steel Adjustable Bullet Feet

### FEATURES

- Ribbed Drainboard
  - 4" Backsplash



MODEL NUMBER	LENGTH	WIDTH	NUMBER OF RACKS
GRC24-2	24"	21-1/4"	2

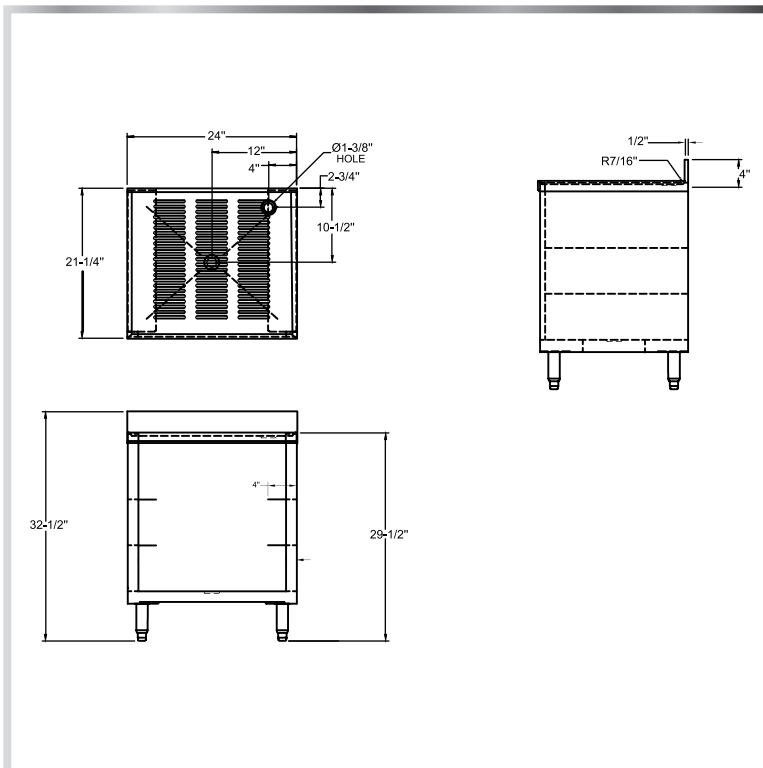
# GLASS RACK CABINET

## UNDERBAR - GLASS CABINETS



### MATERIALS

- 18 Gauge 304 Stainless Steel; Fabricated
  - Stainless Steel Adjustable Bullet Feet



### FEATURES

- Ribbed Drainboard
- 4" Backsplash

MODEL NUMBER	LENGTH	WIDTH	NUMBER OF RACKS
GRC24-3	24"	21-1/4"	3

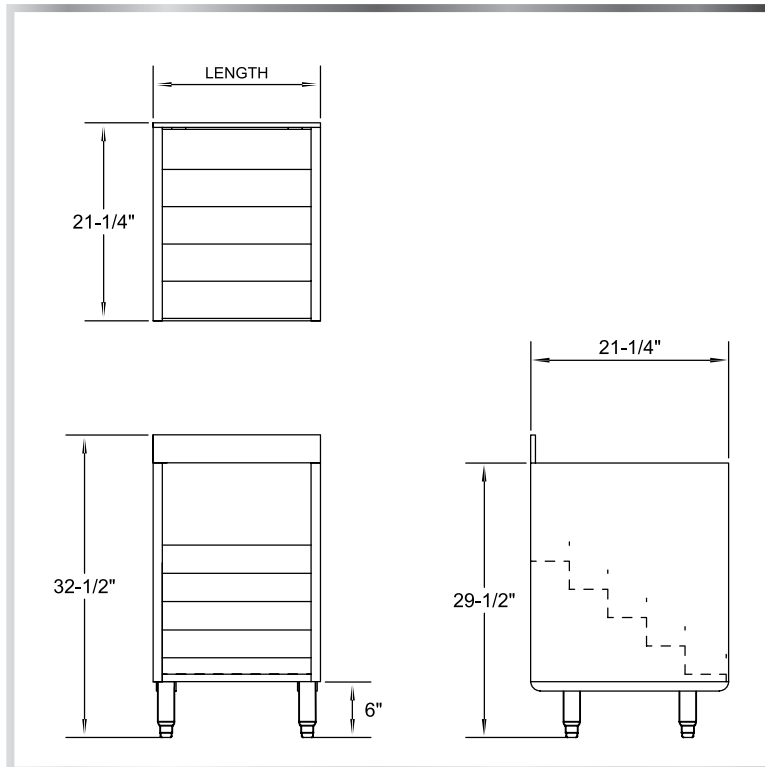
# LIQUOR DISPLAY CABINET

UNDERBAR - LIQUOR DISPLAY



## MATERIALS

- 18 Gauge 304 Stainless Steel; Fabricated
- Stainless Steel Legs and Adjustable Bullet Feet



## FEATURES

- Five Steps With Guard Rails on Each Side

MODEL NUMBER	LENGTH	WIDTH	BOTTLE CAPACITY
LDC-1821	18"	21-1/4"	20
LDC-2421	24"	21-1/4"	30
LDC-3021	30"	21-1/4"	35

(609) 642 - 8389 | SALES@NBREQUIPMENT.COM | WWW.NBREQUIPMENT.COM

NBR EQUIPMENT, 10 ABEEL ROAD, CRANBURY, NJ 08512

# UNDERBAR LIQUOR DISPLAY

## UNDERBAR - LIQUOR DISPLAY

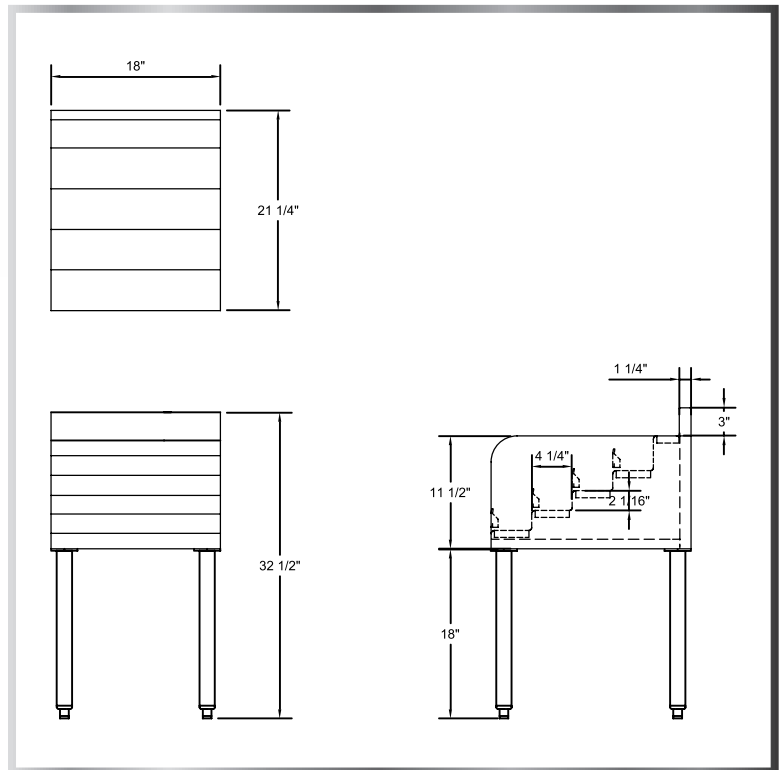


### MATERIALS

- 18 Gauge 304 Stainless Steel; Fabricated
- Stainless Steel Legs and Cross-Bracing
- Plastic Adjustable Bullet Feet

### FEATURES

- Four Steps With Guard Rails on Each Side
- Side Cross-Bracing For Reinforced Support



MODEL NUMBER	LENGTH	WIDTH	BOTTLE CAPACITY
LD-1218	12"	18-1/4"	13
LD-1221	12"	21-1/4"	13
LD-1818	18"	18-1/4"	20
LD-1821	18"	21-1/4"	20
LD-2418	24"	18-1/4"	27
LD-2421	24"	21-1/4"	27
LD-3618	36"	18-1/4"	40
LD-3621	36"	21-1/4"	40

(609) 642 - 8389 | SALES@NBREQUIPMENT.COM | WWW.NBREQUIPMENT.COM

NBR EQUIPMENT, 10 ABEEL ROAD, CRANBURY, NJ 08512

# BLENDER STATION WITH DUMP SINK

## UNDERBAR - BLENDER STATIONS



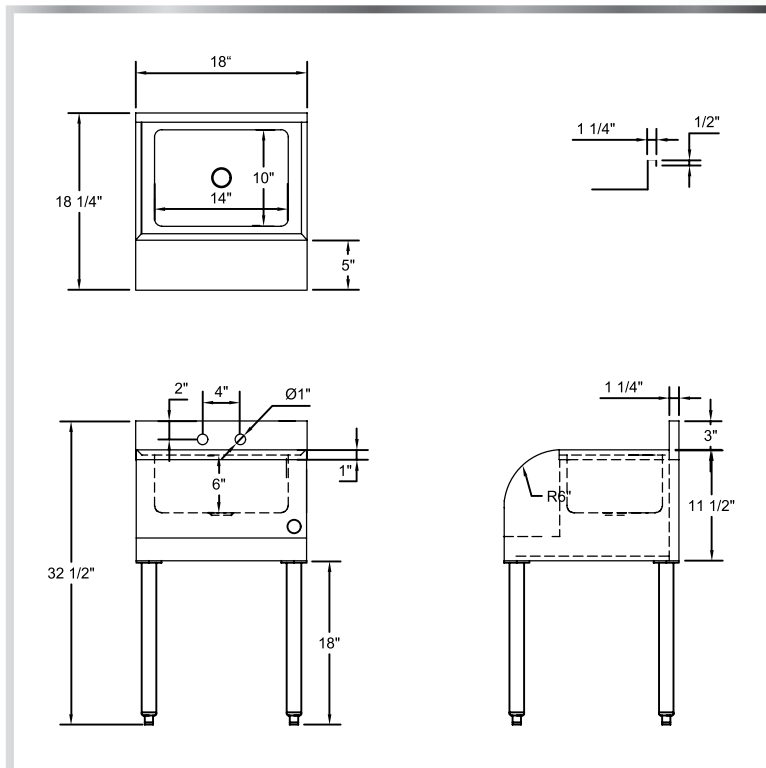
### MATERIALS

- 18 Gauge 304 Stainless Steel; Fabricated
- Stainless Steel Legs and Cross-Bracing
  - Plastic Adjustable Bullet Feet



### FEATURES

- 4" On-Center Wall-Mounted Faucet Holes
- 1-1/2" Drain Hole With Rubber Grommet For Power Cord



Include a New 4" OC Faucet With Your Order!  
(See Page 78)

MODEL NUMBER	BOWL SIZE L X W X H	LENGTH	WIDTH
UW-1-1410-1818-H	14" x 10" x 6"	18"	18-1/4"
UW-1-1410-1821-H	14" x 10" x 6"	18"	21-1/4"

# BLENDER STATION

## UNDERBAR - BLENDER STATIONS



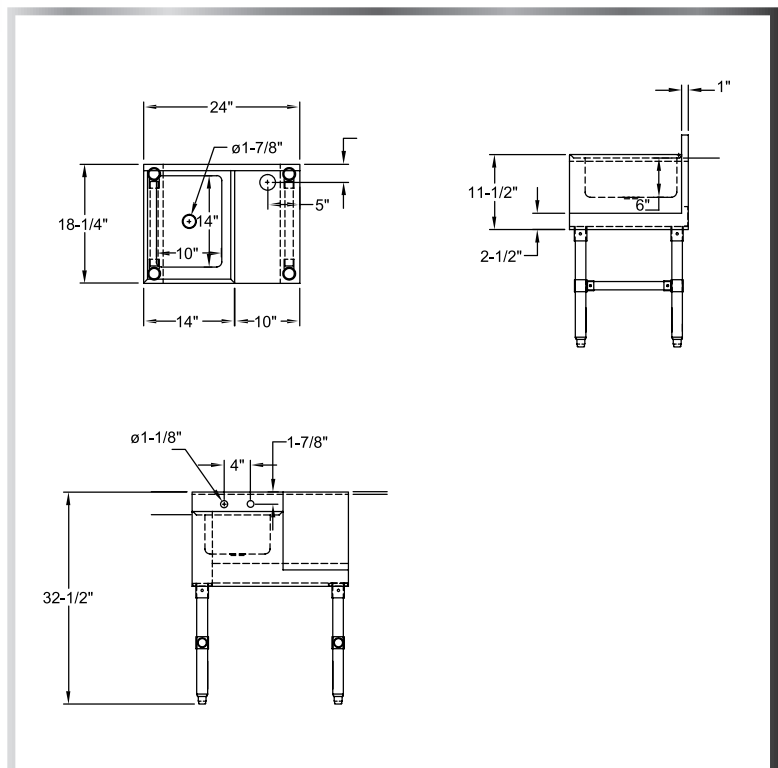
### MATERIALS

- 18 Gauge 304 Stainless Steel; Fabricated
- Stainless Steel Legs and Cross-Bracing
- Plastic Adjustable Bullet Feet

### FEATURES

- 4" On-Center Wall-Mounted Faucet Holes
- 2-1/2" Drain Hole With Rubber Grommet For Power Cord

Include a New 4" OC Faucet With Your Order!  
(See Page 78)



MODEL NUMBER	BOWL SIZE L X W X H	LENGTH	WIDTH
UW-1-1014-2418-RH	10" x 14" x 6"	24"	18-1/4"

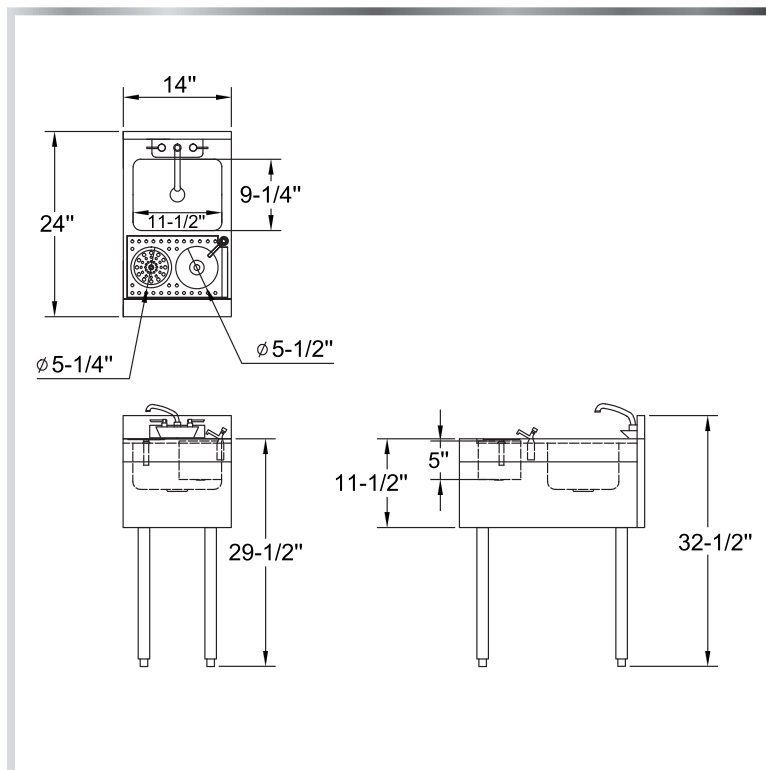
# UNDERBAR MIXOLOGY UNIT

## UNDERBAR - MIXOLOGY STATIONS



### MATERIALS

- 18 Gauge 304 Stainless Steel; Fabricated
  - Stainless Steel Legs and Bullet Feet



### FEATURES

- 11-1/2" x 9-1/4" x 6" Sink Bowl
- 4" On-Center Wall-Mounted Faucet Holes (Faucet Included)
- Push-Down Rinse Faucet Included
- Draining Dipper Well (Faucet NOT Included)

**MODEL NUMBER**

UMRDS-1424

**LENGTH**

14"

**WIDTH**

24"

(609) 642 - 8389 | SALES@NBREQUIPMENT.COM | WWW.NBREQUIPMENT.COM

NBR EQUIPMENT, 10 ABEEL ROAD, CRANBURY, NJ 08512



# UNDERBAR MIXOLOGY UNIT

## UNDERBAR - MIXOLOGY STATIONS

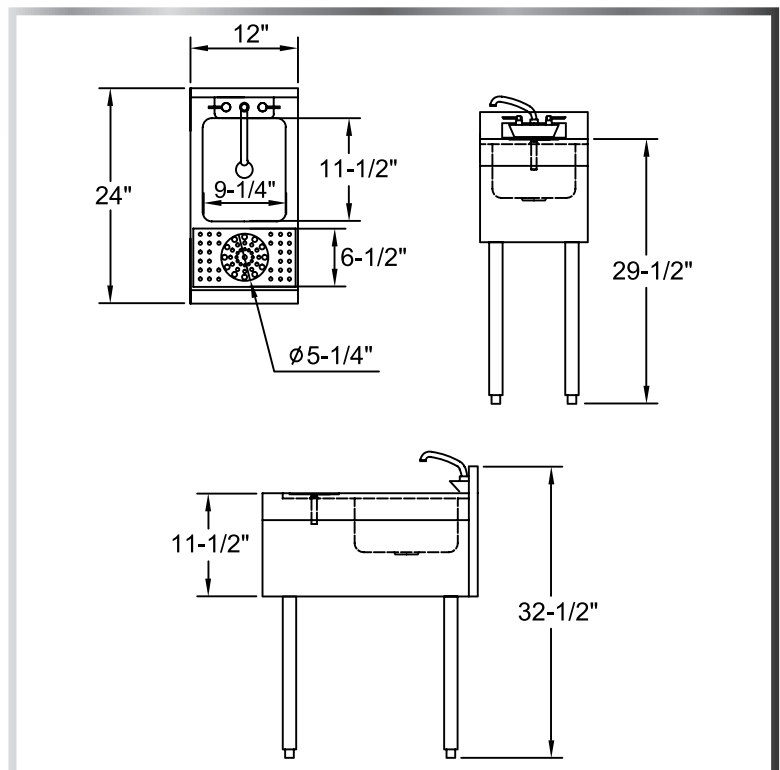


## MATERIALS

- 18 Gauge 304 Stainless Steel; Fabricated
- Stainless Steel Legs and Bullet Feet

## FEATURES

- 11-1/2" x 9-1/4" x 6" Sink Bowl
- 4" On-Center Wall-Mounted Faucet Holes (Faucet Included)
- Push-Down Rinse Faucet Included



MODEL NUMBER	LENGTH	WIDTH
UMRS-1224	12"	24"

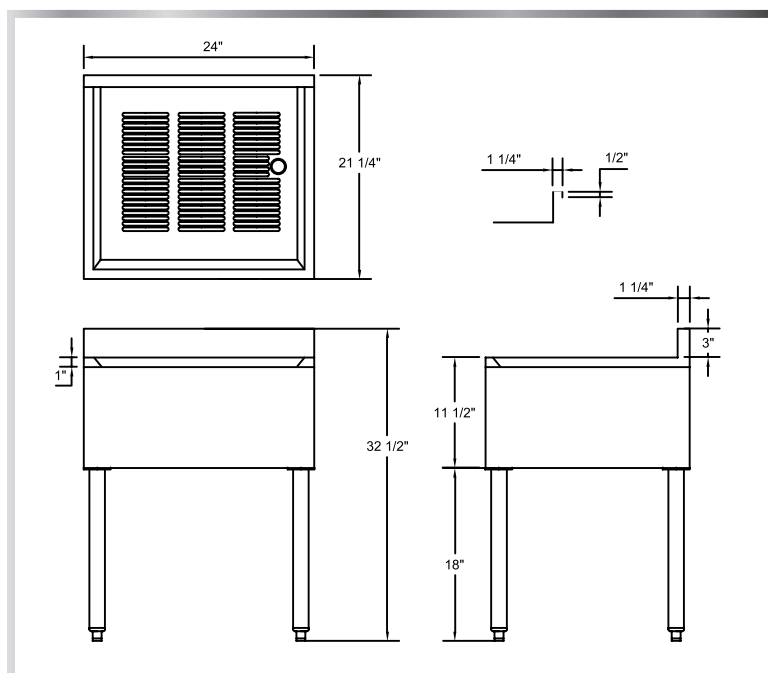
# SLIM FREE-STANDING DRAINBOARD

## UNDERBAR - DRAINBOARD



### MATERIALS

- 18 Gauge 304 Stainless Steel; Fabricated
  - Stainless Steel Legs and Cross-Bracing
    - Plastic Adjustable Bullet Feet



### FEATURES

- 3" Backsplash
- Stamped Ribbed Drainboard Top
- Includes Drain

MODEL NUMBER	LENGTH	WIDTH
UDB-1218	12"	18-1/4"
UDB-1221	12"	21-1/4"
UDB-1818	18"	18-1/4"
UDB-1821	18"	21-1/4"
UDB-2418	24"	18-1/4"
UDB-2421	24"	21-1/4"
UDB-3018	30"	18-1/4"
UDB-3021	30"	21-1/4"
UDB-3618	36"	18-1/4"
UDB-3621	36"	21-1/4"
UDB-4818	48"	18-1/4"
UDB-4821	48"	21-1/4"

(609) 642 - 8389 | SALES@NBREQUIPMENT.COM | WWW.NBREQUIPMENT.COM

NBR EQUIPMENT, 10 ABEEL ROAD, CRANBURY, NJ 08512

# SPEED RAILS (SINGLE & DOUBLE)

UNDERBAR - SPEED RAILS

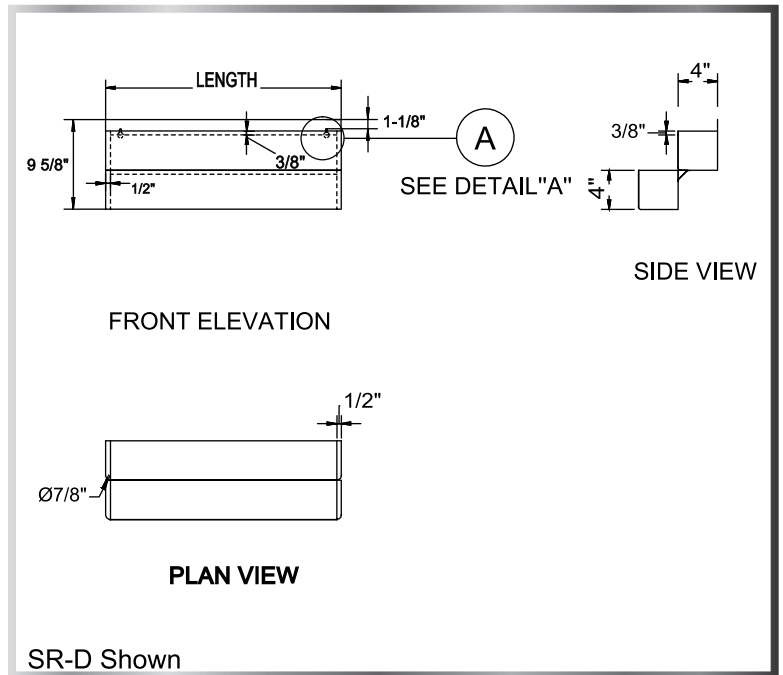


## MATERIALS

- 18 Gauge 304 Stainless Steel; Fabricated

## FEATURES

- Includes Mounting Kit (Keyhole Mount)



MODEL NUMBER	LENGTH
SR-24S	24"
SR-30S	30"
SR-36S	36"
SR-48S	48"
SR-24D	24"
SR-30D	30"
SR-36D	36"
SR-48D	48"

(S) = SINGLE (D) = DOUBLE

(609) 642 - 8389 | SALES@NBREQUIPMENT.COM | WWW.NBREQUIPMENT.COM

NBR EQUIPMENT, 10 ABEEL ROAD, CRANBURY, NJ 08512

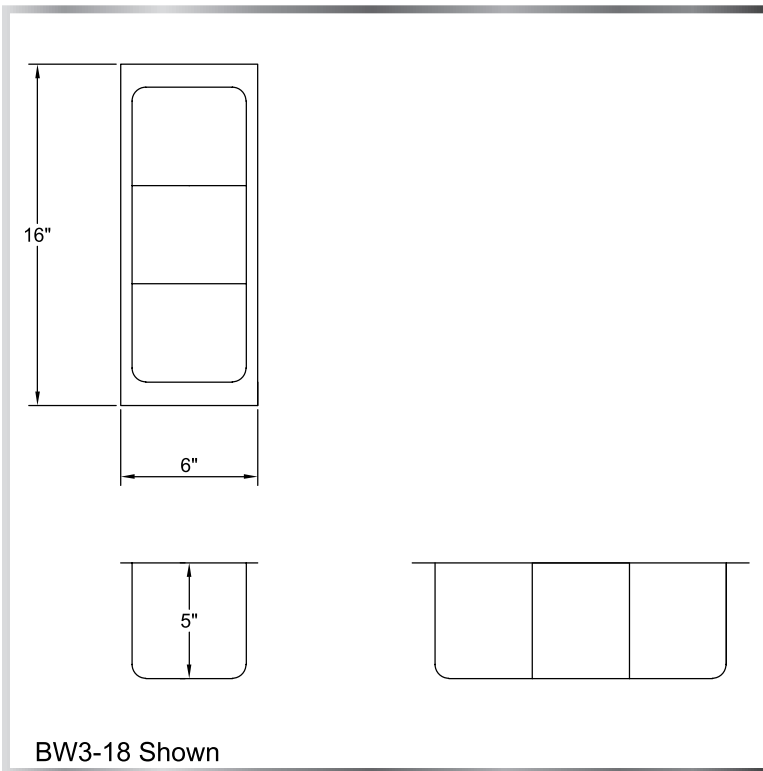
# **BOTTLE WELLS**

## **UNDERBAR - BOTTLE WELLS**



### **FEATURES**

- Fits 18" Or 21" Ice Bins
- BW3 Fits 3 Bottles
- BW4 Fits 4 Bottles



<b>MODEL NUMBER</b>	<b>LENGTH</b>	<b>WIDTH</b>
<b>BW3-18</b>	<b>6"</b>	<b>16"</b>
<b>BW4-21</b>	<b>6"</b>	<b>19"</b>

# TERMS & CONDITIONS

## Terms and Conditions

- Any prices listed within are current NBR-approved List Prices.
- All prices, product specifications, and discounts are subject to change without notice. Prices listed herein do not include Federal Excise, Municipal or other use Tax.
- Orders shipping to an active construction site, limited access area, or residential address are subject to additional charges by the carrier. These charges may be applied after shipment/delivery.
- NBR is not responsible for any damage while in hands of the freight carrier. Inspect immediately for obvious and hidden damage. We suggest you refuse orders mildly/severely damaged. If you accept a damaged delivery, please make note of the damage and extent when signing the Bill of Lading. (For any damage and loss while in transit, promptly file claim against carrier if shipped via Customer Account)
- NBR is not responsible for any delays in delivery that are beyond our control such as bad weather, shortages, delays in transportation, or any other contingencies of similar manner.
- All initial orders from new customers are to be paid in full before the NBR warehouse releases it for shipment. NO EXCEPTIONS.
- Quotes from NBR are good for 30 days, unless otherwise approved by an NBR staff member.

## Payment Terms

- For customers with established NBR Equipment credit standing, payment terms are Net 30 days from the date of invoice. NBR will accept all major credit cards, cash, money orders or checks at the time of order, otherwise you can pay through the invoice emailed to you or send an ACH payment within the 30 days. COD is only available for orders being picked up at NBR's warehouse directly by the customer.
- Any dealer choosing to buy NBR equipment must complete and return a Dealer Authorization Form prior to completing any purchase, please contact [csr@nbrequipment.com](mailto:csr@nbrequipment.com) for the necessary paperwork. Initial orders require full pre-payment before it is released for shipping.
- If paying by credit card, please be aware there will be a 3.5% processing fee applied to your invoice.
- Once an account has had two returned checks for any reason, payment by check will not be accepted. This includes returned electronic payments. A hold will be placed on the account affected until the returned check has been redeemed.
- Checks deposited by NBR Equipment and then returned by the bank for insufficient funds or any other reason will be charged a fee of \$50.00, including any bank fees as applicable, that will be placed on the customer's account, no matter the reason.

## Returned Check Payment Methods

- Cash - pay in person at the NBR Office located in Cranbury, NJ. Obtain a cash register receipt for your records.
- DO NOT MAIL CASH.
- Certified Funds - make cashier's check, money order, or other certified funds payable to NBR Equipment. Include Account name or #, invoice #, and phone number on the face of the check. Deliver in person or mail certified funds to NBR Equipment, 10 Abeel Road, Cranbury, NJ 08512.

## 1-Year Limited Warranty

- NBR warranties this product to be free from defects in material or workmanship for a period of one (1) year following the date of purchase.
- Warranty applies only under conditions of normal use and does not apply to defects which result from negligence, misuse, freight damage, improper installation or accidents.
- Warranty does not include any coverage for loss of business, damages, freight or other miscellaneous expenses incurred due to the defect or in servicing the unit.
- This warranty is made in lieu of all other warranties express or implied and no additional warranties express or implied including one of merchantability or fitness for a particular purpose are given.
- All prices, pictures and descriptions in this and all NBR publications are subject to change without notice. Please contact us within 30 days regarding price discrepancies.

## General Shipping Information

- We reserve the right to ship via carriers of our choice if freight isn't specifically marked or defined on the purchase order.
- We will follow customers routing if possible. Unless specified otherwise, all orders will be shipped Best Way/PPA, a nominal charge will be included.
- Any order valued less than \$100 will carry a \$35 shipping and handling fee.
- All merchandise is shipped in optimal condition and packaged in compliance with I.C.C. regulations. NBR Equipment is not responsible for any freight damage once it leaves our location. For damage or loss in transit, a claim must be filed by the consignee against the carrier.
- Shipper is not responsible for any unauthorized accessorial charges. All charges will be billed back to customer.
- Delivery Appointment Fee: \$50
- Liftgate Service Fee: \$75

## Out of Stock Policy

- Previous Out-of-Stock and Back-Order policies are no longer valid.
- If an item is out of stock in your order, NBR will either ship the order as-complete-as-possible, or we will reach out to you with substitution options.
- If your order is shipped incomplete, you must place a new purchase order for the missing item(s). All orders shipped and invoiced are considered closed.
- If substituting out-of-stock item(s), you must send a revised purchase order reflecting the change(s) to [orders@nbrequipment.com](mailto:orders@nbrequipment.com).
- You can always cancel the item on the order and send a revised purchase order to get everything else shipped ASAP or cancel the order altogether and get a full refund.

## Return Authorization REQUIRED

ALL returns MUST be approved by NBR. NO returns will be accepted, and NO credit will be issued without a completed and approved Return Authorization form from NBR in advance. All Return Authorization requests must be made by email within 30 days of delivery. All approved return merchandise must be returned to NBR's warehouse within 15 days of Return Authorization Form date. Upon review of the form, NBR will determine if the item(s) are eligible for return. All returns due to purchase error on the part of the customer will be additionally charged a minimum 20% restocking fee to be deducted from the refund amount. All restocking fees and return shipping charges are to be assessed and deducted from the refund amount before a credit is issued.

Authorized returns must be received in unused condition (suitable for resale) and item(s) must be in their original packaging. Upon receipt of authorized returned item(s) NBR will inspect the item(s) to determine if unused, new, and in suitable condition for resale. Refunds will be credited to you within 45 days after we receive the returned item(s). IF NBR HAS TO REPACKAGING THE ITEM FOR SALE, THE COST OF PACKAGING WILL BE DEDUCTED FROM THE REFUND. The customer is responsible for all return shipping costs. The customer can arrange for return shipping to NBR but will not be reimbursed for return shipping costs. If NBR arranges for pickup of the item(s) to be returned, a return shipping charge will be deducted from any refund amount before credit is issued.

Special order, cut-to-order, and customized items typically cannot be returned. For special order, cut-to-order, and customized items to be delivered, you may contact a customer service team member at NBR to discuss alternatives or possible arrangements to return to manufacturer. Special order, cut-to-order, and customized items that may be returnable must be in unused condition (suitable for resale) and item(s) must be in original packaging. Note that manufacturer return, and restocking policies and fees may be in addition to and may differ from those of NBR and the customer is entirely responsible for meeting the requirements of any return to the manufacturer.

To request authorization to return item(s), contact a customer service team member at (609) 642-8389. The Return Authorization Form can be sent to you by email or fax.

NOTE: Any items returned to NBR without a completed and approved RMA Form may be refused and credit will not be issued.

(609) 642 - 8389 | [SALES@NBREQUIPMENT.COM](mailto:SALES@NBREQUIPMENT.COM) | [WWW.NBREQUIPMENT.COM](http://WWW.NBREQUIPMENT.COM)

NBR EQUIPMENT, 10 ABEEL ROAD, CRANBURY, NJ 08512



# MODEL NUMBER GLOSSARY

1BSG . . . . .	Page 72	3SG-101410 . . . . .	Page 47	BW3-18. . . . .	Page 171	GRC24-3 . . . . .	Page 162
1SG-162012 . . . . .	Page 31	3SG-101410L15 . . . . .	Page 48	BW4-21. . . . .	Page 171	GY-W2430 . . . . .	Page 141
1SG-162012L18 . . . . .	Page 32	3SG-101410LR15 . . . . .	Page 50	CBBRG. . . . .	Page 127	GY-P74 . . . . .	Page 141
1SG-162012LR18 . . . . .	Page 34	3SG-101410R15 . . . . .	Page 49	CBBRS. . . . .	Page 127	GY-SH . . . . .	Page 141
1SG-162012R18 . . . . .	Page 33	3SG-122012LR12 . . . . .	Page 50	CBSRG. . . . .	Page 127	HK1 . . . . .	Page 126
1SG-181812 . . . . .	Page 31	3SG-141612LR12 . . . . .	Page 50	CDT-24L-16. . . . .	Page 4	HK2 . . . . .	Page 126
1SG-181812L18 . . . . .	Page 32	3SG-151514 . . . . .	Page 47	CDT-24R-16. . . . .	Page 5	HS1-D2-S . . . . .	Page 54
1SG-181812LR18 . . . . .	Page 34	3SG-151514L15 . . . . .	Page 48	CDT-26L . . . . .	Page 6	HS1-W2-LR . . . . .	Page 60
1SG-181812R18 . . . . .	Page 33	3SG-151514LR15 . . . . .	Page 50	CDT-26L-16. . . . .	Page 4	HS1-W2-LR-TD . . . . .	Page 61
1SG-182414 . . . . .	Page 31	3SG-151514R15 . . . . .	Page 49	CDT-26R. . . . .	Page 7	HS2-D1-KB . . . . .	Page 55
1SG-182414L24 . . . . .	Page 32	3SG-151514R24 . . . . .	Page 49	CDT-26R-16. . . . .	Page 5	HS2-D1-LR-KB . . . . .	Page 55
1SG-182414LR24 . . . . .	Page 34	3SG-162012 . . . . .	Page 47	CDT-36L . . . . .	Page 6	HS2-D2-S . . . . .	Page 56
1SG-182414R24 . . . . .	Page 33	3SG-162012L18 . . . . .	Page 48	CDT-36L-16. . . . .	Page 4	HS2-W1 . . . . .	Page 58
1SG-202012 . . . . .	Page 31	3SG-162012LR18 . . . . .	Page 50	CDT-36R. . . . .	Page 7	HS2-W1-KB . . . . .	Page 57
1SG-242414 . . . . .	Page 31	3SG-162012R18 . . . . .	Page 49	CDT-36R-16. . . . .	Page 5	HS2-W1-LR-KB . . . . .	Page 57
1SG-242414L24 . . . . .	Page 32	3SG-162014LR18 . . . . .	Page 50	CDT-48L . . . . .	Page 6	HS2-W1-PD . . . . .	Page 63
1SG-242414LR24 . . . . .	Page 34	3SG-181812 . . . . .	Page 47	CDT-48L-16. . . . .	Page 4	HS2-W2 . . . . .	Page 59
1SG-242414R24 . . . . .	Page 33	3SG-181812L18 . . . . .	Page 48	CDT-48R. . . . .	Page 7	HS2-W2-4-TD . . . . .	Page 62
1SS-162014 . . . . .	Page 27	3SG-181812LR18 . . . . .	Page 50	CDT-48R-16. . . . .	Page 5	HS2-W2-LR . . . . .	Page 59
1SS-162014L18 . . . . .	Page 28	3SG-181812R18 . . . . .	Page 49	CDT-60L . . . . .	Page 6	HUSC-2025 . . . . .	Page 65
1SS-162014LR18 . . . . .	Page 30	3SG-181814LR18 . . . . .	Page 50	CDT-60L-16. . . . .	Page 4	IB-XXXX . . . . .	Page 157
1SS-162014R18 . . . . .	Page 29	3SG-181814LR24 . . . . .	Page 50	CDT-60R. . . . .	Page 7	IBC-XXXXC10 . . . . .	Page 159
1SS-181814 . . . . .	Page 27	3SG-182414L24 . . . . .	Page 48	CDT-60R-16. . . . .	Page 5	IBC-XXXXC7 . . . . .	Page 158
1SS-181814L18 . . . . .	Page 28	3SG-182414LR18 . . . . .	Page 50	CDT-72L . . . . .	Page 6	IBM-XX18 . . . . .	Page 160
1SS-181814LR18 . . . . .	Page 30	3SG-182414LR24 . . . . .	Page 50	CDT-72L-16. . . . .	Page 4	LC-G . . . . .	Page 126
1SS-181814R18 . . . . .	Page 29	3SG-182414R24 . . . . .	Page 49	CDT-72R. . . . .	Page 7	LC-G4 . . . . .	Page 126
1SS-182414 . . . . .	Page 27	3SG-202012LR18 . . . . .	Page 50	CDT-72R-16. . . . .	Page 5	LC-G6 . . . . .	Page 126
1SS-182414L18 . . . . .	Page 28	3SG-202014LR24 . . . . .	Page 50	CDT-96L-16. . . . .	Page 4	LC-S . . . . .	Page 126
1SS-182414L24 . . . . .	Page 28	3SG-203012LR20 . . . . .	Page 50	CDT-96R-16. . . . .	Page 5	LC-S4 . . . . .	Page 126
1SS-182414LR18 . . . . .	Page 30	3SG-203014LR24 . . . . .	Page 50	CGI . . . . .	Page 140	LC-S6 . . . . .	Page 126
1SS-182414LR24 . . . . .	Page 30	3SG-242414 . . . . .	Page 47	CGO . . . . .	Page 140	LDC-1821 . . . . .	Page 163
1SS-182414R18 . . . . .	Page 29	3SG-242414L24 . . . . .	Page 48	CMPR . . . . .	Page 138	LDC-2421 . . . . .	Page 163
1SS-182414R24 . . . . .	Page 29	3SG-242414LR24 . . . . .	Page 50	CRG . . . . .	Page 127	LDC-3021 . . . . .	Page 163
1SS-242414 . . . . .	Page 27	3SG-242414R24 . . . . .	Page 49	CRS. . . . .	Page 127	LD-XX18 . . . . .	Page 164
1SS-242414L24 . . . . .	Page 28	3SS-143114LR18 . . . . .	Page 46	DC. . . . .	Page 121	LD-XX21 . . . . .	Page 164
1SS-242414LR24 . . . . .	Page 30	3SS-162014 . . . . .	Page 43	DI-1-091106STD . . . . .	Page 66	LS-1 . . . . .	Page 125
1SS-242414R24 . . . . .	Page 29	3SS-162014L18 . . . . .	Page 44	DI-1-091106TD . . . . .	Page 66	LS-G . . . . .	Page 125
2BSG . . . . .	Page 73	3SS-162014LR18 . . . . .	Page 46	DI-1-101405LR . . . . .	Page 67	LS-GP . . . . .	Page 125
2SG-162012 . . . . .	Page 39	3SS-162014LR24 . . . . .	Page 46	DI-1-101410 . . . . .	Page 67	LSM-S . . . . .	Page 125
2SG-162012L18 . . . . .	Page 40	3SS-162014LR36 . . . . .	Page 46	DI-1-101410LR . . . . .	Page 67	LS-S . . . . .	Page 125
2SG-162012LR18 . . . . .	Page 42	3SS-162014R18 . . . . .	Page 45	DI-1-201608 . . . . .	Page 67	LS-SP . . . . .	Page 125
2SG-162012R18 . . . . .	Page 41	3SS-181814 . . . . .	Page 43	DI-1-201612 . . . . .	Page 67	LT-G . . . . .	Page 127
2SG-181812 . . . . .	Page 39	3SS-181814L18 . . . . .	Page 44	DI-1-201612 . . . . .	Page 67	LT-G4 . . . . .	Page 127
2SG-181812L18 . . . . .	Page 40	3SS-181814LR18 . . . . .	Page 46	DI-2-101410 . . . . .	Page 68	LT-S . . . . .	Page 127
2SG-181812LR18 . . . . .	Page 42	3SS-181814R18 . . . . .	Page 45	DI-2-141612 . . . . .	Page 68	LT-S4 . . . . .	Page 127
2SG-181812R18 . . . . .	Page 41	3SS-182414 . . . . .	Page 43	DI-2-201612 . . . . .	Page 68	MHS-26 . . . . .	Page 64
2SG-202012LR18 . . . . .	Page 42	3SS-182414L18 . . . . .	Page 44	DI-3-101410 . . . . .	Page 69	MOP-162006 . . . . .	Page 22
2SG-242414 . . . . .	Page 39	3SS-182414LR18 . . . . .	Page 46	DI-3-162012 . . . . .	Page 69	MOP-162012 . . . . .	Page 22
2SG-242414L24 . . . . .	Page 40	3SS-182414LR24 . . . . .	Page 46	DIB-1218 . . . . .	Page 153	MOP-242406 . . . . .	Page 22
2SG-242414LR24 . . . . .	Page 42	3SS-182414R18 . . . . .	Page 45	DIB-1821-WS . . . . .	Page 156	MOP-242412 . . . . .	Page 22
2SG-242414R24 . . . . .	Page 41	3SS-203014 . . . . .	Page 43	DIB-2118-WS . . . . .	Page 155	MOP-282012 . . . . .	Page 22
2SS-162014 . . . . .	Page 35	3SS-203014L18 . . . . .	Page 44	DIB-2-2118 . . . . .	Page 154	MSC-2522 . . . . .	Page 24
2SS-162014L18 . . . . .	Page 36	3SS-203014LR20 . . . . .	Page 46	DIB-2218 . . . . .	Page 153	MSC-4822L . . . . .	Page 25
2SS-162014LR18 . . . . .	Page 38	3SS-203014LR24 . . . . .	Page 46	DIB-2818 . . . . .	Page 153	MSC-4822R . . . . .	Page 25
2SS-162014R18 . . . . .	Page 37	3SS-203014LR30 . . . . .	Page 46	DIB-3418 . . . . .	Page 153	MSF-S24L . . . . .	Page 23
2SS-181814 . . . . .	Page 35	3SS-203014R18 . . . . .	Page 45	DTU. . . . .	Page 16	MSF-S24LR . . . . .	Page 23
2SS-181814L18 . . . . .	Page 36	3SS-242414 . . . . .	Page 43	ES-5-PU-B . . . . .	Page 125	MSF-S24R . . . . .	Page 23
2SS-181814LR18 . . . . .	Page 38	3SS-242414L18 . . . . .	Page 44	ES-5-PU-B-TLB . . . . .	Page 125	MSG . . . . .	Page 117
2SS-181814R18 . . . . .	Page 37	3SS-242414L24 . . . . .	Page 44	ESG . . . . .	Page 115	MSS . . . . .	Page 116
2SS-182414 . . . . .	Page 35	3SS-242414LR24 . . . . .	Page 46	ESG-7230 . . . . .	Page 115	MSS-3030UR . . . . .	Page 118
2SS-182414L18 . . . . .	Page 36	3SS-242414R18 . . . . .	Page 45	ESS . . . . .	Page 114	MWS . . . . .	Page 139
2SS-182414LR18 . . . . .	Page 38	3SS-242414R24 . . . . .	Page 45	ESS-7230 . . . . .	Page 114	P2D1-PU . . . . .	Page 80
2SS-182414R18 . . . . .	Page 37	3TP-5-PU-B. . . . .	Page 125	F-HF . . . . .	Page 64	P2D1S10-PU . . . . .	Page 80
2SS-242414 . . . . .	Page 35	3TP-5-PU-B-TLB . . . . .	Page 125	FT-G . . . . .	Page 26	P2D1S12-PU . . . . .	Page 80
2SS-242414L24 . . . . .	Page 36	4SG-162014LR18. . . . .	Page 52	FT-RG . . . . .	Page 126	P2SV . . . . .	Page 77
2SS-242414LR24 . . . . .	Page 38	4SS-182414LR18 . . . . .	Page 51	FT-RP . . . . .	Page 125	P3W4S3G . . . . .	Page 78
2SS-242414R24 . . . . .	Page 37	ATS6 . . . . .	Page 103	FT-RS . . . . .	Page 126	P3W4S5G . . . . .	Page 78
3BSG . . . . .	Page 74	BDD. . . . .	Page 75	FT-RSF . . . . .	Page 125	P3W4S8G . . . . .	Page 78
3CSG-181814LR18 . . . . .	Page 53	BR-1 . . . . .	Page 126	FT-RSFH . . . . .	Page 125	P3W4S6-SL . . . . .	Page 78
3CSG-181814LR24 . . . . .	Page 53	BR-2. . . . .	Page 126	FT-RSP . . . . .	Page 125	P3W4S8-SL . . . . .	Page 78
3CSG-242414LR24 . . . . .	Page 53	BR-3. . . . .	Page 126	GRC24-2 . . . . .	Page 161	P3W4S10-SL . . . . .	Page 78

# MODEL NUMBER GLOSSARY

P3W4S12-SL.....	Page 78	PR2-8 . . . . .	Page 137	SDT-36L-16 . . . . .	Page 8	TCBC-3624R5-1410 ....	Page 120
P3W4S14-SL.....	Page 78	PS-1224 . . . . .	Page 136	SDT-36R. . . . .	Page 11	TCBC-4830R5 . . . . .	Page 119
P3W4S16-SL.....	Page 78	PS-1236 . . . . .	Page 136	SDT-36R-16 . . . . .	Page 9	TDR-1820 . . . . .	Page 124
P3W4S3G-SL.....	Page 78	PS-1248 . . . . .	Page 136	SDT3C-202012L20. . . . .	Page 14	TDR-1820L . . . . .	Page 124
P3W4S5G-SL.....	Page 78	PS-1260 . . . . .	Page 136	SDT3C-202012R20. . . . .	Page 14	TDR-2015 . . . . .	Page 124
P3W4S8G-SL.....	Page 78	PS-1272 . . . . .	Page 136	SDT-48L. . . . .	Page 10	TDR-2015L . . . . .	Page 124
P3D4S6 . . . . .	Page 78	PSMS-1248D . . . . .	Page 129	SDT-48L-16 . . . . .	Page 8	TDR-2020 . . . . .	Page 124
P3D4S8 . . . . .	Page 78	PSMS-1248S . . . . .	Page 128	SDT-48R. . . . .	Page 11	TDR-2020L . . . . .	Page 124
P3D4S10 . . . . .	Page 78	PSMS-1260D . . . . .	Page 129	SDT-48R-16 . . . . .	Page 9	TDU-26 . . . . .	Page 64
P3D4S12 . . . . .	Page 78	PSMS-1260S . . . . .	Page 128	SDT-60L . . . . .	Page 10	TG-2424 . . . . .	Page 87
P3D4S14 . . . . .	Page 78	PSMS-1272D . . . . .	Page 129	SDT-60L-16 . . . . .	Page 8	TG-2424R . . . . .	Page 90
P3D4S16 . . . . .	Page 78	PSMS-1272S . . . . .	Page 128	SDT-60R . . . . .	Page 11	TG-2424R5 . . . . .	Page 94
P3D4S3G . . . . .	Page 78	PSMS-1848D . . . . .	Page 129	SDT-60R-16 . . . . .	Page 9	TG-2424R5-X . . . . .	Page 102
P3D4S5G . . . . .	Page 78	PSMS-1848S . . . . .	Page 128	SDT-72L . . . . .	Page 10	TG-2424R-X . . . . .	Page 101
P3D4S8G . . . . .	Page 78	PSMS-1860D . . . . .	Page 129	SDT-72L-16 . . . . .	Page 8	TG-2424-X . . . . .	Page 100
P3D8S6 . . . . .	Page 79	PSMS-1860S . . . . .	Page 128	SDT-72R . . . . .	Page 11	TG-3024 . . . . .	Page 87
P3D8S8 . . . . .	Page 79	PSMS-1872D . . . . .	Page 129	SDT-72R-16. . . . .	Page 9	TG-3024R . . . . .	Page 90
P3D8S10 . . . . .	Page 79	PSMS-1872S . . . . .	Page 128	SKS-2020 . . . . .	Page 20	TG-3024R5 . . . . .	Page 94
P3D8S12 . . . . .	Page 79	PT-1 . . . . .	Page 81	SLB-2020 . . . . .	Page 17	TG-3024R5-X . . . . .	Page 102
P3D8S14 . . . . .	Page 79	PTG-1620L4 . . . . .	Page 106	SP-10 . . . . .	Page 81	TG-3024R-X . . . . .	Page 101
P3D8S16 . . . . .	Page 79	PTG-1620L5 . . . . .	Page 106	SP-75 . . . . .	Page 81	TG-3024-X . . . . .	Page 100
P3W8 . . . . .	Page 77	PTG-1620L6 . . . . .	Page 106	SR-24D . . . . .	Page 170	TG-3030 . . . . .	Page 87
P3W8-PU . . . . .	Page 77	PTG-1620R4 . . . . .	Page 107	SR-24S . . . . .	Page 170	TG-3030R . . . . .	Page 90
P3W8S10 . . . . .	Page 77	PTG-1620R5 . . . . .	Page 107	SR-30D . . . . .	Page 170	TG-3030R5 . . . . .	Page 94
P3W8S10-PU . . . . .	Page 77	PTG-1620R6 . . . . .	Page 107	SR-30S . . . . .	Page 170	TG-3030R5-X . . . . .	Page 102
P3W8S12 . . . . .	Page 77	PTS-1620L4 . . . . .	Page 104	SR-36S . . . . .	Page 170	TG-3030R-X . . . . .	Page 101
P3W8S12-PU . . . . .	Page 77	PTS-1620L5 . . . . .	Page 104	SR-36D . . . . .	Page 170	TG-3030-X . . . . .	Page 100
P3W8S14 . . . . .	Page 77	PTS-1620L6 . . . . .	Page 104	SR-48D . . . . .	Page 170	TG-3618 . . . . .	Page 87
P3W8S14-PU . . . . .	Page 77	PTS-1620R4 . . . . .	Page 105	SR-48S . . . . .	Page 170	TG-3618R . . . . .	Page 90
P3W8S16 . . . . .	Page 77	PTS-1620R5 . . . . .	Page 105	SSR-21 . . . . .	Page 18	TG-3624 . . . . .	Page 87
P3W8S16-PU . . . . .	Page 77	PTS-1620R6 . . . . .	Page 105	SSR-42 . . . . .	Page 18	TG-3624R . . . . .	Page 90
P3W8S6 . . . . .	Page 77	RSS-18 . . . . .	Page 76	SSR-63 . . . . .	Page 18	TG-3624R5 . . . . .	Page 94
P3W8S6-PU . . . . .	Page 77	RSS-20 . . . . .	Page 76	STN-11B . . . . .	Page 81	TG-3624R5-X . . . . .	Page 102
P3W8S8 . . . . .	Page 77	RSS-24 . . . . .	Page 76	STN-11C . . . . .	Page 81	TG-3624R-X . . . . .	Page 101
P3W8S8-PU . . . . .	Page 77	RSS-30 . . . . .	Page 76	STN-12B . . . . .	Page 81	TG-3624-X . . . . .	Page 100
P4A . . . . .	Page 79	SB-111511-16 . . . . .	Page 71	STN-12C . . . . .	Page 81	TG-3630 . . . . .	Page 87
P5F1-DS3G . . . . .	Page 80	SB-141008-14 . . . . .	Page 70	STN-2 . . . . .	Page 81	TG-3630R . . . . .	Page 90
P5F1-WS3G . . . . .	Page 80	SB-161610-16 . . . . .	Page 71	STN-3 . . . . .	Page 81	TG-3630R5 . . . . .	Page 94
P5F2-DS3G . . . . .	Page 80	SB-161812-14 . . . . .	Page 70	STN-4B . . . . .	Page 81	TG-3630R5-X . . . . .	Page 102
P5F2-WS3G . . . . .	Page 80	SB-161812-16 . . . . .	Page 71	SVS-2016 . . . . .	Page 21	TG-3630R-X . . . . .	Page 101
P5K1-DS3G . . . . .	Page 80	SB-161814-16 . . . . .	Page 71	TB-18 . . . . .	Page 26	TG-3630-X . . . . .	Page 100
P5K1-WS3G . . . . .	Page 80	SB-162012-16 . . . . .	Page 71	TB-24 . . . . .	Page 26	TG-4818 . . . . .	Page 87
P5K2-DS3G . . . . .	Page 80	SB-162014-14 . . . . .	Page 70	TB-26 . . . . .	Page 26	TG-4818R . . . . .	Page 90
P5K2-WS3G . . . . .	Page 80	SB-181812-16 . . . . .	Page 71	TCB-3624S . . . . .	Page 109	TG-4824 . . . . .	Page 87
P5LD1 . . . . .	Page 82	SB-182412-16 . . . . .	Page 71	TCB-3630R5S . . . . .	Page 111	TG-4824R . . . . .	Page 90
P5LD2 . . . . .	Page 82	SB-182414-14 . . . . .	Page 70	TCB-3630S . . . . .	Page 109	TG-4824R5 . . . . .	Page 94
P5LDF . . . . .	Page 82	SB-182414-16 . . . . .	Page 71	TCB-4824 . . . . .	Page 108	TG-4824R5-X . . . . .	Page 102
P5TD1 . . . . .	Page 82	SB-202008-14 . . . . .	Page 70	TCB-4824R5 . . . . .	Page 110	TG-4824R-X . . . . .	Page 101
P5TD2 . . . . .	Page 82	SB-202008-16 . . . . .	Page 71	TCB-4824R5S . . . . .	Page 111	TG-4824-X . . . . .	Page 100
P5TDF . . . . .	Page 82	SB-202010-14 . . . . .	Page 70	TCB-4824S . . . . .	Page 109	TG-4830 . . . . .	Page 87
P6V1 . . . . .	Page 79	SB-202012-14 . . . . .	Page 70	TCB-4830 . . . . .	Page 108	TG-4830R . . . . .	Page 90
P6H44 . . . . .	Page 79	SB-202012-16 . . . . .	Page 71	TCB-4830R5 . . . . .	Page 110	TG-4830R5 . . . . .	Page 94
P7DK . . . . .	Page 79	SB-202014-14 . . . . .	Page 70	TCB-4830R5S . . . . .	Page 111	TG-4830R5-X . . . . .	Page 102
P7TDB . . . . .	Page 82	SB-202812-16 . . . . .	Page 71	TCB-4830S . . . . .	Page 109	TG-4830R-X . . . . .	Page 101
P7WH . . . . .	Page 79	SB-242412-16 . . . . .	Page 71	TCB-6024 . . . . .	Page 108	TG-4830-X . . . . .	Page 100
P7WK90 . . . . .	Page 79	SB-242414-14 . . . . .	Page 70	TCB-6024R5 . . . . .	Page 110	TG-6018 . . . . .	Page 87
PAN-2015 . . . . .	Page 124	SB-242414-16 . . . . .	Page 71	TCB-6024R5S . . . . .	Page 111	TG-6018R . . . . .	Page 90
PAN-2020 . . . . .	Page 124	SCR-1014H . . . . .	Page 76	TCB-6024S . . . . .	Page 109	TG-6024 . . . . .	Page 87
PB-1824 . . . . .	Page 17	SCR-1620 . . . . .	Page 76	TCB-6030 . . . . .	Page 108	TG-6024R . . . . .	Page 90
PB-2020 . . . . .	Page 17	SCR-1818 . . . . .	Page 76	TCB-6030R5 . . . . .	Page 110	TG-6024R5 . . . . .	Page 94
PB-2030 . . . . .	Page 17	SCR-1824 . . . . .	Page 76	TCB-6030R5S . . . . .	Page 111	TG-6024R5-X . . . . .	Page 102
PB-2424 . . . . .	Page 17	SCR-2030 . . . . .	Page 76	TCB-6030S . . . . .	Page 109	TG-6024R-X . . . . .	Page 101
PR-TXX . . . . .	Page 136	SCR-2424 . . . . .	Page 76	TCB-7224 . . . . .	Page 108	TG-6024-X . . . . .	Page 100
PR1-4 . . . . .	Page 137	SD-1 . . . . .	Page 125	TCB-7224R5 . . . . .	Page 110	TG-6030 . . . . .	Page 87
PR1-5 . . . . .	Page 137	SDT-26L . . . . .	Page 10	TCB-7224R5S . . . . .	Page 111	TG-6030R . . . . .	Page 90
PR1-6 . . . . .	Page 137	SDT-26L-16 . . . . .	Page 8	TCB-7224S . . . . .	Page 109	TG-6030R5 . . . . .	Page 94
PR1-8 . . . . .	Page 137	SDT-26R . . . . .	Page 11	TCB-7230 . . . . .	Page 108	TG-6030R5-X . . . . .	Page 102
PR2-3 . . . . .	Page 137	SDT-26R-16 . . . . .	Page 9	TCB-7230R5 . . . . .	Page 110	TG-6030R-X . . . . .	Page 101
PR2-4 . . . . .	Page 137	SDT3-202012L20. . . . .	Page 15	TCB-7230R5S . . . . .	Page 111	TG-6030-X . . . . .	Page 100
PR2-5 . . . . .	Page 137	SDT3-202012R20. . . . .	Page 15	TCB-7230S . . . . .	Page 109	TG-7218 . . . . .	Page 87
PR2-6 . . . . .	Page 137	SDT-36L . . . . .	Page 10	TCBC-3624R5 . . . . .	Page 119	TG-7218R . . . . .	Page 90

# MODEL NUMBER GLOSSARY

TG-7224	Page 87	TS-2424R5-X	Page 97	TS-6030	Page 84
TG-7224R	Page 90	TS-2424R-X	Page 96	TS-6030R	Page 88
TG-7224R5	Page 94	TS-2424-X	Page 95	TS-6030R5	Page 91
TG-7224R5-X	Page 102	TS-3018	Page 84	TS-6030R5-X	Page 97
TG-7224R-X	Page 101	TS-3018R	Page 88	TS-6030R-X	Page 96
TG-7224-X	Page 100	TS-3024	Page 84	TS-6030-X	Page 95
TG-7230	Page 87	TS-3024R	Page 88	TS6-2424	Page 85
TG-7230R	Page 90	TS-3024R5	Page 91	TS6-2424R5	Page 92
TG-7230R5	Page 94	TS-3024R5-X	Page 97	TS6-2424R5-X	Page 99
TG-7230R5-X	Page 102	TS-3024R-X	Page 96	TS6-2424-X	Page 98
TG-7230R-X	Page 101	TS-3024-X	Page 95	TS6-3024	Page 85
TG-7230-X	Page 100	TS-3030	Page 84	TS6-3024R5	Page 92
TG-8424	Page 87	TS-3030R	Page 88	TS6-3024R5-X	Page 99
TG-8424R	Page 90	TS-3030R5	Page 91	TS6-3024-X	Page 98
TG-8424R5	Page 94	TS-3030R5-X	Page 97	TS6-3030	Page 85
TG-8424R5-X	Page 102	TS-3030R-X	Page 96	TS6-3030R5	Page 92
TG-8424R-X	Page 101	TS-3030-X	Page 95	TS6-3030R5-X	Page 99
TG-8424-X	Page 100	TS-3618	Page 84	TS6-3030-X	Page 98
TG-8430	Page 87	TS-3618R	Page 88	TS6-3624	Page 85
TG-8430R	Page 90	TS-3624	Page 84	TS6-3624R5	Page 92
TG-8430R5	Page 94	TS-3624R	Page 88	TS6-3624R5-X	Page 99
TG-8430R5-X	Page 102	TS-3624R5	Page 91	TS6-3624-X	Page 98
TG-8430R-X	Page 101	TS-3624R5-X	Page 97	TS6-3630	Page 85
TG-8430-X	Page 100	TS-3624R-X	Page 96	TS6-3630R5	Page 92
TG-9618	Page 87	TS-3624-X	Page 95	TS6-3630R5-X	Page 99
TG-9618R	Page 90	TS-3630	Page 84	TS6-3630-X	Page 98
TG-9624	Page 87	TS-3630R	Page 88	TS6-4824	Page 85
TG-9624R	Page 90	TS-3630R5	Page 91	TS6-4824R5	Page 92
TG-9624R5	Page 94	TS-3630R5-X	Page 97	TS6-4824R5-X	Page 99
TG-9624R5-X	Page 102	TS-3630R-X	Page 96	TS6-4824-X	Page 98
TG-9624R-X	Page 101	TS-3630-X	Page 95	TS6-4830	Page 85
TG-9624-X	Page 100	TS4-4836	Page 86	TS6-4830R5	Page 92
TG-9630	Page 87	TS4-4836R	Page 89	TS6-4830R5-X	Page 99
TG-9630R	Page 90	TS4-4836R5	Page 93	TS6-4830-X	Page 98
TG-9630R5	Page 94	TS4-4836R5-X	Page 93	TS6-6024	Page 85
TG-9630R5-X	Page 102	TS4-4836R-X	Page 89	TS6-6024R5	Page 92
TG-9630R-X	Page 101	TS4-4836-X	Page 86	TS6-6024R5-X	Page 99
TG-9630-X	Page 100	TS4-6036	Page 86	TS6-6024-X	Page 98
TG-F	Page 113	TS4-6036R	Page 89	TS6-6030	Page 85
TMS-1236D	Page 131	TS4-6036R5	Page 93	TS6-6030R5	Page 92
TMS-1236S	Page 130	TS4-6036R5-X	Page 93	TS6-6030R5-X	Page 99
TMS-1248D	Page 131	TS4-6036R-X	Page 89	TS6-6030-X	Page 98
TMS-1248S	Page 130	TS4-6036-X	Page 86	TS6-7224	Page 85
TMS-1260D	Page 131	TS4-7236	Page 86	TS6-7224R5	Page 92
TMS-1260S	Page 130	TS4-7236R	Page 89	TS6-7224R5-X	Page 99
TMS-1272D	Page 131	TS4-7236R5	Page 93	TS6-7224-X	Page 98
TMS-1272S	Page 130	TS4-7236R5-X	Page 93	TS6-7230	Page 85
TMS-1296D	Page 131	TS4-7236R-X	Page 89	TS6-7230R5	Page 92
TMS-1296S	Page 130	TS4-7236-X	Page 86	TS6-7230R5-X	Page 99
TMS-1836D	Page 131	TS-4818	Page 84	TS6-7230-X	Page 98
TMS-1836S	Page 130	TS-4818R	Page 88	TS6-8424	Page 85
TMS-1848D	Page 131	TS-4824	Page 84	TS6-8424R5	Page 92
TMS-1848S	Page 130	TS-4824R	Page 88	TS6-8424R5-X	Page 99
TMS-1860D	Page 131	TS-4824R5	Page 91	TS6-8424-X	Page 98
TMS-1860S	Page 130	TS-4824R5-X	Page 97	TS6-8430	Page 85
TMS-1872D	Page 131	TS-4824R-X	Page 96	TS6-8430R5	Page 92
TMS-1872S	Page 130	TS-4824-X	Page 95	TS6-8430R5-X	Page 99
TMS-1896D	Page 131	TS-4830	Page 84	TS6-8430-X	Page 98
TMS-1896S	Page 130	TS-4830R	Page 88	TS6-9624	Page 85
TP-12	Page 26	TS-4830R5	Page 91	TS6-9624R5	Page 92
TP-18	Page 26	TS-4830R5-X	Page 97	TS6-9624R5-X	Page 99
TP-24	Page 26	TS-4830R-X	Page 96	TS6-9624-X	Page 98
TP-36	Page 26	TS-4830-X	Page 95	TS6-9630	Page 85
TP-48	Page 26	TS-6018	Page 84	TS6-9630R5	Page 92
TP-60	Page 26	TS-6018R	Page 88	TS6-9630R5-X	Page 99
TP-72	Page 26	TS-6024	Page 84	TS6-9630-X	Page 98
TS-2418	Page 84	TS-6024R	Page 88	TS-7218	Page 84
TS-2418R	Page 88	TS-6024R5	Page 91	TS-7218R	Page 88
TS-2424	Page 84	TS-6024R5-X	Page 97	TS-7224	Page 84
TS-2424R	Page 88	TS-6024R-X	Page 96	TS-7224R	Page 88
TS-2424R5	Page 91	TS-6024-X	Page 95	TS-7224R5	Page 91



# MODEL NUMBER GLOSSARY

TS-7224R5-X . . . . .	Page 97	UD-3-101410-36 . . . . .	Page 149	WCH-1530 . . . . .	Page 123
TS-7224R-X . . . . .	Page 96	UD-3-101410-48L . . . . .	Page 150	WCH-1536 . . . . .	Page 123
TS-7224-X . . . . .	Page 95	UD-3-101410-48R . . . . .	Page 151	WCH-1548 . . . . .	Page 123
TS-7230 . . . . .	Page 84	UD-3-101410-60L . . . . .	Page 150	WCO-1524 . . . . .	Page 122
TS-7230R . . . . .	Page 88	UD-3-101410-60LR . . . . .	Page 152	WCO-1530 . . . . .	Page 122
TS-7230R5 . . . . .	Page 91	UD-3-101410-60R . . . . .	Page 151	WCO-1536 . . . . .	Page 122
TS-7230R5-X . . . . .	Page 97	UD-3-101410-72LR . . . . .	Page 152	WCO-1548 . . . . .	Page 122
TS-7230R-X . . . . .	Page 96	UD-3-101410-84LR . . . . .	Page 152	WS-1224 . . . . .	Page 132
TS-7230-X . . . . .	Page 95	UD-3-101410-96LR . . . . .	Page 152	WS-1224E . . . . .	Page 133
TS-8418 . . . . .	Page 84	UD-4-101410-48 . . . . .	Page 149	WS-1230 . . . . .	Page 132
TS-8418R . . . . .	Page 88	UD-4-101410-72LR . . . . .	Page 152	WS-1236 . . . . .	Page 132
TS-8424 . . . . .	Page 84	UD-4-101410-84LR . . . . .	Page 152	WS-1236E . . . . .	Page 133
TS-8424R . . . . .	Page 88	UD-4-101410-96LR . . . . .	Page 152	WS-1248 . . . . .	Page 132
TS-8424R5 . . . . .	Page 91	UDB . . . . .	Page 169	WS-1248E . . . . .	Page 133
TS-8424R5-X . . . . .	Page 97	UDT-50L . . . . .	Page 12	WS-1260 . . . . .	Page 132
TS-8424R-X . . . . .	Page 96	UDT-50R . . . . .	Page 13	WS-1260E . . . . .	Page 133
TS-8424-X . . . . .	Page 95	UDT-60L . . . . .	Page 12	WS-1272 . . . . .	Page 132
TS-8430 . . . . .	Page 84	UDT-60R . . . . .	Page 13	WS-1272E . . . . .	Page 133
TS-8430R . . . . .	Page 88	UMRDS-1424 . . . . .	Page 167	WS-1284 . . . . .	Page 132
TS-8430R5 . . . . .	Page 91	UMRS-1224 . . . . .	Page 168	WS-1284E . . . . .	Page 133
TS-8430R5-X . . . . .	Page 97	UW-1-1012-1218-TDV . . . . .	Page 144	WS-1296 . . . . .	Page 132
TS-8430R-X . . . . .	Page 96	UW-1-1012-1221-TDV . . . . .	Page 144	WS-1296E . . . . .	Page 133
TS-8430-X . . . . .	Page 95	UW-1-1012-1518-TDV . . . . .	Page 144	WS-1624 . . . . .	Page 132
TS-9618 . . . . .	Page 84	UW-1-1012-1521-TDV . . . . .	Page 144	WS-1624E . . . . .	Page 133
TS-9618R . . . . .	Page 88	UW-1-1014-1218V . . . . .	Page 143	WS-1630 . . . . .	Page 132
TS-9624 . . . . .	Page 84	UW-1-1014-1418V . . . . .	Page 143	WS-1636 . . . . .	Page 132
TS-9624R . . . . .	Page 88	UW-1-1014-2418-RH . . . . .	Page 166	WS-1636E . . . . .	Page 133
TS-9624R5 . . . . .	Page 91	UW-1-1410-1818-H . . . . .	Page 165	WS-1648 . . . . .	Page 132
TS-9624R5-X . . . . .	Page 97	UW-1-1410-1821-H . . . . .	Page 165	WS-1648E . . . . .	Page 133
TS-9624R-X . . . . .	Page 96	UW-2-101410-24 . . . . .	Page 145	WS-1660 . . . . .	Page 132
TS-9624-X . . . . .	Page 95	UW-2-101410-36L . . . . .	Page 146	WS-1660E . . . . .	Page 133
TS-9630 . . . . .	Page 84	UW-2-101410-36R . . . . .	Page 147	WS-1672 . . . . .	Page 132
TS-9630R . . . . .	Page 88	UW-2-101410-48L . . . . .	Page 146	WS-1672E . . . . .	Page 133
TS-9630R5 . . . . .	Page 91	UW-2-101410-48LR . . . . .	Page 148	WS-1684 . . . . .	Page 132
TS-9630R5-X . . . . .	Page 97	UW-2-101410-48R . . . . .	Page 147	WS-1684E . . . . .	Page 133
TS-9630R-X . . . . .	Page 96	UW-3-101410-36 . . . . .	Page 145	WS-1696 . . . . .	Page 132
TS-9630-X . . . . .	Page 95	UW-3-101410-48L . . . . .	Page 146	WS-1696E . . . . .	Page 133
TS-F . . . . .	Page 112	UW-3-101410-48R . . . . .	Page 147	WS-16LS . . . . .	Page 135
TSS-22 . . . . .	Page 19	UW-3-101410-60L . . . . .	Page 146	WS-16LSR . . . . .	Page 135
TSS-42 . . . . .	Page 19	UW-3-101410-60LR . . . . .	Page 148	WS-18LS . . . . .	Page 135
TSS-63 . . . . .	Page 19	UW-3-101410-60R . . . . .	Page 147	WS-18LSR . . . . .	Page 135
UD-1-1014-1221V . . . . .	Page 142	UW-3-101410-72LR . . . . .	Page 148	WS-24LS . . . . .	Page 135
UD-1-1014-1421V . . . . .	Page 142	UW-3-101410-84LR . . . . .	Page 148	WS-24LSR . . . . .	Page 135
UD-2-101410-24 . . . . .	Page 149	UW-3-101410-96LR . . . . .	Page 148	WS-36LS . . . . .	Page 135
UD-2-101410-36L . . . . .	Page 150	UW-4-101410-48 . . . . .	Page 145	WS-36LSR . . . . .	Page 135
UD-2-101410-36R . . . . .	Page 151	UW-4-101410-72LR . . . . .	Page 148	WS-48LS . . . . .	Page 135
UD-2-101410-48L . . . . .	Page 150	UW-4-101410-84LR . . . . .	Page 148	WS-48LSR . . . . .	Page 135
UD-2-101410-48LR . . . . .	Page 152	UW-4-101410-96LR . . . . .	Page 148	WS-US . . . . .	Page 134
UD-2-101410-48R . . . . .	Page 151	WCH-1524 . . . . .	Page 123		

**Customer Service Inquiries & Freight Quote Requests:**  
[csr@nbrequipment.com](mailto:csr@nbrequipment.com)

**Quotes/Sales Inquiries:**  
[sales@nbrequipment.com](mailto:sales@nbrequipment.com)

*In NBR's pursuit to provide our customers with the latest in product innovations, the information contained within may not be totally current. Neither can NBR be responsible for any printing or typographical errors. If you are in doubt, please feel free to check out our website or call customer service at (609) 642-8389 ext. 109.*



# **A SNEAK PEEK AT NBR'S NEW WAREHOUSE!!!**



**COMING SOON**

**NEW AND MODERN WAREHOUSE**



**EXPANDING...TO BETTER SERVE YOU!!!**



Headquartered in Central New Jersey, NBR Equipment is your trusted and reliable source for quality commercial foodservice equipment. We welcome all dealers/distributors to visit our stocked warehouse facility to learn more about our vast product base. We are excited to get our new warehouse up and running soon!

Customer Service Contacts:  
**(609) 642-8389 ext. 109**  
**[csr@nbrequipment.com](mailto:csr@nbrequipment.com)**

Follow us on Social Media to stay up to date on our latest products and all things foodservice!

Just search for ***NBR Equipment***



**(609) 642 - 8389 | [SALES@NBREQUIPMENT.COM](mailto:SALES@NBREQUIPMENT.COM) | [WWW.NBREQUIPMENT.COM](http://WWW.NBREQUIPMENT.COM)**  
**NBR EQUIPMENT, 10 ABEEL ROAD, CRANBURY, NJ 08512**