



MODEL TECONV-H-XX

MOBILE HORIZONTAL CONVEYOR

GENERAL DESCRIPTION

The TUCS MOBILE HORIZONTAL CONVEYOR is designed in sections to move packaged product to a designated area. Conveyor lengths, widths and heights are designed per Kitchen Consultant floor plans.



Tucs Model TECONV-H-XX

CERTIFICATIONS

NSF/ANSI-169, ANSI/UL-763



TUCS Equipment, Inc.
755 County Road 18 S. • Princeton MN 55371
Phone 763-574-7475 Fax 763-574-7472
www.tucsequipment.com

ITEM NO.

PROJECT

QUANTITY

AIA NO.

CONSTRUCTION & FEATURES

Stainless steel construction ■ Mounted on 4 legs with locking casters ■ One (1) gear motor (HP varies by length of conveyor) ■ Easy to clean modular plastic belting

OPTIONS

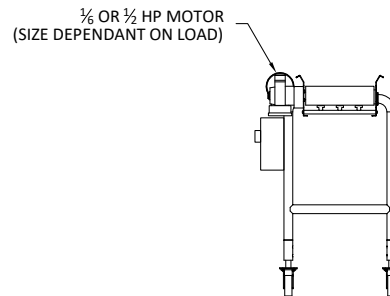
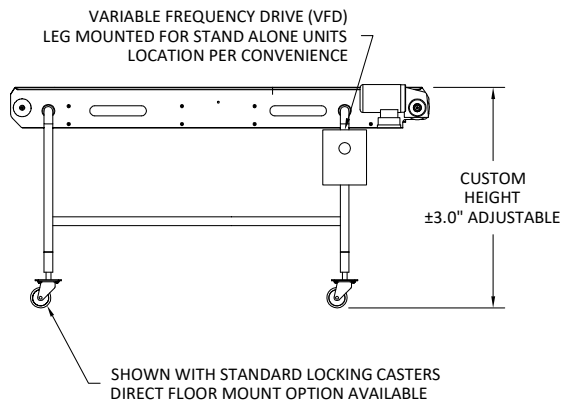
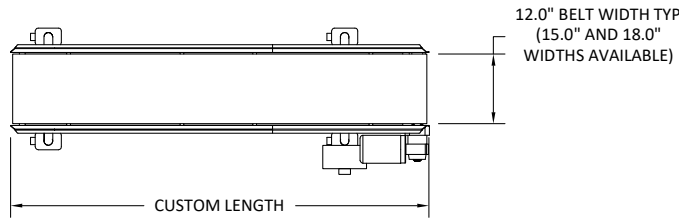
- Adjustable height legs per consultant's specs
- Inlet height, discharge height
- Swivel chute discharge
- With or without grips

MODEL TECONV-H-XX
MOBILE HORIZONTAL CONVEYOR

Scan this QR code with your smart phone to visit our website for more information.



TUCS MODEL TECONV-H-XX
HORIZONTAL CONVEYOR



NOTES:

1. MOTOR PLACEMENT SHOWN IS TYPICAL. OPPOSITE SIDE OPTION AVAILABLE.
2. HEIGHT, WIDTH AND LENGTH DETERMINED BY CUSTOMER REQUIREMENTS.
3. BELTING TYPE DETERMINED BY CUSTOMER REQUIREMENTS.
4. 12' STANDARD LENGTH CORD WITH PLUG AND MATCHING RECEPTACLE INCLUDED WITH LEG MOUNTED VFD.

ELECTRICAL REQUIREMENTS LEG MOUNTED VFD (1 PHASE/60 HZ)				
VOLTS	AMPS @ 1/8 HP	AMPS @ 1/2 HP	AMPS @ 3/4 HP	AMPS @ 1 HP
120	3.7	8.8	12.0	16.0
208/230	2.3	5.5	7.5	10.0

ELECTRICAL REQUIREMENTS PANEL MOUNTED VFD (3 PHASE/60 HZ)				
VOLTS	AMPS @ 1/8 HP	AMPS @ 1/2 HP	AMPS @ 3/4 HP	AMPS @ 1 HP
208	1.0	2.2	3.7	4.8
230	0.9	2.0	3.2	4.2
460	0.5	1.0	1.6	2.1