



MODEL TECONV-L75-XX

MOBILE 75° LIFT CONVEYOR

GENERAL DESCRIPTION

The TUCS LIFT CONVEYOR is designed to rapidly raise pouches or casings from packaging level to an elevated discharge height. Floating trapping design gently traps flexible lay flat pouch package for positive lift. Used for pouches from 8 ounces to 2 gallons.



Tucs Model TECONV-L75-XX

CERTIFICATIONS

NSF/ANSI-169, ANSI/UL-763



TUCS Equipment, Inc.
755 County Road 18 S. • Princeton MN 55371
Phone 763-574-7475 Fax 763-574-7472
www.tucsequipment.com

ITEM NO.

PROJECT

QUANTITY

AIA NO.

CONSTRUCTION & FEATURES

304L stainless steel construction ■ Mounted on 4 legs with locking casters ■ Two (2) 1/6 HP gear motors ■ Easily cleaned modular plastic belting

OPTIONS

- Incline angle: 75°, other custom angles available
- Inlet height, discharge height
- Infeed Extension
- Remote Control Box to operate other conveyors

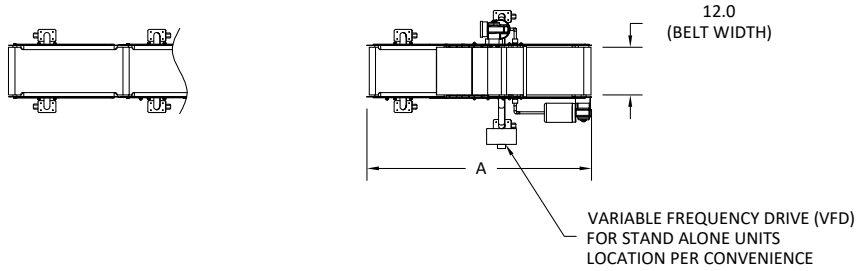
MODEL TECONV-L75-XX

MOBILE 75° LIFT CONVEYOR

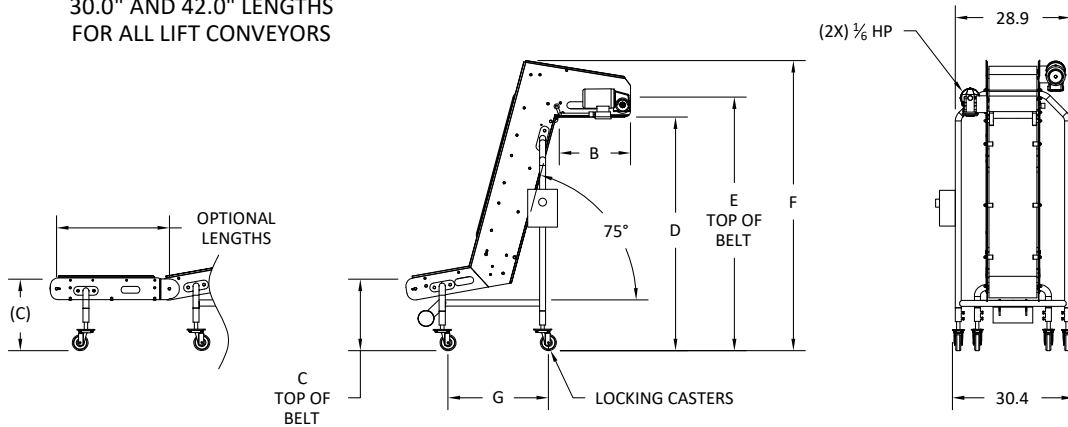
Scan this QR code with your smart phone to visit our website for more information.



TUCS MODEL TECONV-L75-XX MOBILE 75° LIFT CONVEYOR



OPTIONAL EXTENSION
AVAILABLE IN
30.0" AND 42.0" LENGTHS
FOR ALL LIFT CONVEYORS



DIMENSIONS

MODEL #	A	B	C	D	E	F	G
TECONV-L75-SN	45.4	10.5	18.6	48.1	52.9	62.0	22.6
TECONV-L75-RN	56.5	19.0	18.6	60.5	65.5	74.7	25.2
TECONV-L75-CN	ON APPLICATION						

NOTES:

1. LEG HEIGHT ADJUSTABLE $\pm 2.0"$.
2. HEIGHT ADJUSTMENT WILL EFFECT DIMENSIONS C, D, E, AND F SIMULTANEOUSLY.
3. 12' STANDARD LENGTH CORD WITH PLUG AND MATCHING RECEPTACLE INCLUDED WITH LEG MOUNTED VFD.

ELECTRICAL REQUIREMENTS LEG MOUNTED VFD (1 PHASE/60 HZ)	
VOLTS	AMPS
120	7.4
208/230	4.5

ELECTRICAL REQUIREMENTS PANEL MOUNTED VFD (3 PHASE/60 HZ)	
VOLTS	AMPS
208	2.0
240	1.8
480	0.9