



MODEL TECV-XXXS-PT

STATIONARY PACK TANK

GENERAL DESCRIPTION

The TUCS PACK TANK gently maintains particulate distribution for packing purposes. Used in commissaries where multiple cook kettles pump product into pack tank and use it as a mixing and holding vessel for packaging. The vessel has a 3" manual butterfly valve for the attachment to a Tucs volumetric piston pump or another pumping device.



Stationary Pack Tank

CERTIFICATIONS

ANSI/UL-197, NSF/ANSI-4



TUCS Equipment, Inc.
755 County Road 18 S. • Princeton MN 55371
Phone 763-574-7475 Fax 763-574-7472
www.tucsequipment.com

ITEM NO.

PROJECT

QUANTITY

AIA NO.

CAPACITIES

50, 100, 150, 200, 300, and 400-gallon working capacity

CONSTRUCTION & FEATURES

All stainless-steel construction type 316L product contact surfaces, type 304L elsewhere ■ Mounted on a stainless-steel frame with 4 adjustable legs and anchor pads ■ 3" dairy clamp outlet port standard-See options for other sizes and number of ports ■ 3" product inlet with steam deflector (specify location) ■ Hinged solid split cover ■ Slide out operator convenience step (150 gallons and larger) ■ Manually operated split lid ■ Water meter and fill hose ■ Kettle side is engraved for water or product level in 50 gallon increments ■ Flexible connectors for all specified utilities (See Note #4)

AGITATOR SYSTEM

Swept surface horizontal agitator design ■ Agitator easily removable without tools ■ Variable frequency motor speed drive ■ Continuously variable from 0–18 rpm ■ Reversible direction

CONTROLS

NEMA 4X control box attached to kettle below rim ■ Controls mounted right or left side of kettle per kitchen plan ■ Controls include: Start/Stop switch and VFD reversible agitator drive 0–18 RPM

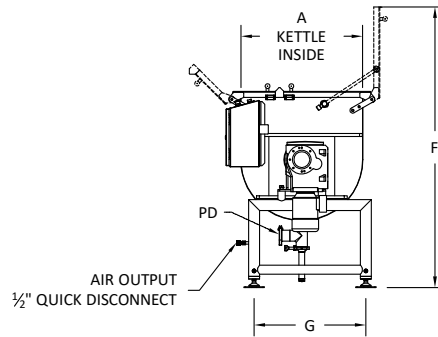
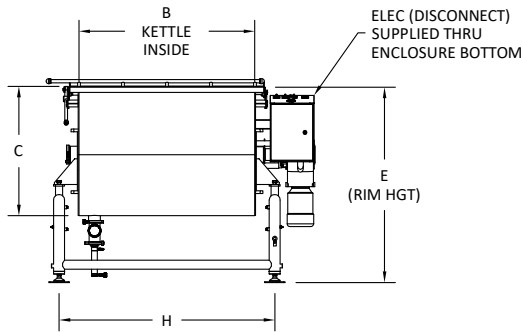
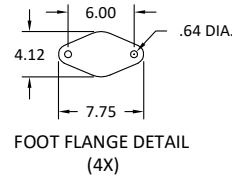
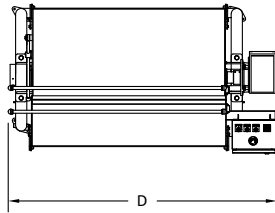
OPTIONS

- Insulated steam jacket rated at 150 PSI
- Insulated low pressure steam or hot water jacket
- Electric hot water heater with circulation pump and temperature controls
- Temperature control with readout
- Slide out convenience step (100-gallon)
- Other outlet ports: specify number, size, location and configuration (square, oval, etc.)
- 3" air-operated, flush-mounted drop-down valve
- Mounted load cell pads, caster or mezzanine mount
- Tilting (-T)
- Pneumatic safety lid and grate

MODEL TECV-XXXS-PT

STATIONARY PACK TANK

Scan this QR code with your smart phone to visit our website for more information.



DIMENSIONS

SIZE (GAL)	A	B	C	D	E	F	G	H
50	24	28	25	58	45	63	27	37
100	28	34	30	62	48	69	28	44
150	30	44	32	68	50	73	31	54
200	33	48	35	74	52	77	32	57
300	38	54	41	82	59	88	41	64
400	42	60	45	89	65	97	41	70

NOTES:

1. SHOWN WITH CONTROL ON RIGHT SIDE. LEFT SIDE AVAILABLE.
2. TILTING FEATURE AVAILABLE UPON REQUEST.
3. COMPRESSED AIR RATING SHOWN FOR KETTLE USE ONLY. INCREASED CFM REQUIRED FOR ADDITIONAL EQUIPMENT.
4. FLEXIBLE CONNECTOR HOSE (36"L) PROVIDED BY TUCS FOR CA AND ALL OPTIONS AS REQUESTED. INSTALLER MUST PROVIDE STAINLESS ELBOWS OR STREET ELBOWS WHEN MAKING FINAL CONNECTIONS.
5. LARGER SIZES AVAILABLE UPON REQUEST.
6. CUSTOMER TO PROVIDE REGULATED WATER PRESSURE NOT TO EXCEED 40-60 PSI.

UTILITY REQUIREMENTS

SIZE	COMPRESSED AIR (CA)			AGITATOR MOTOR SIZE	AGITATOR MOTOR SIZE	ELECTRIC (ELEC) 3 PH/60 Hz			PRODUCT DISCHARGE PD
	CFM	PSI	SIZE			FLA @ 208V	FLA @ 240V	FLA @ 480V	
50	1	90	1/2" QD	1/2 HP	1/2 HP	4.2A	3.7A	1.9A	3" D.C.
100	1	90	1/2" QD	1 HP	1 HP	6.0A	5.3A	2.6A	3" D.C.
150	1	90	1/2" QD	1 1/2 HP	1 1/2 HP	7.6A	6.6A	3.3A	3" D.C.
200	1	90	1/2" QD	1 1/2 HP	1 1/2 HP	7.6A	6.6A	3.3A	3" D.C.
300	1	90	1/2" QD	2 HP	2 HP	9.8A	8.6A	4.3A	3" D.C.
400	1	90	1/2" QD	2 HP	2 HP	9.8A	8.6A	4.3A	3" D.C.

RECOMMENDED CLEARANCES (RIGHT HAND KETTLE)

RIGHT SIDE	24"
BACK SIDE	18"
LEFT SIDE	12"

1/18/2021

Due to continuous improvements, specifications subject to change without notice.

© 2021 TUCS Equipment. All Rights Reserved. Printed in the USA.